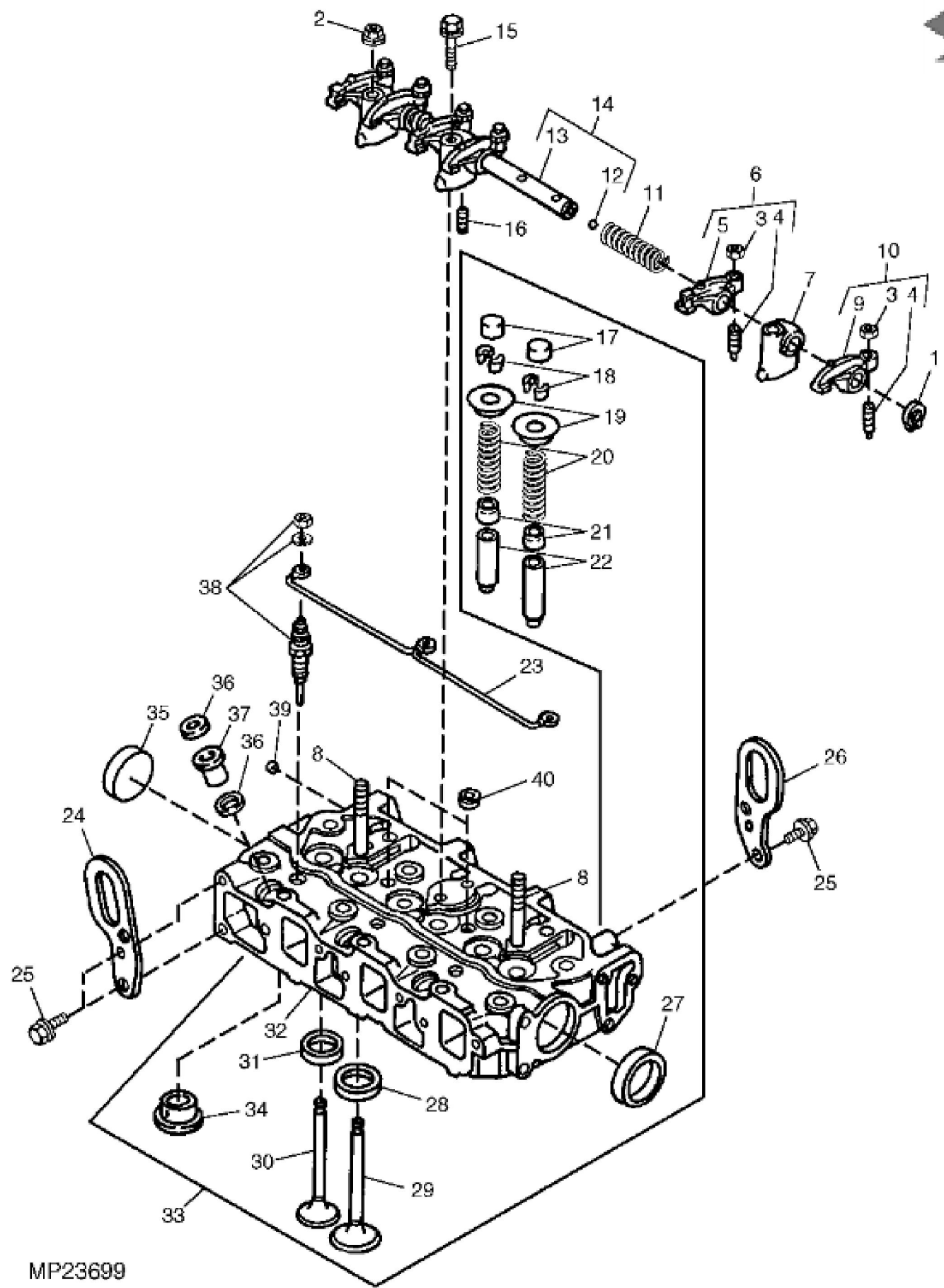


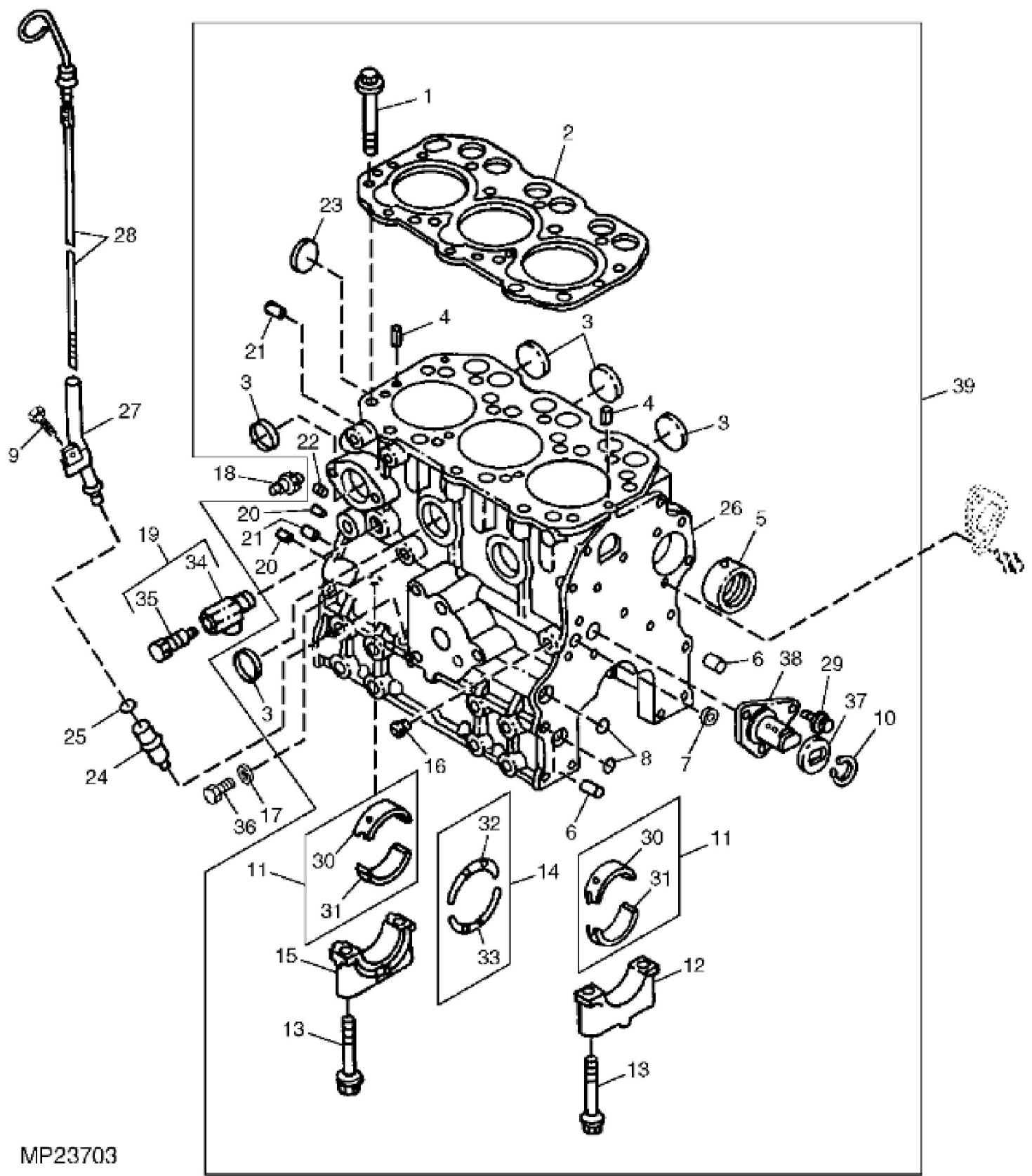
KEY	PART NO.	PART NAME	QTY	REMARKS	
1	CH10061	RIVET	4		
2	M807374	SCREW	4	(SUB FOR M87839)	
3	M805710	CAP	1	OIL FILLER (SUB FOR CH10332)	
4	M805711	PACKING	1	(SUB FOR CH15414, THIS APPLICATION)	
5	CH10348	NUT	2		
6	CH10568	PACKING	2		
7	.....	VALVE COVER	1	(ORDER AM100734)	
8	M87854	ENGINE CYLINDER HEAD GASKET	1	CYLINDER HEAD COVER	
9	M805697	GASKET	1	BREATHER BAFFLE (SUB FOR M87838)	
10	M87837	DEFLECTOR	1	BREATHER BAFFLE	
11	M87840	FITTING	1		
12	AM100734	VALVE COVER	1		
13	CH15409	HOSE	AR		



MP23699

KEY	PART NO.	PART NAME	QTY	Serial No.	REMARKS
1	M87818	SNAP RING	2		
2	14M7298	FLANGE NUT	2		M8
3	14M7194	NUT	6		M6
4	M87841	SCREW	6		
5	.....	ROCKER ARM	3		EXHAUST, (ORDER AM100736)
6	AM100736	ARM	3		EXHAUST
7	M87891	SUPPORT	3		(ROCKER ARM)
8	M87836	STUD	2		(ARM SUPPORT)
9	.....	ROCKER ARM	3		INTAKE, (ORDER AM100735)
10	AM100735	ARM	3		INTAKE ASSY
11	M87892	SPRING	2		
12	400R	BALL	2		
13	.....	SHAFT	1		ROCKER ARM ASSY, (ORDER AM100749)
14	AM100749	ROCKER ARM SHAFT	1		
15	CH19101	BOLT	1		
16	M87893	SCREW	1		5X16
17	CH12585	CAP	6		VALVE HEAD
18	AM100828	RETAINER KIT	6		(PKG OF 2, BOTH SIDES), VALVE RETAINER, (SUB FOR (2) CH10054)
19	M87835	HOLDER	6		SPRING
20	M87834	SPRING	6		
21	CH10346	SEAL	3		VALVE
22	M87863	GUIDE	6		
23	M87920	ELEC. CONNECTOR TERMINAL	1		GLOW PLUG
24	MIU800461	BRACKET	1	____-XXXXXX	(SHOWN) (SUB FOR M800066)
24	M96527	BRACKET	1	XXXXXX-____	3TNA72C-EUJ2F ENGINE
25	CH19780	BOLT	3		OIL PAN
26	MIU800461	BRACKET	2		(SUB FOR M800066)
27	CH16751	PLUG	2		
28	M87829	VALVE SEAT INSERT	3		INTAKE
29	M87832	INTAKE VALVE	3		INTAKE
30	M87833	VALVE	3		EXHAUST
31	M87830	VALVE SEAT INSERT	3		EXHAUST
32	.....	CYLINDER HEAD	1		(ORDER AM101398)

KEY	PART NO.	PART NAME	QTY	Serial No.	REMARKS
33	AM101398	CYLINDER HEAD	1		(INCLUDES (3) M89134, M87831, (2) CH16747, (2) M87836 AND (2) 14M7298)
34	.....	PLUG	3		(ORDER AM101398)
35	CH16751	PLUG	1		
36	M89135	GASKET	6		FUEL INJECTION NOZZLE
37	M89134	PACKING	3		FUEL INJECTION NOZZLE
38	M87919	GLOW PLUG	3		
39	M87831	PLUG	1		5X8
40	CH16747	PLUG	2		TAPER
40	15H559	PIPE PLUG	2		1/4", 3TNA72C-EUJ2F ENGINE



MP23703

Thank you so much for reading.  
Please click the “Buy Now!”  
button below to download the  
complete manual.



After you pay.

You can download the most  
perfect and complete manual in  
the world immediately.

Our support email:

[ebooklibonline@outlook.com](mailto:ebooklibonline@outlook.com)