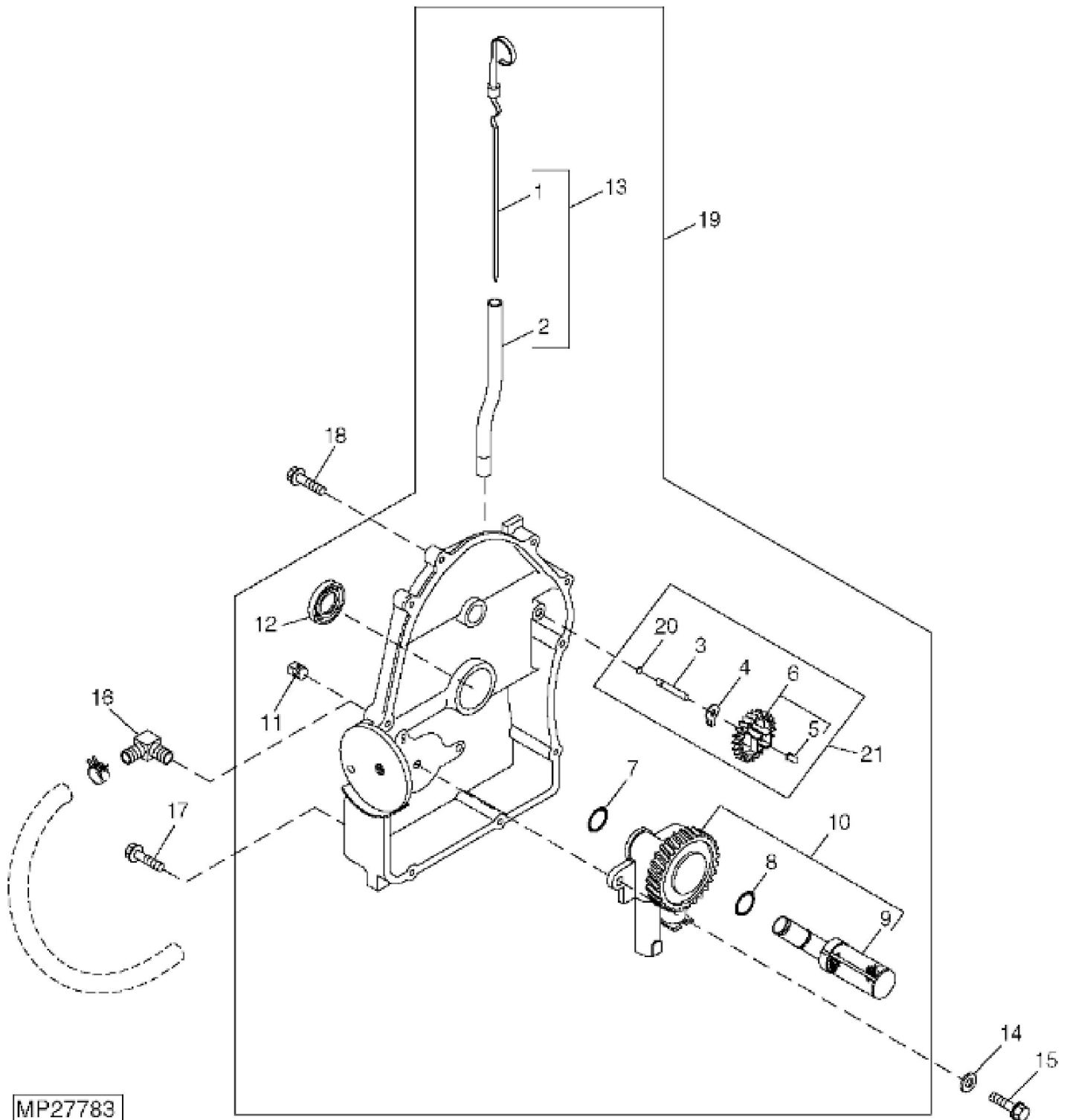


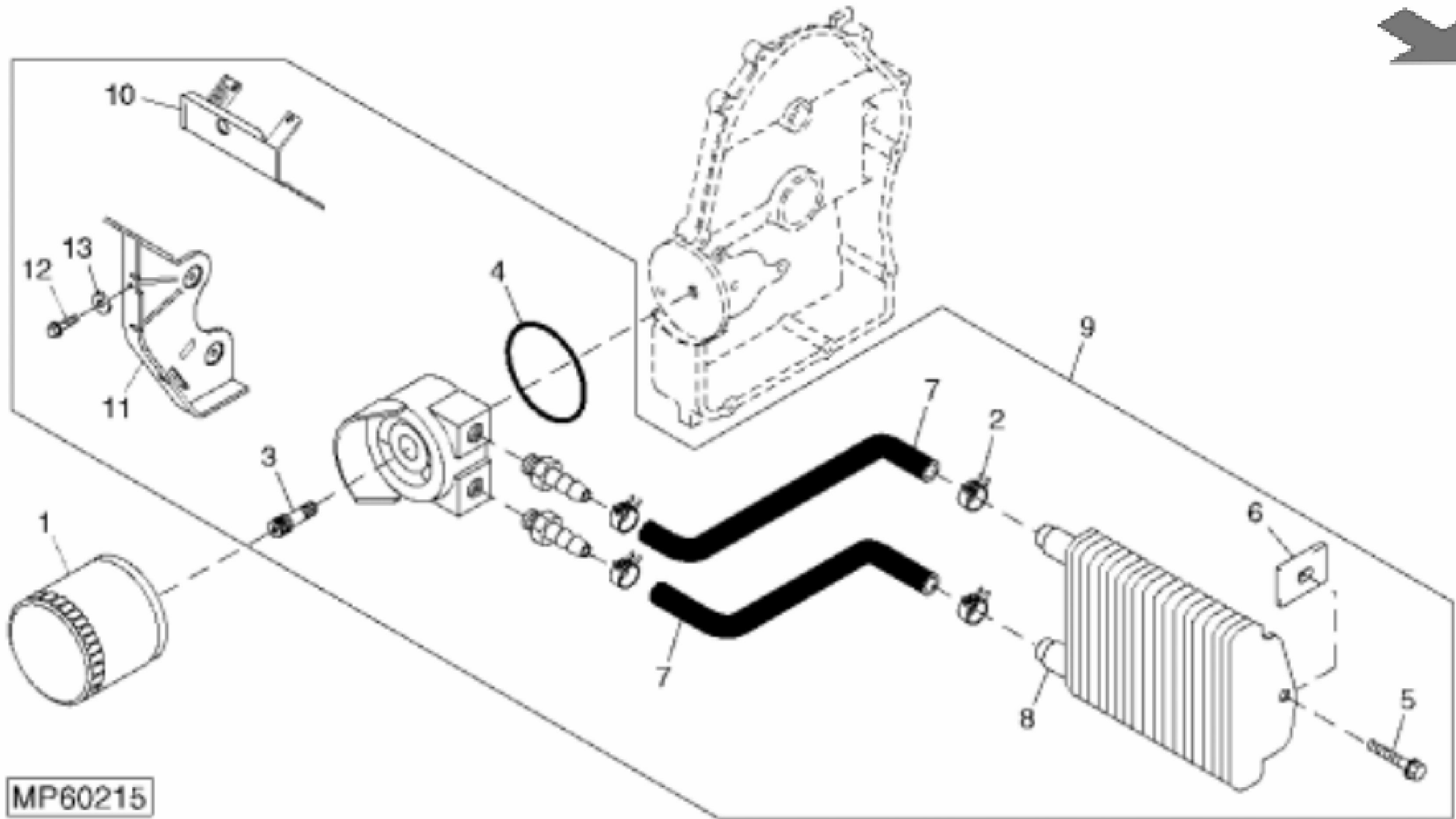
MP20972

KEY	PART NO.	PART NAME	QTY	REMARKS
1	M93483	SCREW	2	
2	MIU13121	PLATE	1	SUB FOR M132393 or MIU11930
3	37M7090	SCREW	AR	M6 X 16
4	M132387	DEFLECTOR	1	NLA; ORDERMIU13222
5	M145181	DEFLECTOR	1	(SUB FOR M132394 OR M134456)
6	MIU11261	PLATE	1	(SUB FOR M140026)
7	M134922	DEFLECTOR	1	
8	MIU11261	PLATE	1	(SUB FOR M140088)
9	19M7373	CAP SCREW	2	M5 X 20
10	MIU14033	SCREW	5	16M
11	M132384	SCREW	1	
12	M133099	BOLT KIT	1	
13	M132383	NUT	3	
13	M132381	NUT	2	
14	M125026	CLIP	4	
15	37M7090	SCREW	4	M6 X 16
16	AM129636	PANEL KIT	2	NLA; (SUB FOR M137507) (INCLUDES (4) M125026 AND (4) 37M7090)
17	AM129714	HOUSING	1	NLA



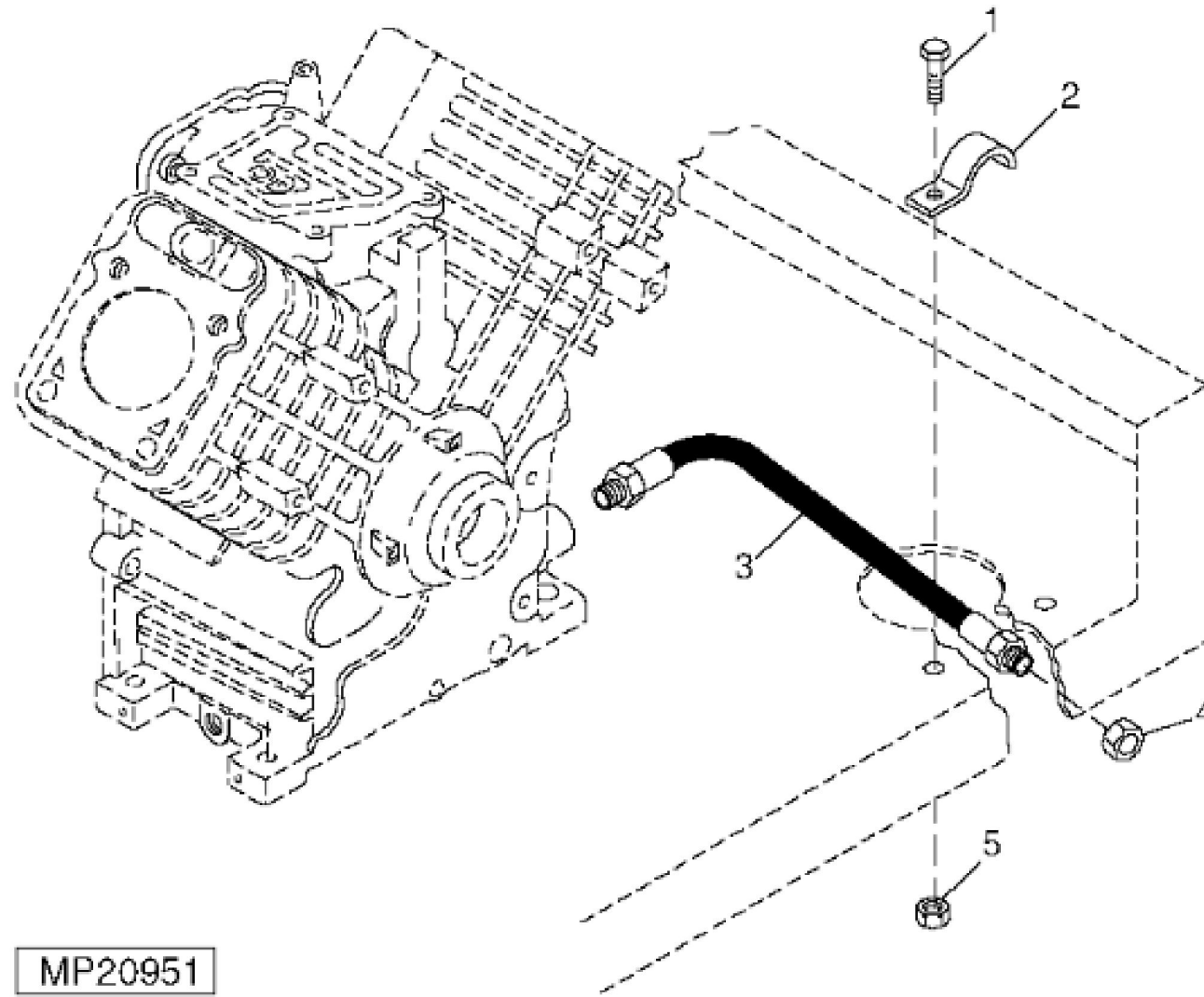
MP27783

KEY	PART NO.	PART NAME	QTY	REMARKS
1	M145200	DIPSTICK	1	(ORDER AM131427)
2	M145201	DIPSTICK TUBE	1	(ORDER AM131427)
3	SHAFT	1	(ORDER AM124980)
4	M150547	RETAINER	1	ST ET13880
5	PIN	1	ORDER AM124981
6	AM124981	GEAR KIT	1	Governor
7	M132346	O-RING	1	
8	M132347	O-RING	1	
9	M132348	OIL PUMP	1	USE WITH MIA10792
10	MIA10792	OIL PUMP	1	ORDER MIA12269; SUB FOR AM124982; INCLUDES M132348
10	MIA12269	OIL PUMP	1	
11	15H558	PIPE PLUG	2	1/8"
12	MIU11541	SEAL	1	(SUB FOR M84340)
13	AM131427	DIPSTICK	1	
14	M93418	WASHER	2	
15	37M7091	SCREW	2	M6 X 25
16	M43285	ELBOW FITTING	1	(SUB FOR M141730)
17	M131238	SCREW	9	ORDER 19M8318
18	M131239	SCREW	1	ORDER 19M8318
18	19M8318	SCREW	10	M8 X 45
19	AM124980	PLATE KIT	1	

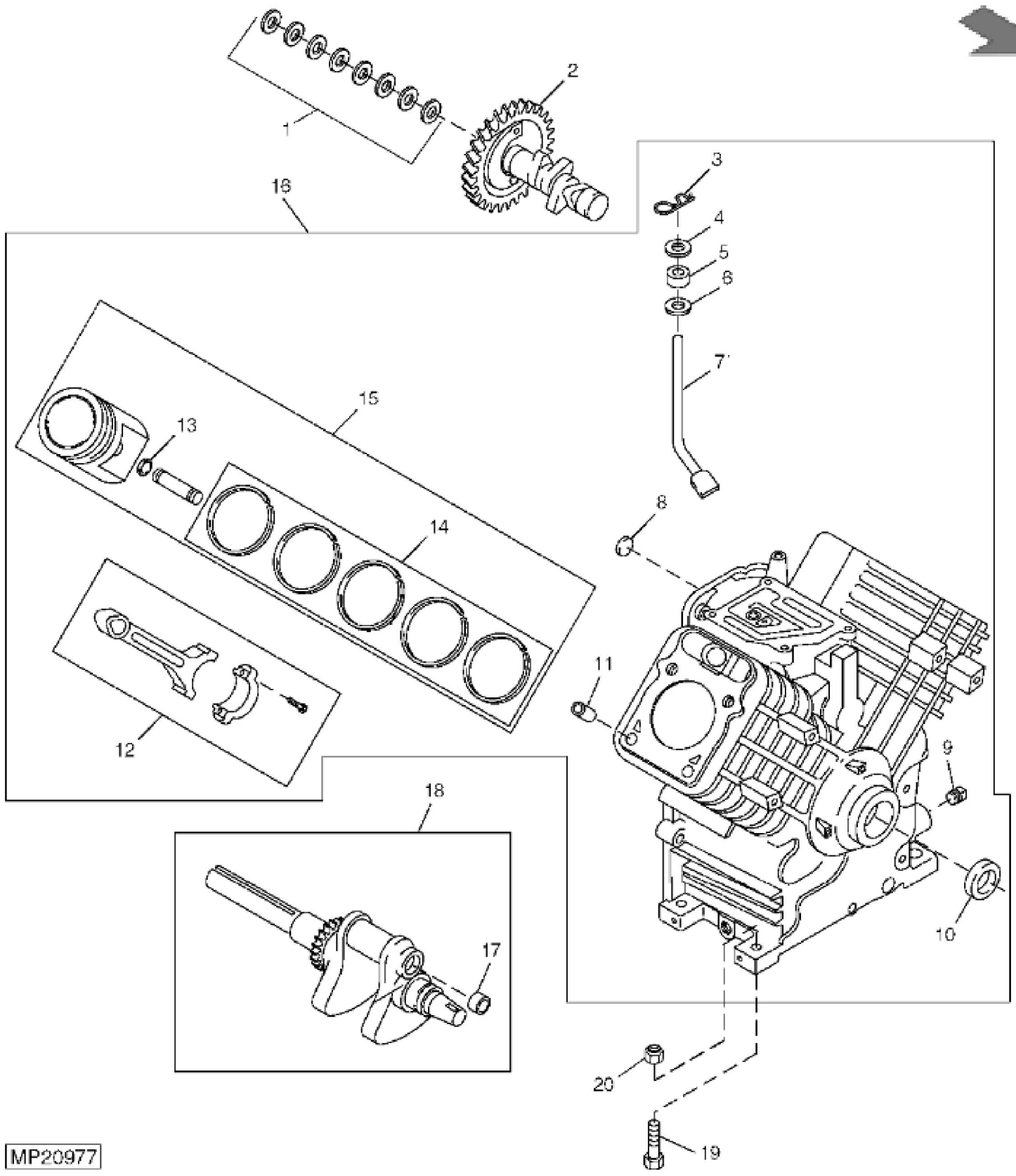


MP60215

KEY	PART NO.	PART NAME	QTY	REMARKS
1	AM125424	OIL FILTER	1	
2	MIU13201	CLAMP	4	ORDER TY22462; (SUB FOR M133060 OR M146556)
2	TY22462	CLAMP	4	
3	M141728	THREADED NIPPLE	1	USE WITHM141727
3	M138269	THREADED NIPPLE	1	USE WITH AM125401
4	M145173	O-RING	1	USE WITHM141727; SUB FOR M141729 OR M143345
4	M133063	O-RING	1	USE WITHAM125401
5	M133058	CAP SCREW	2	
6	M132383	NUT	2	
7	BULK HOSE	2	MAKE FROM TY22502; CUT TO LENGTH
8	M141727	OIL COOLER	1	ORDER MIU11509
8	MIU11509	OIL COOLER	1	SUB FOR AM125401 APPL
9	AM131278	KIT	1	SUB FOR AM129629; Oil Cooler
10	M134922	DEFLECTOR	1	
11	MIU11261	PLATE	1	SUB FOR M140088
12	19M7373	CAP SCREW	AR	M5 X 20
13	24M7087	WASHER	AR	5.500 X 10 X 1 mm
..	M133065	LABEL	1	Oil Cooler
..	M133064	LABEL	1	Oil Sentry



KEY	PART NO.	PART NAME	QTY	REMARKS	
1	19H1948	CAP SCREW	1	1/4" X 3/4"	
2	TCU10056	CLAMP	1	NLA	
3	TCU10055	HOSE	1	NLA	
4	TCU10057	FITTING	1	NLA	
5	K40001	LOCK NUT	1	6.350 mm	



MP20977

Thank you so much for reading.
Please click the “Buy Now!”
button below to download the
complete manual.



After you pay.

You can download the most
perfect and complete manual in
the world immediately.

Our support email:

ebooklibonline@outlook.com