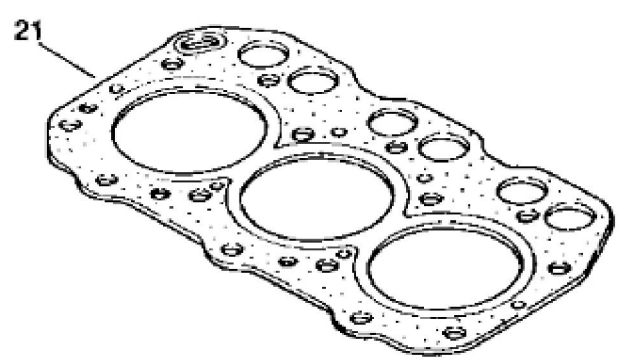
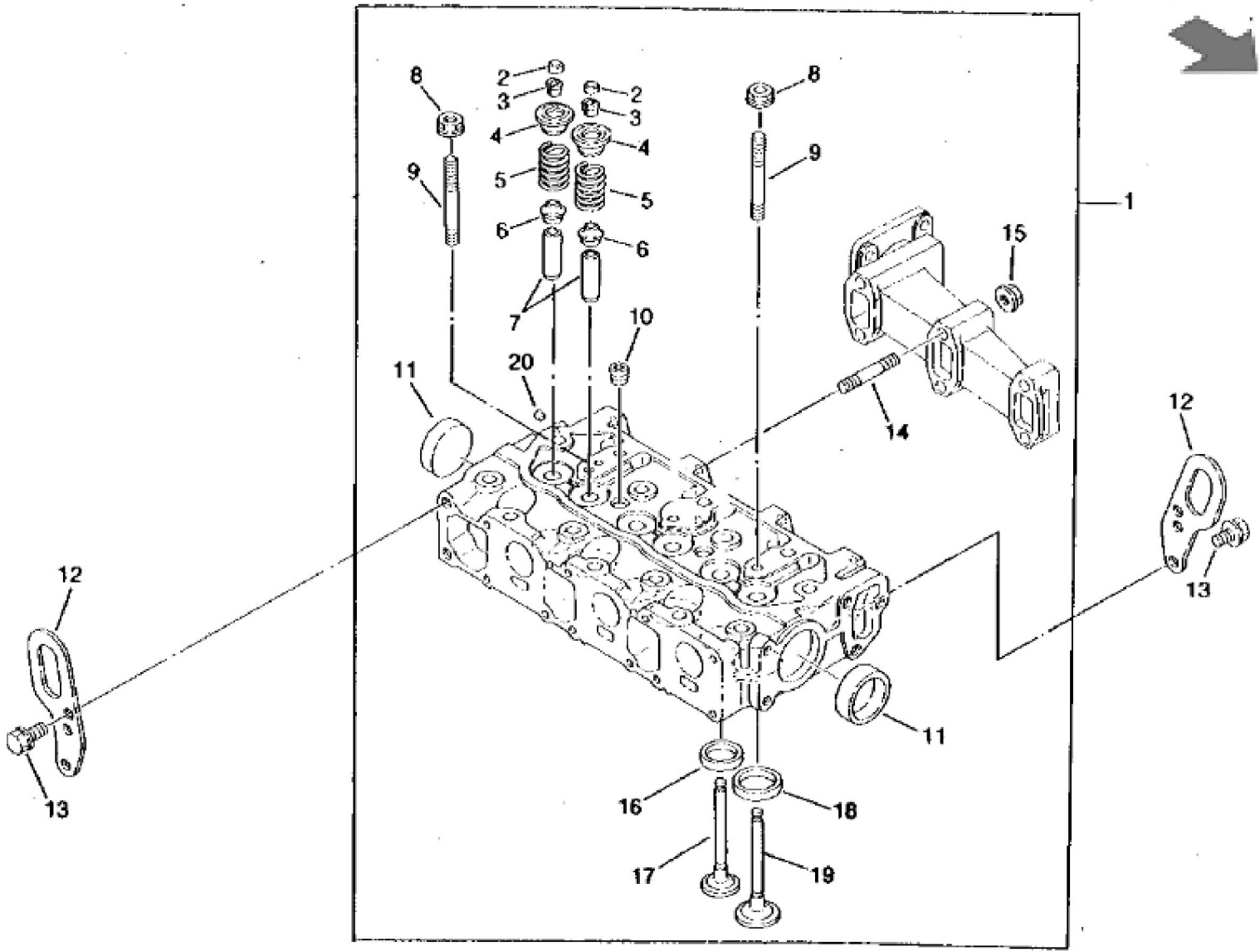


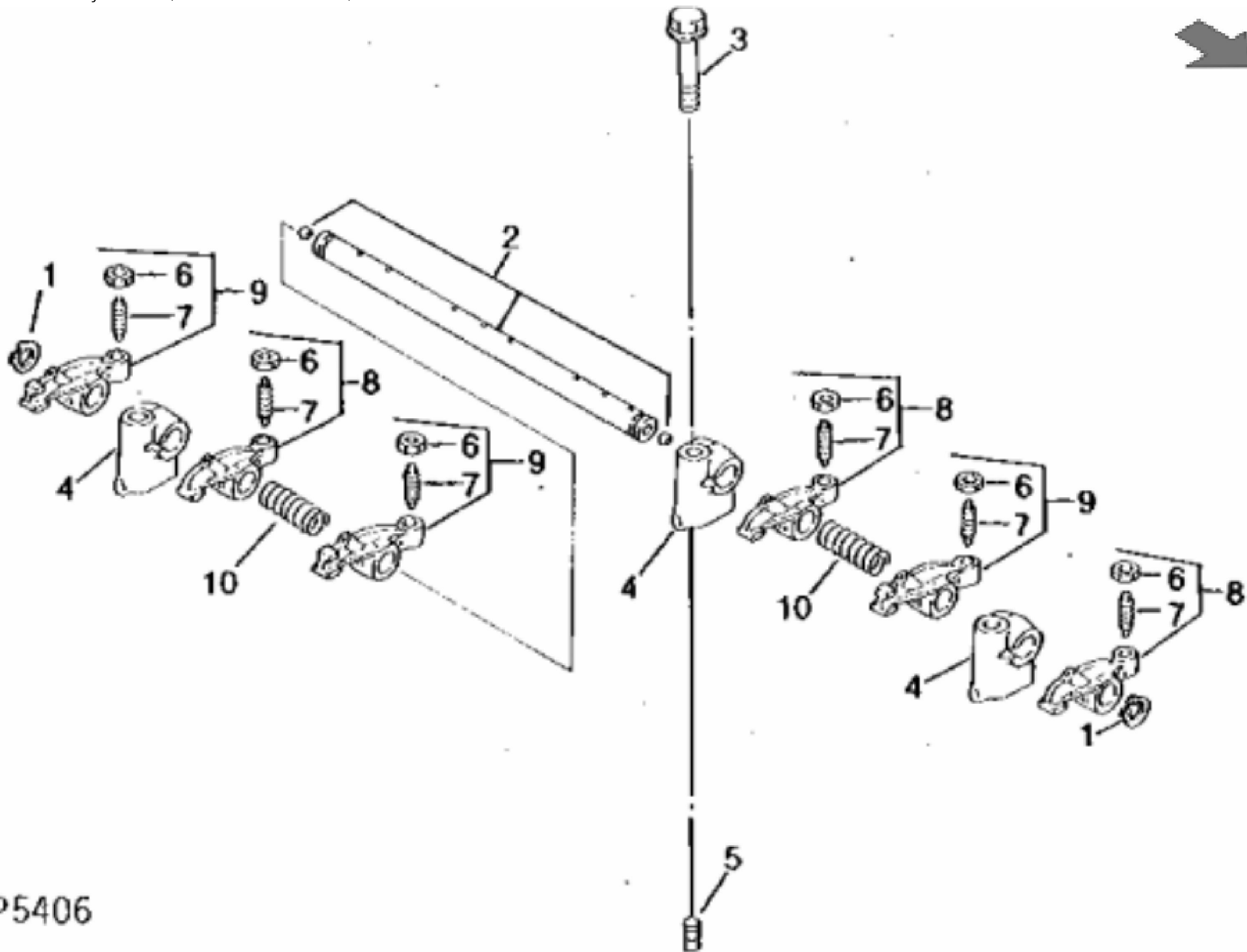
MP5404

KEY	PART NO.	PART NAME	QTY	Serial No.	REMARKS
1	AM876095	CYLINDER BLOCK	1		ASSEMBLY
2	M87866	BOLT	14		CYLINDER HEAD
3	M802221	GASKET	1		
4	CH18079	SPRING PIN	2		
5	CH10641	SEAL	1		
6	M802255	PIN	2		
7	30M7023	PLUG	6		(SUB FOR CH10642)
8	CH10335	PLUG	1		
9	M802254	PIN	2		
10	M809526	SWITCH	1		OIL PRESSURE (SUB FOR CH15500)
11	AM100800	DRAIN VALVE	1		ASSEMBLY
12	M89126	GASKET	1		
13	M89125	PLUG	1		NLA
14	15H558	PIPE PLUG	1		1/8"
15	M87862	BUSHING	1		CAMSHAFT
16	M800006	PIN	2		
17	M87801	PLUG	1		
18	19M7774	SCREW	3		M6 X 12
19	M89140	SHAFT	1		IDLE GEAR
20	M89139	PLATE	1		IDLE GEAR SHAFT
21	40M7080	SNAP RING	1		SUB FOR CH16769
22	19M7774	SCREW	2		M6 X 12
23	CH10568	PACKING	2		
24	M87879	BOLT	8		CAP, MAIN BEARING
25	AM100718	BEARING KIT	4		
25	AM100732	BEARING KIT	4		(0.25 UNDERSIZE), MAIN ASSEMBLY
26	AM100719	BEARING KIT	2		
27	M802068	DIPSTICK	1		NLA
28	CH15495	GUIDE	1		DIPSTICK
29	AM100444	ISOLATOR	4		VIBRATION
..	AM875911	GASOLINE ENGINE	1	____-000477	COMPLETE (SUB AM106259)
..	AM106259	GASOLINE ENGINE	1	000478-____	(NLA) COMPLETE (SUB FOR AM106260)



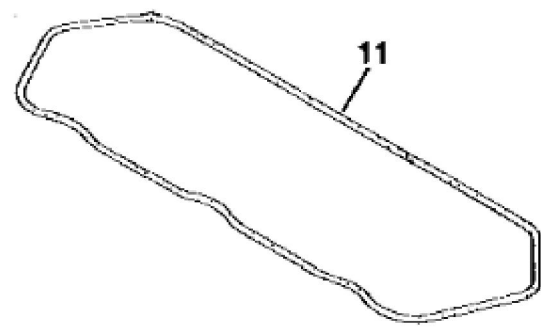
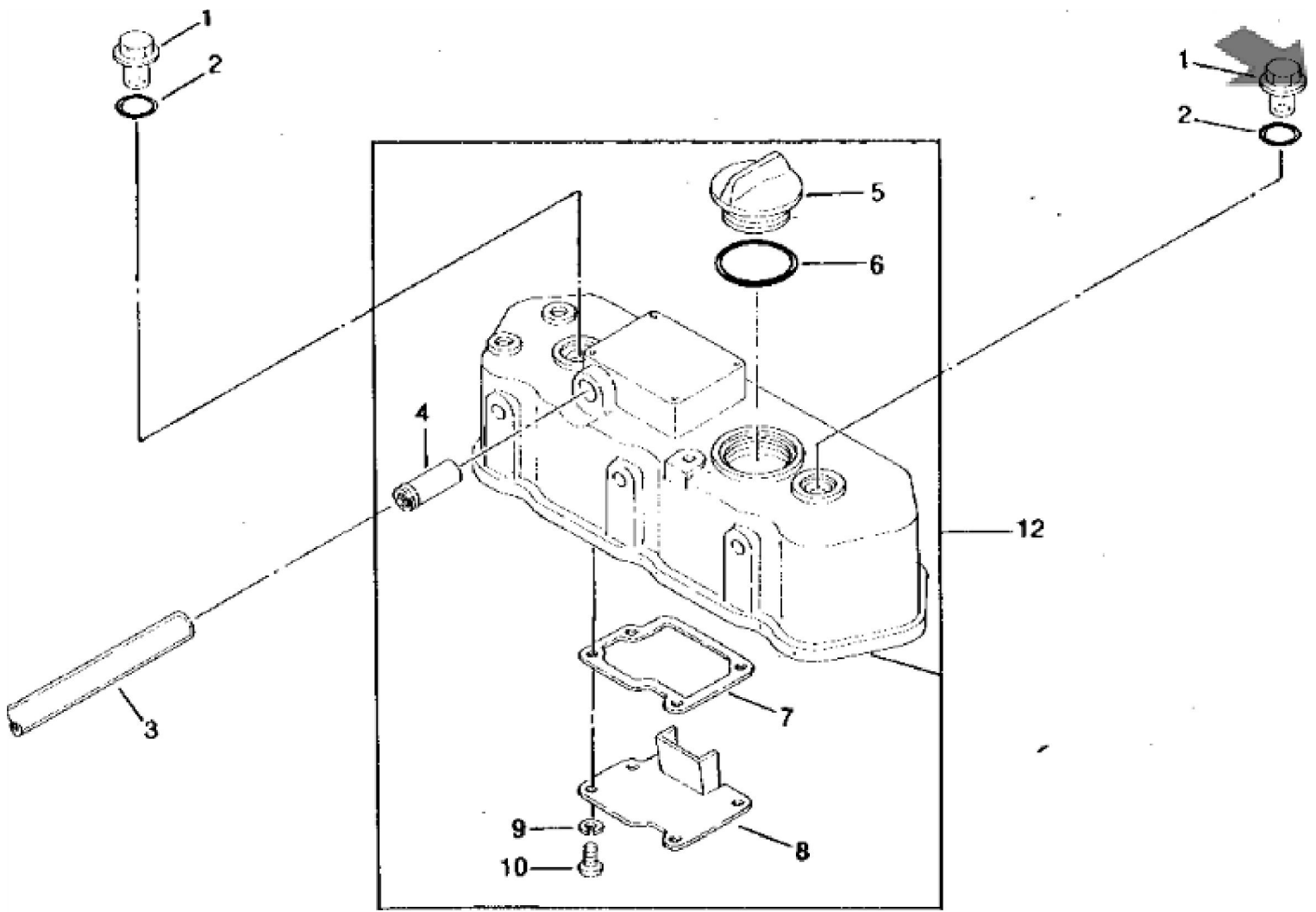
MP5405

KEY	PART NO.	PART NAME	QTY	REMARKS	
1	AM876098	CYLINDER HEAD	1	ASSEMBLY	
2	CH12585	CAP	6	VALVE HEAD	
3	AM100828	RETAINER KIT	6	VALVE RETAINER (INCLUDES (2); BOTH SIDES) (SUB FOR (2) CH10054)	
4	M87835	HOLDER	6		
5	M87834	SPRING	6	VALVE	
6	CH10346	SEAL	6	VALVE STEM (SUB FOR CH15432)	
7	M87863	GUIDE	6	VALVE	
8	14M7298	FLANGE NUT	2	M8	
9	M87836	STUD	2		
10	CH16747	PLUG	2		
11	CH16751	PLUG	2		
12	MIU800461	BRACKET	2	(SUB FOR M800066), LIFTING BRACKET	
13	CH19780	BOLT	3		
14	M89136	STUD	2		
15	14M7273	NUT	2	M8, (ALSO ORDER 12M7065 LOCKWASHER)	
16	M802227	VALVE SEAT	3	EXHAUST VALVE	
17	M802228	EXHAUST VALVE	3	EXHAUST	
18	M802226	VALVE SEAT	3	INTAKE VALVE	
19	M87832	INTAKE VALVE	3	INTAKE	
20	M87831	PLUG	1		
21	M805826	ENGINE CYLINDER HEAD GASKET	1	(BETWEEN CYLINDER HEAD AND BLOCK) (SUB FOR M802221)	



MP5406

KEY	PART NO.	PART NAME	QTY	REMARKS	
1	M87818	SNAP RING	2	(SUB FOR CH12379)	
2	AM100749	ROCKER ARM SHAFT	1	ARM ASSEMBLY (BALL PRESSED IN SHAFT)	
3	CH19101	BOLT	1		
4	M87891	SUPPORT	3		
5	M87893	SCREW	1		
6	14M7194	NUT	6	M6	
7	M87841	SCREW	6	VALVE	
8	AM100735	ARM	3	INTAKE ASSEMBLY	
9	AM100736	ARM	3	EXHAUST ASSEMBLY	
10	M87892	SPRING	2		



MP5407

Thank you so much for reading.
Please click the “Buy Now!”
button below to download the
complete manual.



After you pay.

You can download the most
perfect and complete manual in
the world immediately.

Our support email:

ebooklibonline@outlook.com