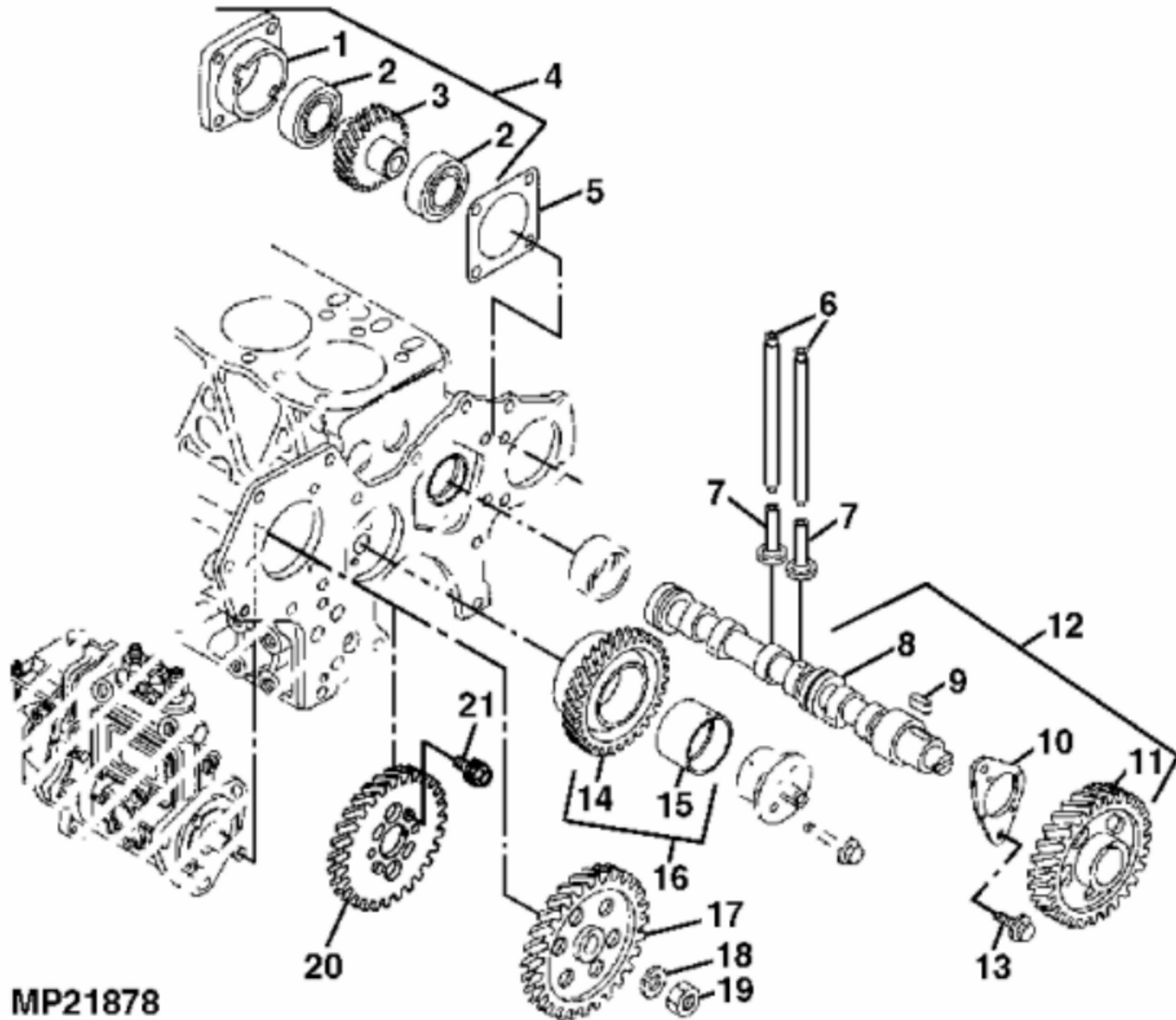
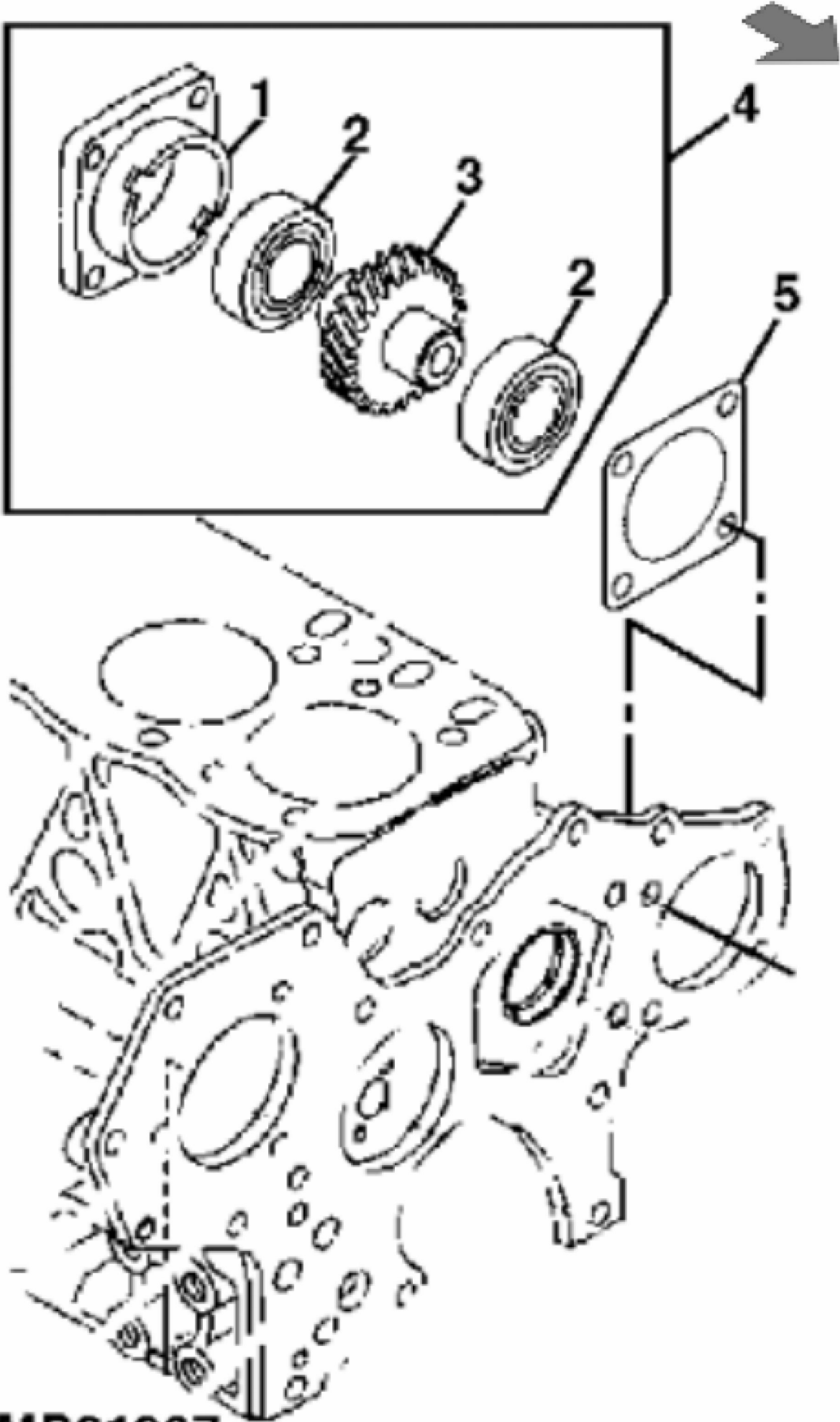


KEY	PART NO.	PART NAME	QTY	REMARKS	
1	CH10348	NUT	3		
2	CH10568	PACKING	3		
3	19M7865	SCREW	2	M8 X 16	
4	M801031	CAP	1		
5	M801033	PLATE	1		
6	M801034	O-RING	1		
7	M801032	DEFLECTOR	1		
8	M801230	GASKET	1	BREATHER	
9	M805710	CAP	1		
10	M805711	PACKING	1		
11	RG60621	COVER	1		
12	M801037	HOSE	1	BREATHER	



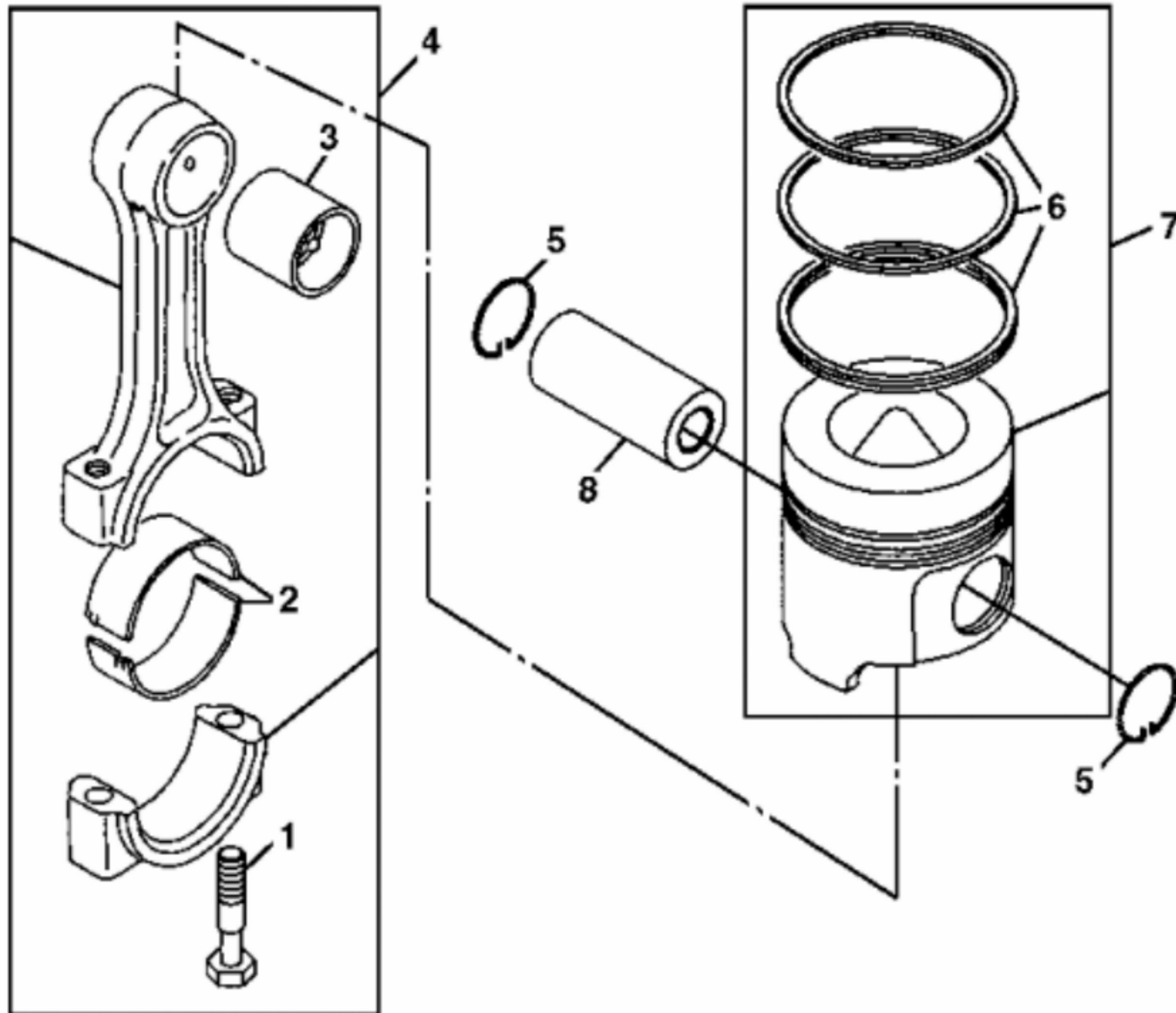
MP21878

KEY	PART NO.	PART NAME	QTY	REMARKS
1	M802618	BRACKET	1	
2	CH13505	BALL BEARING	2	
3	.....	GEAR	1	
4	AM876339	GEAR	1	
5	M805840	GASKET	1	
6	M801238	PUSH ROD	8	
7	M801046	CAM FOLLOWER	8	
8	.....	CAMSHAFT	1	
9	M801045	SHAFT KEY	1	
10	.....	THRUST BEARING	1	
11	.....	GEAR	1	
12	AM875386	CAMSHAFT	1	
13	CH19780	BOLT	2	
14	.....	GEAR	1	
15	M801050	BUSHING	1	
16	AM875315	GEAR	1	
17	M801239	GEAR	1	(ENGINE MARKED 4TNE84-JTC46/4TNE84-JTF46)
18	12M7067	LOCK WASHER	1	12 mm
19	14M7275	NUT	1	M12
20	RG60872	GEAR	1	(ENGINE MARKED 4TNE84-EJTC46/4TNE84-EJTF46)
20	M801239	GEAR	1	(ENGINE MARKED 4TNE84-EJTC46S/4TNE84-EJTF46S) (SUB FOR M809488 OR RG60870)
21	.....	BOLT	4	(ENGINE MARKED 4TNE84-EJTC46/4TNE84-EJTF46/4TNE84-EJTC46S/4TNE84-EJTF46S)



**MP21907**

KEY	PART NO.	PART NAME	QTY	REMARKS	
1	M802618	BRACKET	1		
2	CH13505	BALL BEARING	2		
3	.....	GEAR	1		
4	AM876339	GEAR	1		
5	M134962	GASKET	1		



MP18666

Thank you so much for reading.  
Please click the “Buy Now!”  
button below to download the  
complete manual.



After you pay.

You can download the most  
perfect and complete manual in  
the world immediately.

Our support email:

[ebooklibonline@outlook.com](mailto:ebooklibonline@outlook.com)