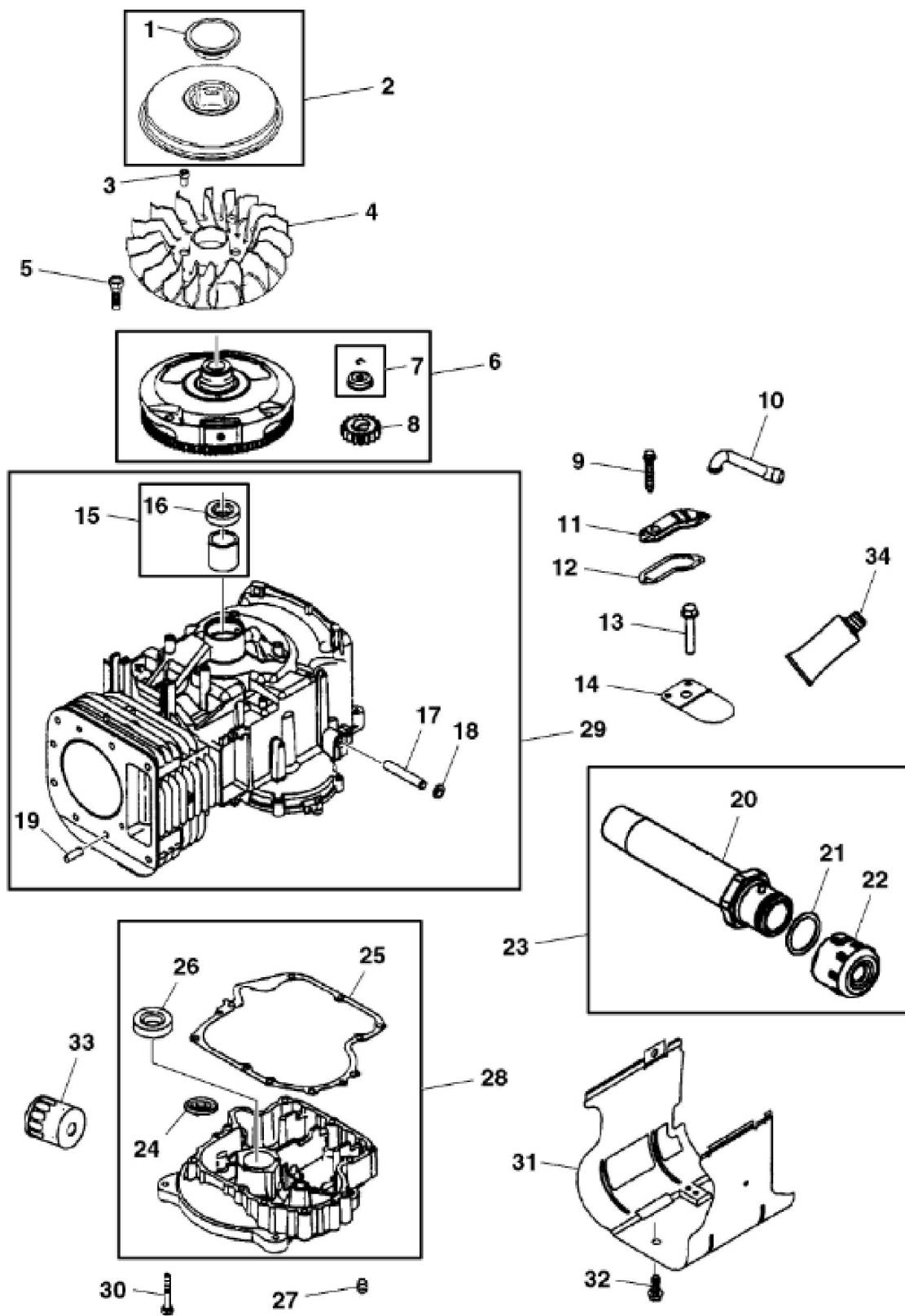


PU02956

KEY	PART NO.	PART NAME	QTY	REMARKS	
1	MIA11894	GASOLINE ENGINE	1	NLA; ORDER MIA12072; 331877-0238-G1	
1	MIA12072	GASOLINE ENGINE	1	NLA; ORDER MIA12228	
1	MIA12228	GASOLINE ENGINE	1	NLA; ORDER MIA12440; 331877-0242-G5	
1	MIA12440	GASOLINE ENGINE	1	NLA; ORDER MIA12621; MARKED 331977-0102-G6	
1	MIA11895	GASOLINE ENGINE	1	NLA; ORDER MIA12073; 331877-0240-B1	
1	MIA12073	GASOLINE ENGINE	1	NLA; ORDER MIA12227	
1	MIA12227	GASOLINE ENGINE	1	NLA; ORDER MIA12439	
1	MIA12439	GASOLINE ENGINE	1	NLA; ORDER MIA12621; MARKED 331977-0103-B2	
1	MIA12621	GASOLINE ENGINE	1	MARKED 331877-0004-G1	



KEY	PART NO.	PART NAME	QTY	Serial No.	REMARKS
1	MIU11635	PLUG	1		
2	MIA11594	SCREEN	1		
3	MIU12152	SCREW	2		Flywheel Fan; INCLUDES MIA13976
3	MIU13976	WASHER	1		
4	MIU12167	FAN	1		(Flywheel)
5	M153303	SCREW	1		
6	AM135134	FLYWHEEL	1		
6	MIA12501	FLYWHEEL	1		MARKED 331977-0102-G6; 33R877-0004-G1; or 331977-0103-B2
7	LG691265	SNAP RING	1		
8	LG693713	PINION	1		
9	M147508	SCREW	2		
10	MIU11682	TUBE	1		
11	MIU11631	COVER	1		
12	M147564	GASKET	1		
13	M147507	SCREW	2		
14	M147501	BREATHER	1		Reed
15	LG399265	BEARING	1		NLA; ORDER MIA11778
15	MIA11778	SEAL KIT	1		
16	LG391086S	SEAL	1		
17	M147497	BUSHING	1		Governor
18	LG692407	SEAL	1		Governor
19	LG690959	DOWEL PIN	2		
20	OIL TUBE	1		ORDER AM131611
21	T77932	O-RING	1		
22	M144897	CAP	1		
23	AM131611	DRAIN PLUG	1		
24	MIU12709	SCREEN	1		
25	M147513	GASKET	1		
26	MIU11958	SEAL	1		PTO Side
27	15H623	PIPE PLUG	1		3/8", (SUB FOR LG690946)
28	AM135143	RESERVOIR	1		NLA; ORDER MIA12717; INCLUDES 15H638
28	MIA12717	RESERVOIR	1		INCLUDES 15H638
29	MIA11211	CYLINDER HEAD	1		NLA; ORDER MIA12502
29	MIA12502	CYLINDER	1		

KEY	PART NO.	PART NAME	QTY	Serial No.	REMARKS	
30	LG692125	CAP SCREW	10			
31	MIU11713	SHIELD	1		Cylinder	
32	LG691693	BOLT	2			
33	AM125424	OIL FILTER	1			
34	PM37469	LIQUID GASKET	AR			
35	AM880230	VALVE KIT	2	040001-_____		

Thank you so much for reading.
Please click the “Buy Now!”
button below to download the
complete manual.



After you pay.

You can download the most
perfect and complete manual in
the world immediately.

Our support email:

ebooklibonline@outlook.com