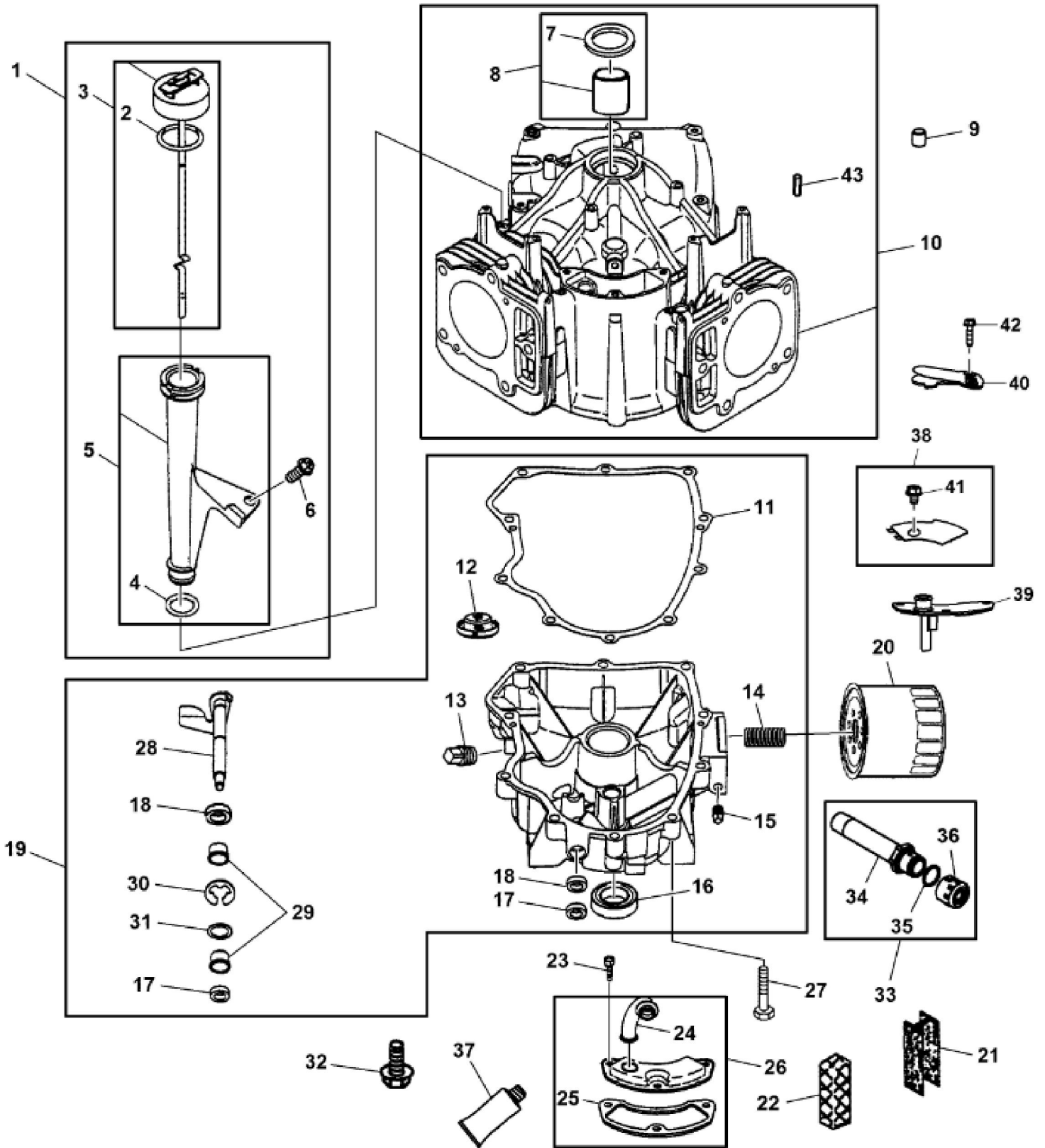


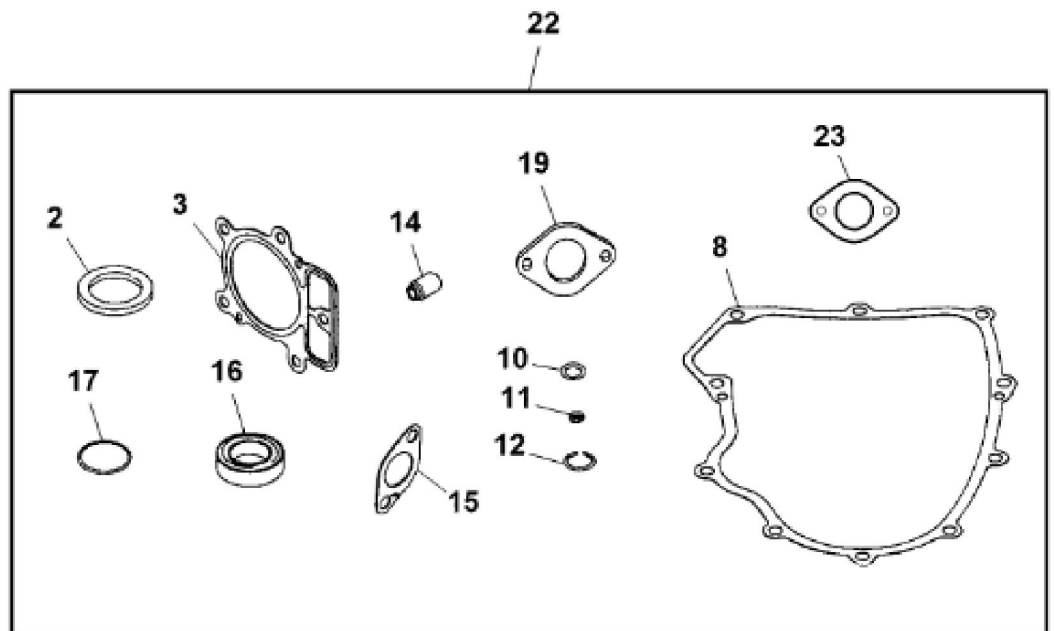
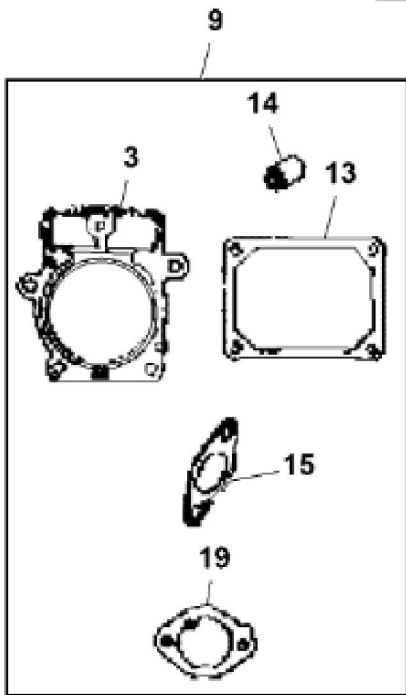
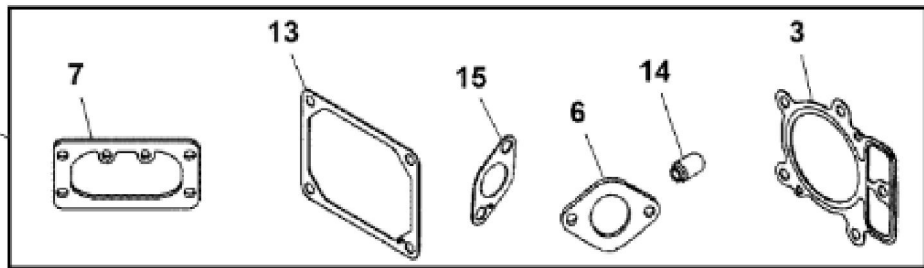
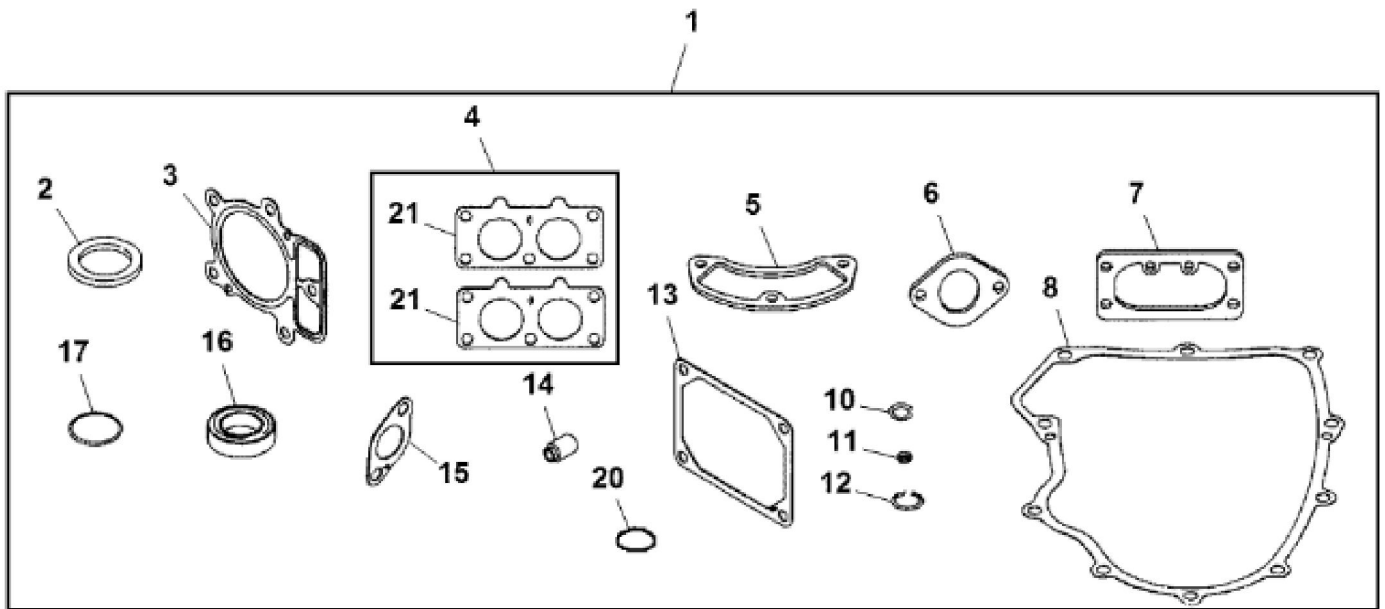
PU05786

KEY	PART NO.	PART NAME	QTY	Serial No.	REMARKS	
01	MIA11891	GASOLINE ENGINE	1		NLA; ORDER MIA13105	
01	MIA12067	GASOLINE ENGINE	1		NLA; ORDER MIA13105	
01	MIA12229	GASOLINE ENGINE	1		MARKED 407777-0282-B1; ORDER MIA13105	
01	MIA12441	GASOLINE ENGINE	1		MARKED 407777-3282-B2; ORDER MIA13105	
01	MIA12614	GASOLINE ENGINE	1	____-100000	MARKED 40R877-0002-B1; ORDER MIA13105	
1	MIA12855	GASOLINE ENGINE	1	100001-700000	MARKED 40N877-0001-B1; ORDER MIA13105	
1	MIA13105	GASOLINE ENGINE	1	700001-800000	MARKED 40N877-0018-B1; ORDER AUC10156	
1	AUC10156	GASOLINE ENGINE	1	800001-____	MARKED 40N877-0035-B1	

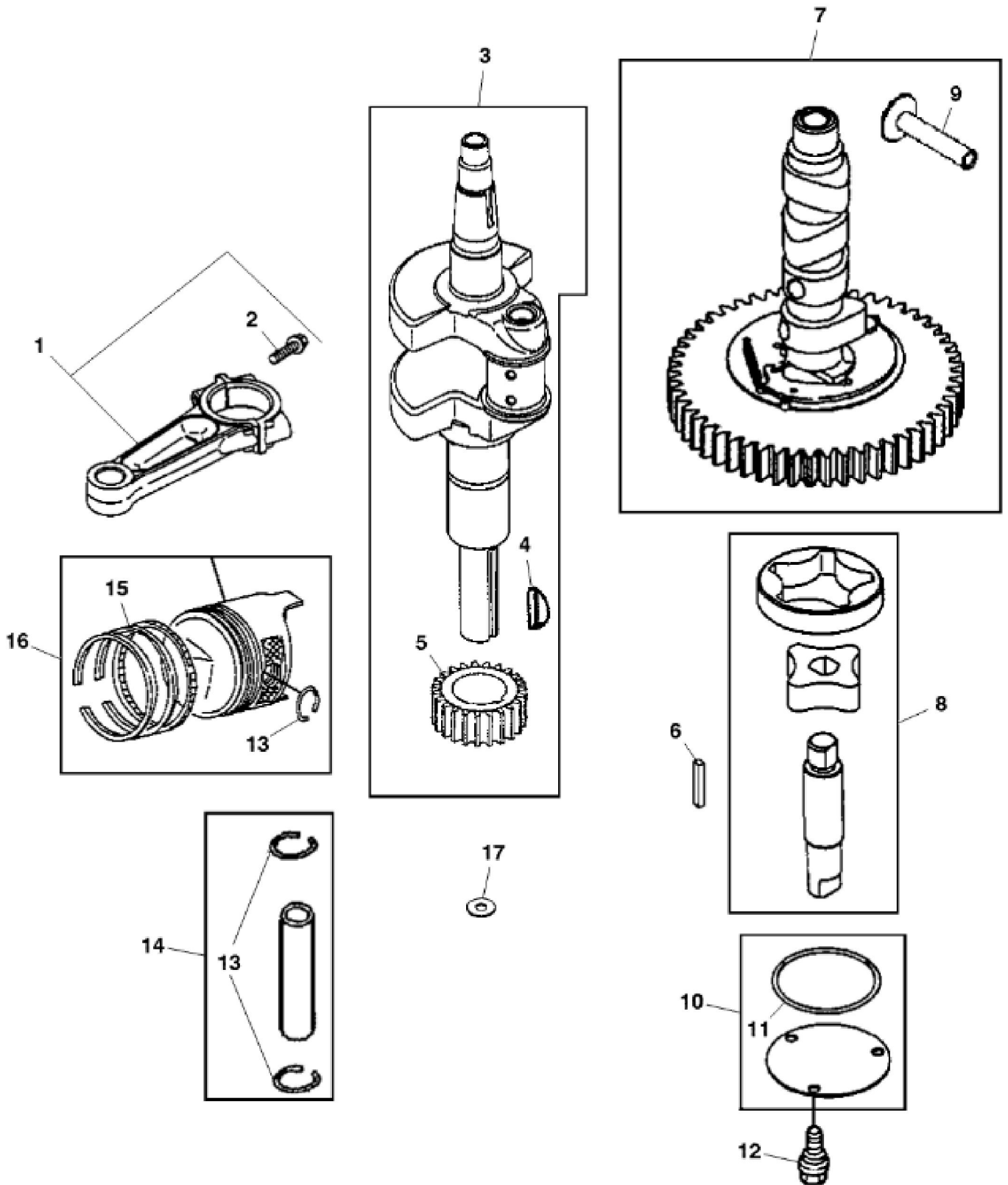


KEY	PART NO.	PART NAME	QTY	Serial No.	REMARKS
1	UC11104	DIPSTICK	1		SUB FOR LG499602
2	LG691031	O-RING	1		
3	LG691036	DIPSTICK	1		
4	LG691032	SEAL	1		
5	LG691037	OIL TUBE	1		
6	M153266	SCREW	1		
7	LG391086S	SEAL	1		
8	MIA11778	SEAL KIT	1		
9	LG690959	DOWEL PIN	6		
10	MIA11345	CYLINDER BLOCK	1		ORDER MIA12493
10	MIA12493	CYLINDER BLOCK	1		ORDER MIA13087; ALSO ORDER MIA13077, MIU14443, MIU14444, MIU14445, MIU14464 AND MIU14448
10	MIA13087	CYLINDER BLOCK	1	____-700000	MARKED 40N877-0018-B1 OR 40N877-0035-B1
10	MIA13208	CYLINDER BLOCK	1	700001-____	
11	MIU14436	GASKET	1		SUB FOR M150226 AND MIU13979
12	MIU12140	SCREEN	1		
13	LG690946	DRAIN PLUG	1		ORDER 15H623
13	15H623	PIPE PLUG	1		3/8"
13	LG692125	CAP SCREW	1		
14	LG690954	THREADED NIPPLE	1		
15	15H638	PIPE PLUG	1		1/8"
16	MIU11958	SEAL	1		
17	MIU11284	SEAL	1		Governor Shaft
18	M142281	BUSHING	1		ORDER MIU12503
18	MIU12503	BUSHING	1		
19	MIA11584	RESERVOIR	1	____-700000	INCLUDES MIU12143, MIA11464 And (3) MIU12142
19	MIA13209	RESERVOIR	1	700001-____	MARKED 40N877-0018-B1 OR 40N877-0035-B1
20	AM125424	OIL FILTER	1		
21	LG690957	RETAINER	1		
22	MIU11502	BREATHER	1		
23	LG691108	SCREW	3		
24	MIU14443	TUBE	1		SUB FOR MIU11280
25	LG690937	GASKET	1		
26	MIA10872	BREATHER	1		
27	M142896	SCREW	10		

KEY	PART NO.	PART NAME	QTY	Serial No.	REMARKS
28	LG691045	CRANK	1		Governor
29	M142282	BUSHING	2		
30	M142286	RETAINER	2		
31	M142280	WASHER	1		
32	GC00331	SCREW	4		ORDER GX24210; Engine Mounting
32	GX24210	SCREW	4		
33	AM131611	DRAIN PLUG	1		Oil Drain
34	TUBE	1		
35	T77932	O-RING	1		
36	M144897	CAP	1		
37	PM37469	LIQUID GASKET	1		
38	MIA13077	PLATE	1		
39	MIU14444	COVER	1		Breather
40	MIU14445	VALVE	1		Breather
41	MIU14464	SCREW	1		
42	MIU14448	SCREW	1		
43	UC12131	PIN	1	700001-_____	USE WITH MIA13208



KEY	PART NO.	PART NAME	QTY	REMARKS
1	AM129802	GASKET KIT	1	
2	LG391086S	SEAL	3	Oil, Magneto Side
3	M142274	GASKET	4	
4	MIU11985	GASKET	1	
5	LG690937	GASKET	1	Breather
6	LG690949	GASKET	2	Intake, Engine
7	LG691001	GASKET	2	
8	MIU14436	GASKET	2	SUB FOR MIU13979 AND M150226; Crankcase
9	MIA13050	GASKET KIT	2	MARKED 40N877-0001-B1, 40N877-0018-B1 OR 40N877-0035-B1
10	LG691032	O-RING	3	Dipstick Tube
11	M142284	SEAL	3	ORDER MIU11284; Governor Shaft
11	MIU11284	SEAL	3	
12	LG691031	O-RING	3	Dipstick
13	LG690971	GASKET	2	Rocker Cover
14	LG690968	SEAL	4	Valve
15	LG690970	GASKET	4	Exhaust
16	MIU11958	SEAL	2	PTO Side
17	MIU12153	O-RING	2	Oil Pump Cover
18	AM129803	GASKET KIT	1	Valve Overhaul
19	MIU14393	GASKET	2	MARKED 40N877-0001-B1, 40N877-0018-B1 OR 40N877-0035-B1
20	LG690589	SEAL	1	
21	LG690950	GASKET	2	
22	MIA13049	ENGINE CYLINDER HEAD GASKET	1	MARKED 40N877-0001-B1, 40N877-0018-B1 OR 40N877-0035-B1
23	MIU14394	GASKET	1	



Thank you so much for reading.
Please click the “Buy Now!”
button below to download the
complete manual.



After you pay.

You can download the most
perfect and complete manual in
the world immediately.

Our support email:

ebooklibonline@outlook.com