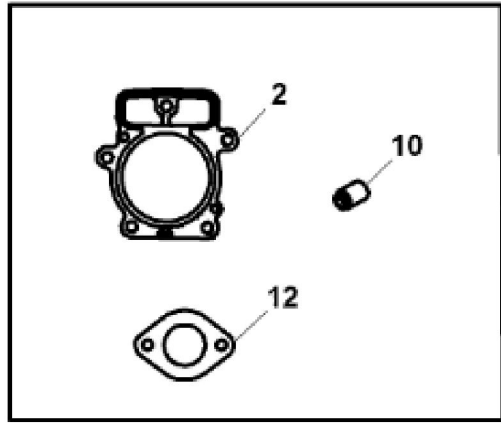
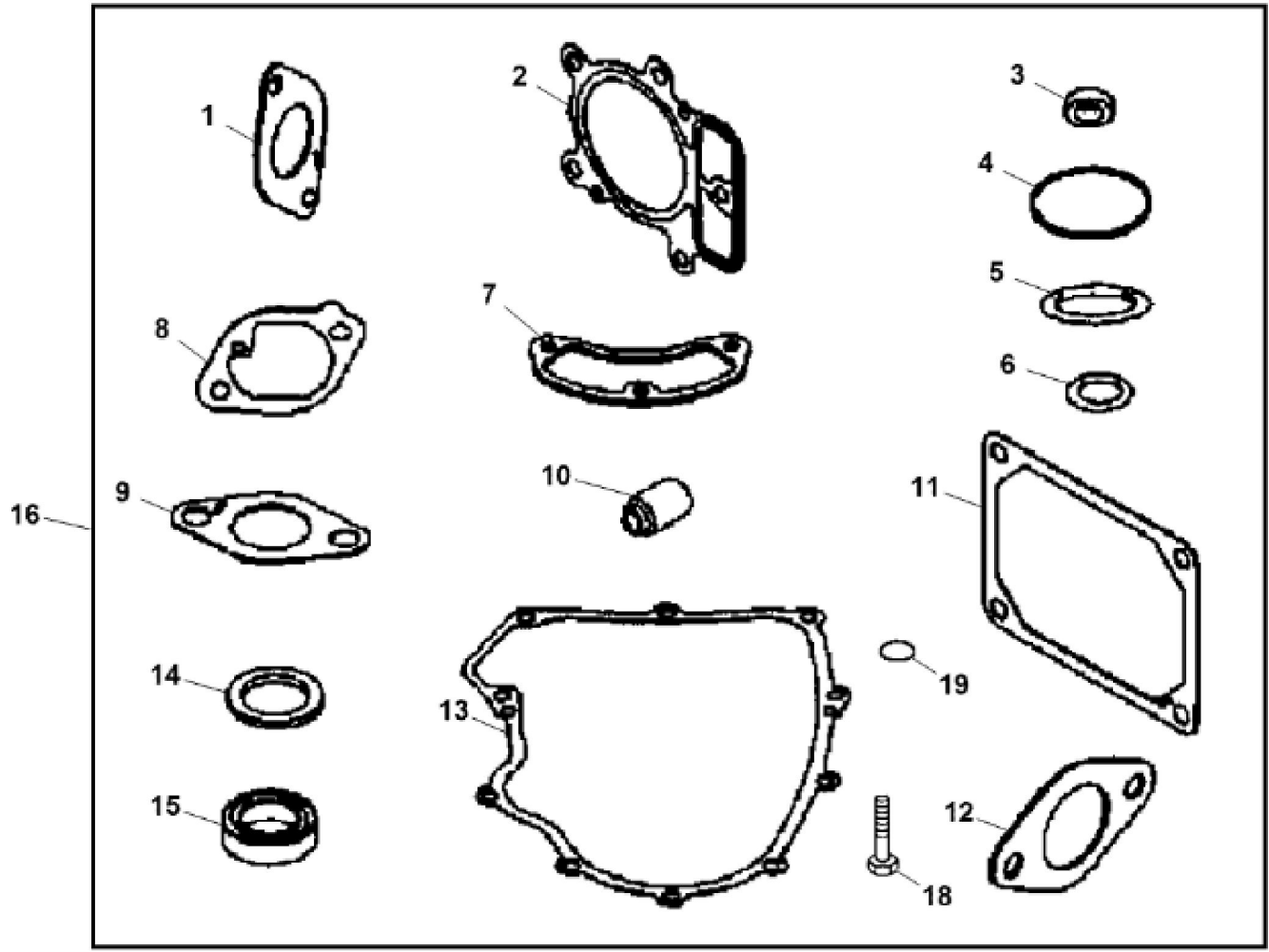


PU05786

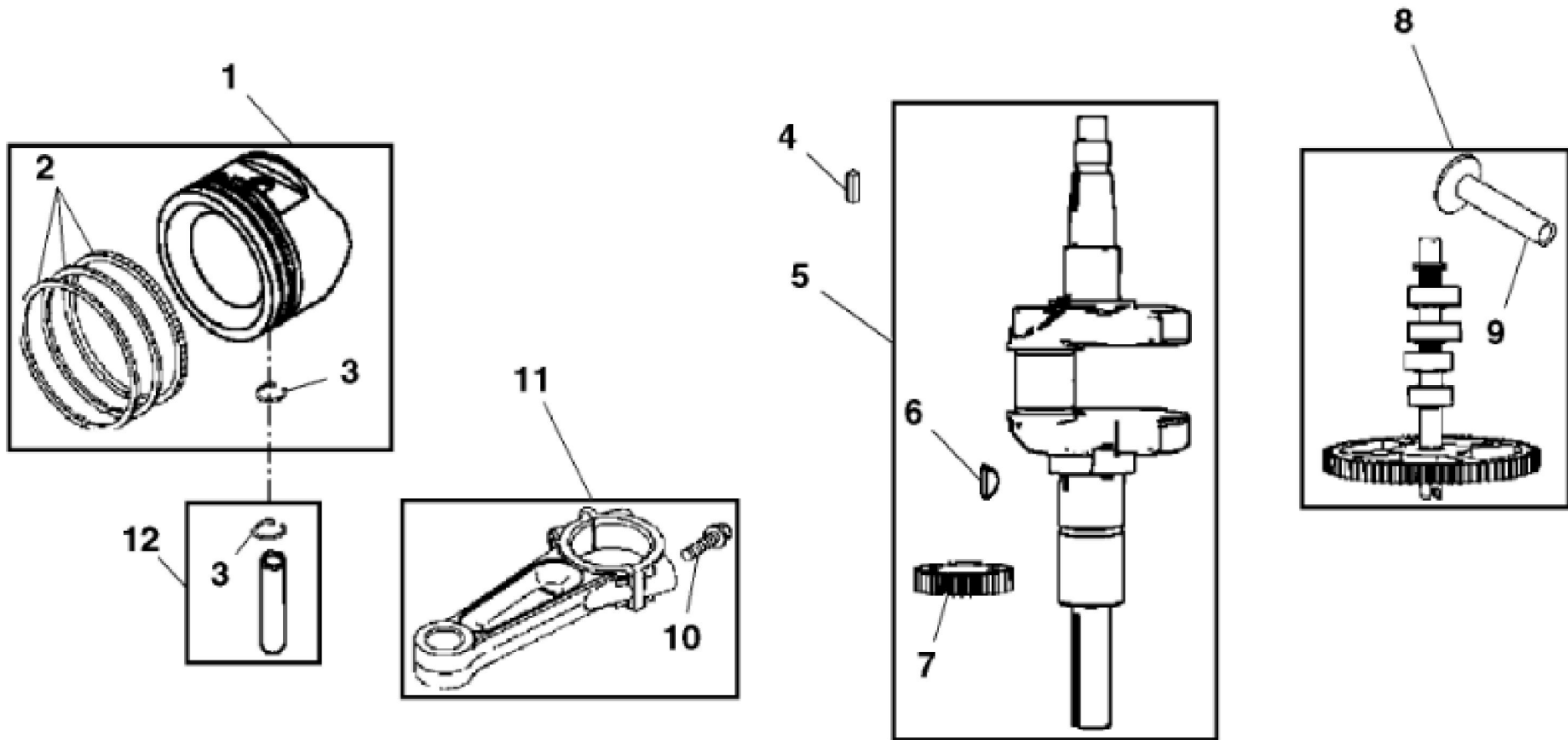
KEY	PART NO.	PART NAME	QTY	Serial No.	REMARKS
1	MIA11890	GASOLINE ENGINE	1		MARKED 405577-0280-B1; ORDER MIA12066; 18 HP
1	MIA12066	GASOLINE ENGINE	1		ORDER MIA12238; 18 HP
1	MIA12238	GASOLINE ENGINE	1		MARKED 405577-0281-B1; ORDER MIA12613
1	MIA12448	GASOLINE ENGINE	1		MARKED 405577-0131-B2; ORDER MIA12613
1	MIA12613	GASOLINE ENGINE	1	____-100000	MARKED 40R677-0001-B1
1	MIA12854	GASOLINE ENGINE	1	100001-700000	MARKED 40R677-0009-B1
1	MIA13104	GASOLINE ENGINE	1	700001-800000	MARKED 40R677-0013-B1; ORDER AUC10155
1	AUC10155	GASOLINE ENGINE	1	800001-____	MARKED 40R677-0015-B1

KEY	PART NO.	PART NAME	QTY	REMARKS
1	UC11104	DIPSTICK	1	SUB FOR LG499602
2	LG691036	DIPSTICK	1	
3	LG691031	O-RING	1	
4	LG691037	OIL TUBE	1	
5	LG691032	O-RING	1	
6	M153266	SCREW	1	
7	MIA11345	CYLINDER BLOCK	1	ORDER MIA12493
7	MIA13087	CYLINDER BLOCK	1	SUB FOR APPL MIA12493
8	MIA11778	SEAL KIT	1	
9	LG391086S	SEAL	1	
10	LG690959	DOWEL PIN	6	
11	37H74	SCREW	3	USE WITH MIA11890
11	LG691108	SCREW	3	
12	MIA10872	BREATHER	1	
13	MIU14443	TUBE	1	SUB FOR MIU11280
14	LG690937	GASKET	1	
15	LG690957	RETAINER	1	
16	MIU11502	BREATHER	1	
17	AM125424	OIL FILTER	1	
18	T77932	O-RING	1	
19	M144897	CAP	1	
20	AM131611	KIT	1	Oil Drain
21	M142896	SCREW	10	
22	PM37469	LIQUID GASKET	AR	Interchangeable With Breather Gasket
23	GC00331	SCREW	4	ORDER GX24210; Engine Mounting
23	GX24210	SCREW	4	Special
24	MIU11958	SEAL	1	Oil
25	15H638	PIPE PLUG	1	1/8"
26	LG690954	THREADED NIPPLE	1	
27	MIU14436	GASKET	1	SUB FOR M150226 AND MIU13979; Crankcase
28	LG692125	CAP SCREW	1	USE WITH LG690946
28	15H623	PIPE PLUG	1	3/8"
29	MIU12153	SEAL	1	
30	MIA11464	COVER	1	

KEY	PART NO.	PART NAME	QTY	REMARKS	
31	MIU12142	SCREW	3		
32	MIU12143	OIL PUMP	1		
33	MIU12140	SCREEN	1		
34	MIU11284	SEAL	1	Governor Shaft	
35	MIU12503	BUSHING	1		
36	M142280	WASHER	1		
37	M142286	RETAINER	2		
38	M142282	BUSHING	2		
39	LG691045	CRANK	1	Governor	
40	MIA11584	RESERVOIR	1		



KEY	PART NO.	PART NAME	QTY	Serial No.	REMARKS
1	M153271	GASKET	2		Intake
2	M142274	GASKET	2		Cylinder Head
3	MIU11284	SEAL	1		Governor Shaft
4	MIU12153	O-RING	1		Oil Pump Cover
5	LG691031	O-RING	1		Dipstick
6	LG691032	O-RING	1		Dipstick Tube
7	LG690937	GASKET	1		USE WITH AM135097; Breather
8	M153269	GASKET	1		Intake
9	LG690970	GASKET	2		USE WITH AM135097; Exhaust
10	LG690968	SEAL	2		Valve
11	LG690971	GASKET	2		USE WITH AM135097; Rocker Cover
12	LG690949	GASKET	2		Intake
13	MIU14436	GASKET	1	____-700000	SUB FOR MIU13979; Crankcase
13	GASKET	1	700001-____	MF PM37469; Crankcase
14	LG3910865	SEAL	1		Magneto Side
15	MIU11958	SEAL	1		PTO Side
16	AM135097	GASKET KIT	1		ORDER MIA13088
16	MIA13088	GASKET KIT	1		Engine
17	AM135099	GASKET KIT	1		ORDER MIA13089; INCLUDES (2) M153271, (2) M142274, M153269, (2) LG690970, (2) LG690968, (2) LG690971 AND (2) LG690949
17	MIA13089	GASKET KIT	1		Valve
18	M142896	SCREW	10		
19	LG690589	O-RING	1		



GX295124

Thank you so much for reading.
Please click the “Buy Now!”
button below to download the
complete manual.



After you pay.

You can download the most
perfect and complete manual in
the world immediately.

Our support email:

ebooklibonline@outlook.com