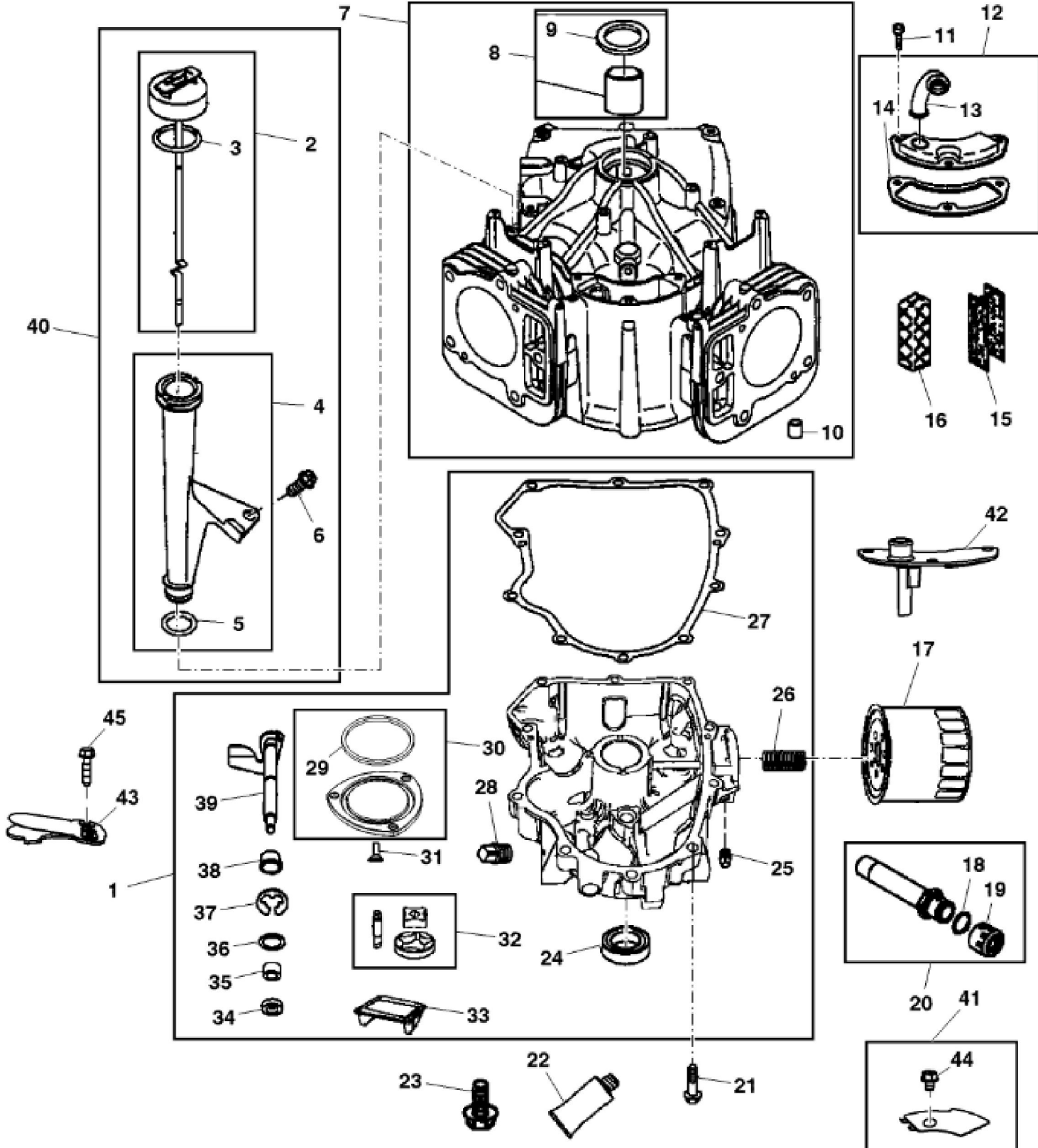


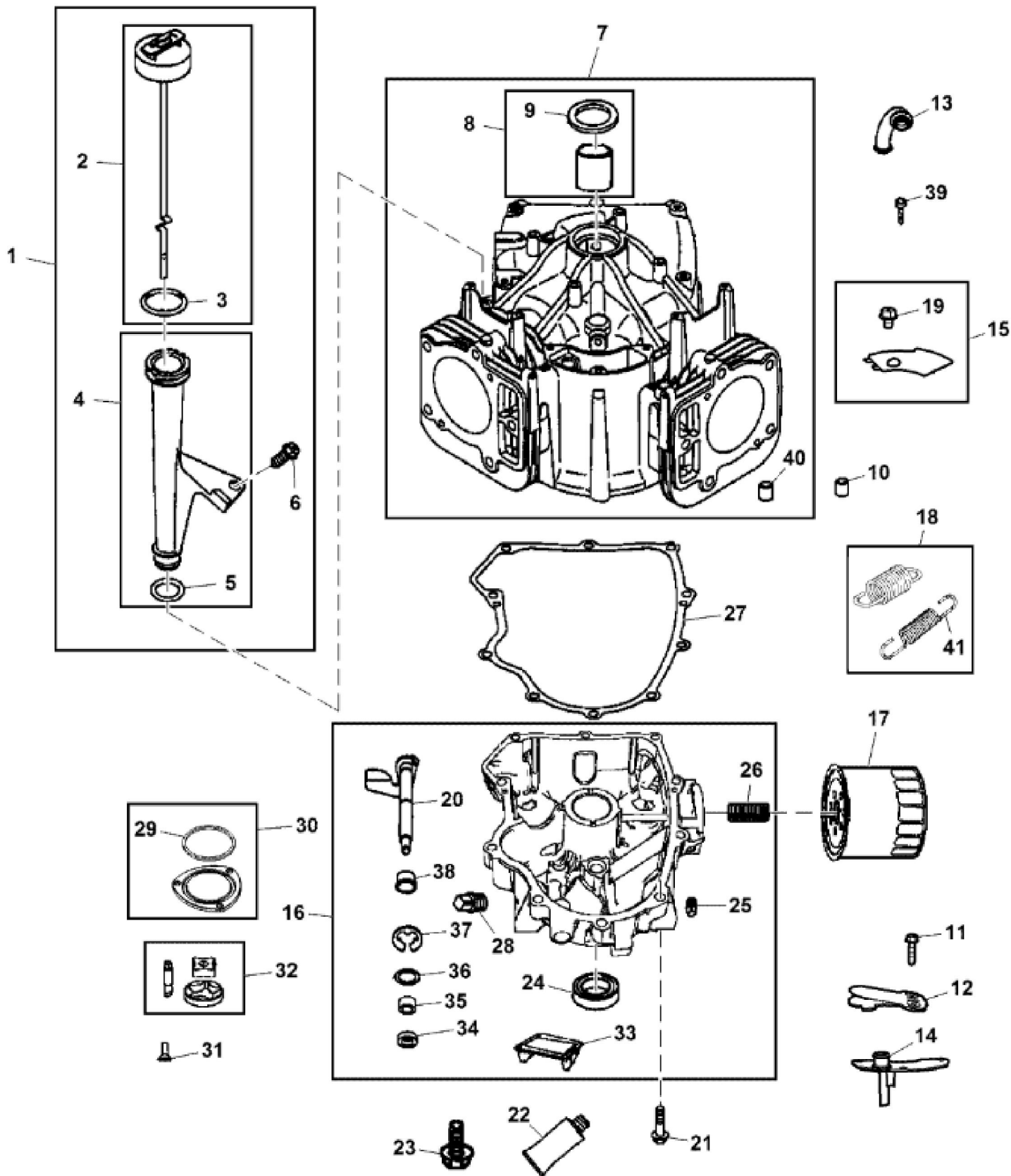
PU08213

KEY	PART NO.	PART NAME	QTY	Serial No.	REMARKS	
1	MIA12240	GASOLINE ENGINE	1		MARKED 405577-0118-B1; ORDER MIA12854	
1	MIA12450	GASOLINE ENGINE	1		MARKED 405577-5131-B2; ORDER MIA12854	
1	MIA12616	GASOLINE ENGINE	1		MARKED 40R677-0002-B1; ORDER MIA12854	
1	MIA12854	GASOLINE ENGINE	1	____-700000	MARKED 40R677-0009-B1	
1	MIA13104	GASOLINE ENGINE	1	700001-800000	MARKED 40R677-0013-B1; ORDER AUC10155	
1	AUC10155	GASOLINE ENGINE	1	800001-____	MARKED 40R677-0015-B1	



KEY	PART NO.	PART NAME	QTY	REMARKS
1	MIA11584	RESERVOIR	1	Sump, Engine
2	LG691036	DIPSTICK	1	
3	LG691031	O-RING	1	
4	LG691037	OIL TUBE	1	
5	LG691032	O-RING	1	
6	M153266	SCREW	1	
7	MIA11345	CYLINDER BLOCK	1	ORDER MIA12493
7	MIA12493	CYLINDER BLOCK	1	ORDER MIA13087
7	MIA13087	CYLINDER BLOCK	1	ALSO ORDER MIA13077, MIU14443, MIU14444, MIU14445, MIU14464 AND MIU14448
8	MIA11778	SEAL KIT	1	
9	LG391086S	SEAL	1	
10	LG690959	DOWEL PIN	6	
11	LG691108	SCREW	3	
12	MIA10872	BREATHER	1	
13	MIU14443	TUBE	1	SUB FOR MIU11280
14	LG690937	GASKET	1	
15	LG690957	RETAINER	1	
16	MIU11502	BREATHER	1	
17	AM125424	OIL FILTER	1	
18	T77932	O-RING	1	
19	M144897	CAP	1	
20	AM131611	KIT	1	Oil Drain
21	M142896	SCREW	10	
22	PM37469	LIQUID GASKET	1	Interchangeable With Breather Gasket
23	GC00331	SCREW	4	NLA; ORDER GX24210; Engine Mounting
23	GX24210	SCREW	4	
24	MIU11958	SEAL	1	Oil
25	15H638	PIPE PLUG	1	1/8"
26	LG690954	THREADED NIPPLE	1	
27	MIU14436	GASKET	1	SUB FOR M150226 AND MIU13979
28	15H623	PIPE PLUG	1	3/8"
29	MIU12153	SEAL	1	
30	MIA11464	COVER	1	

KEY	PART NO.	PART NAME	QTY	REMARKS	
31	MIU12142	SCREW	3		
32	MIU12143	OIL PUMP	1		
33	MIU12140	SCREEN	1		
34	MIU11284	SEAL	1	Governor Shaft	
35	MIU12503	BUSHING	1		
36	M142280	WASHER	1		
37	M142286	RETAINER	2		
38	M142282	BUSHING	2		
39	LG691045	CRANK	1	Governor	
40	UC11104	DIPSTICK	1	SUB FOR LG499602	
41	MIA13077	PLATE	1		
42	MIU14444	COVER	1	Breather	
43	MIU14445	VALVE	1	Breather	
44	MIU14464	SCREW	1		
45	MIU14448	SCREW	1		



GX307010

Thank you so much for reading.
Please click the “Buy Now!”
button below to download the
complete manual.



After you pay.

You can download the most
perfect and complete manual in
the world immediately.

Our support email:

ebooklibonline@outlook.com