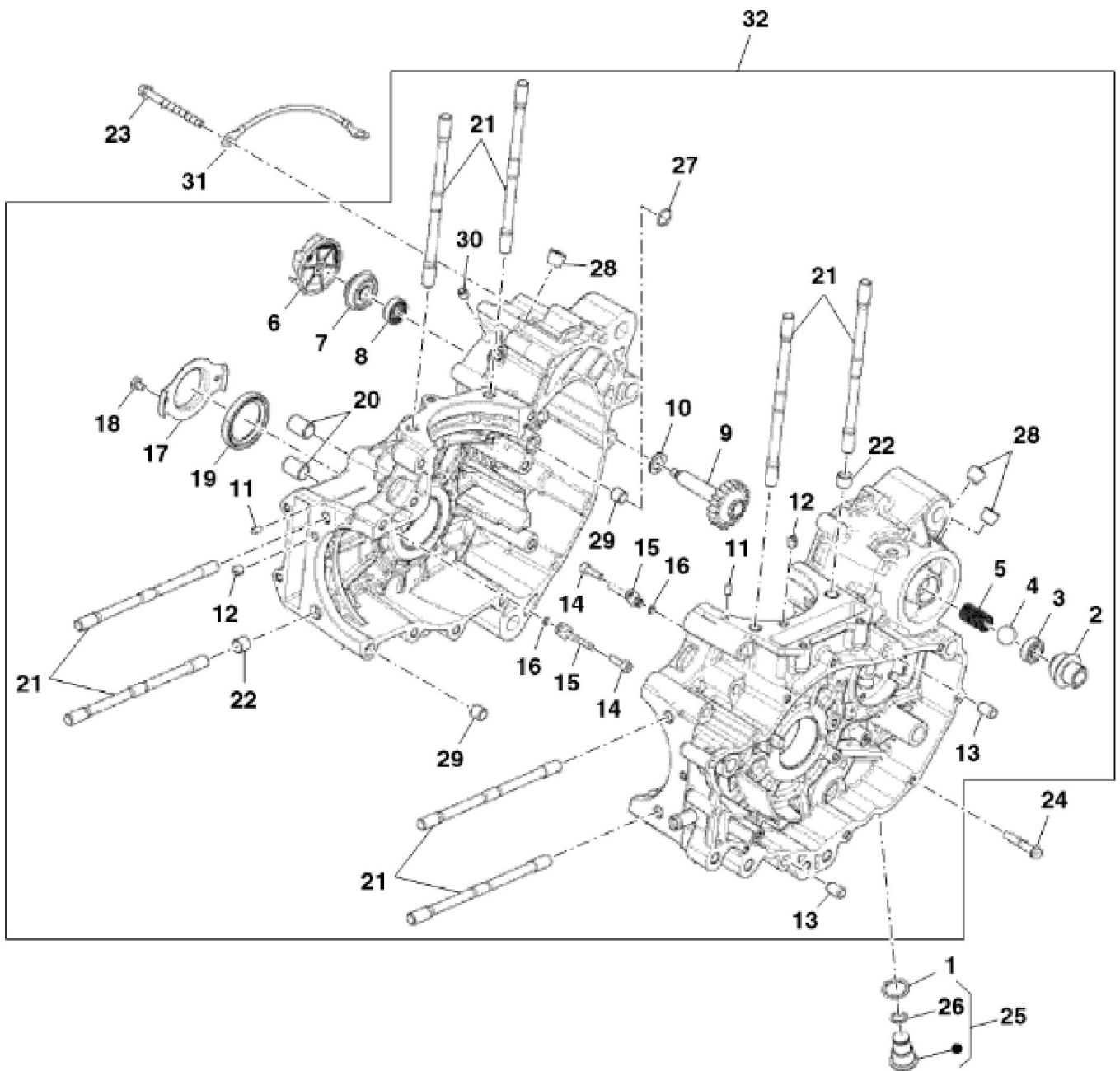
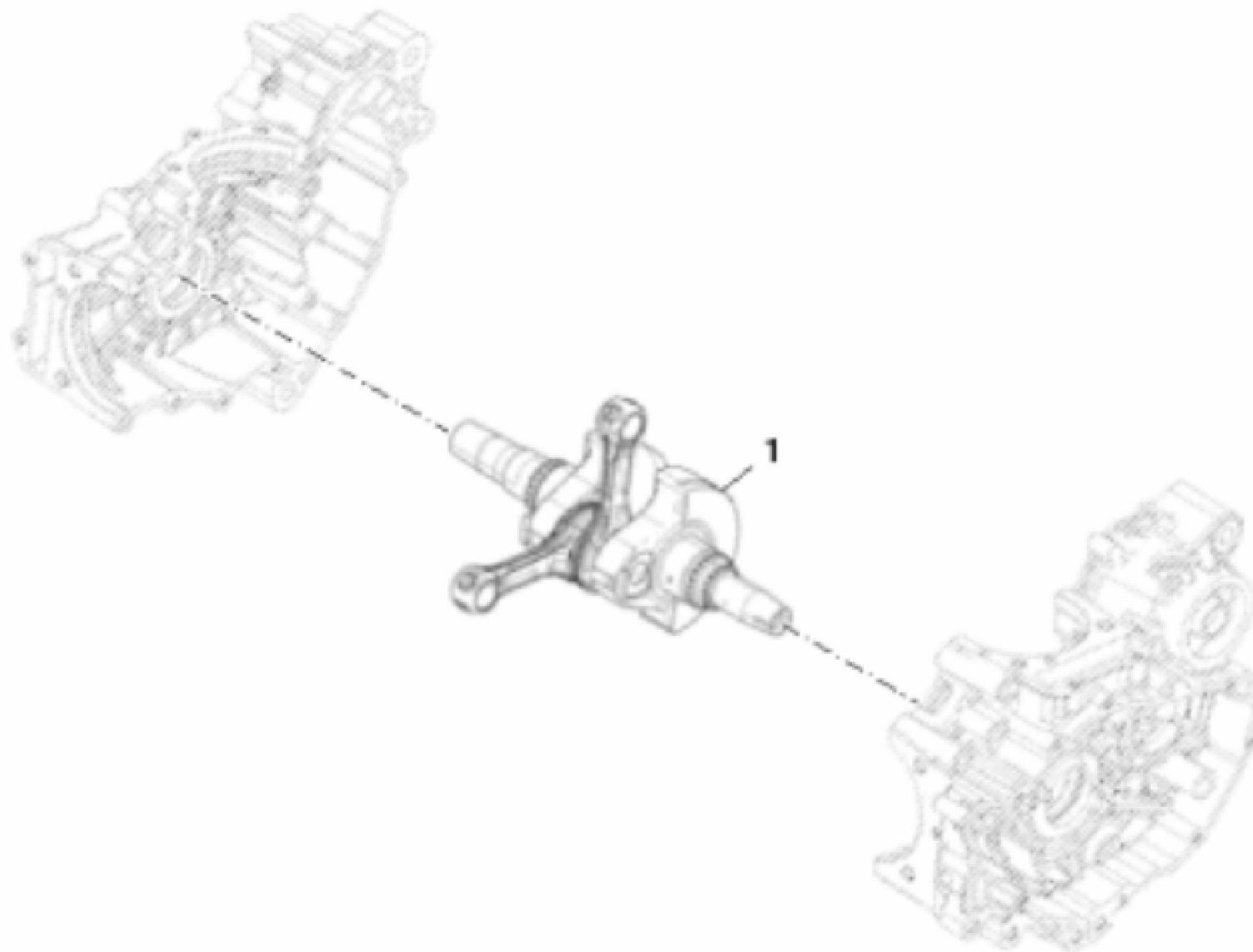


PU06892

KEY	PART NO.	PART NAME	QTY	REMARKS	
1	AM147702	GASOLINE ENGINE	1	INCLUDES MIA12513 AND AM145365; SUB FOR MIA11745 AND MIA12513	
2	M162505	INTAKE MANIFOLD	1		
3	M162585	HOSE CLAMP	1		
3	M168041	HOSE CLAMP	1		
4	M161365	BRACKET	1	Engine Support	
5	M161366	BRACKET	1	Engine	
6	19M8528	SCREW	4	M10 X 55	
7	19M7785	SCREW	6	M10 X 25	
8	M163016	BRACKET	1	Engine Support	
9	19M7838	SCREW	2	M12 X 130	
10	14M7299	FLANGE NUT	4	M12	
11	19M7788	SCREW	2	M12 X 25	
12	M169679	BAND	4		
13	AM145365	OIL FILTER	1	Not illustrated	

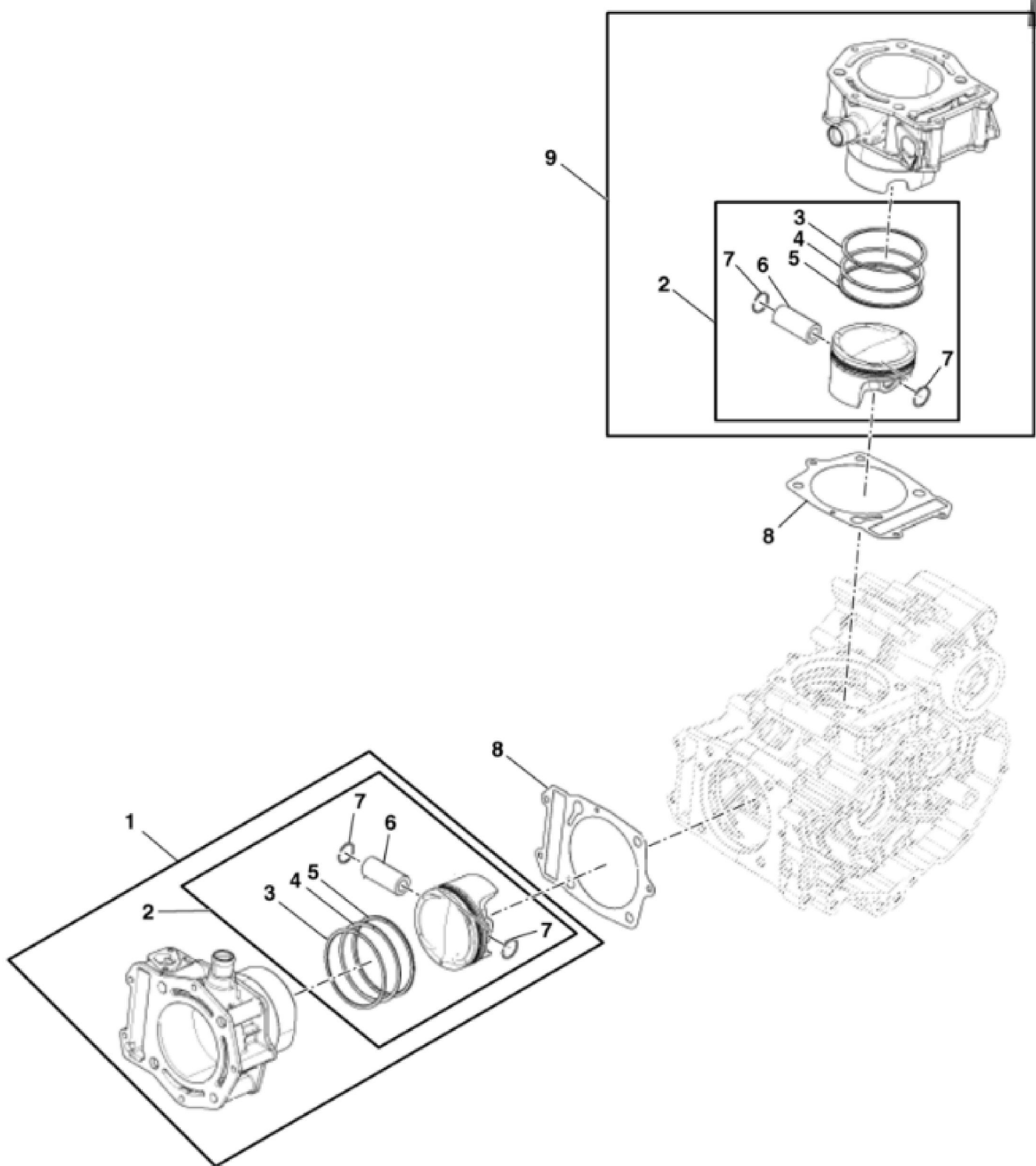


KEY	PART NO.	PART NAME	QTY	REMARKS
1	MIU13479	GASKET	1	
2	MIU13489	UNION FITTING	1	
3	MIU13347	VALVE	1	Oil Anti-Return
4	MIU13395	BALL	1	
5	MIU13396	SPRING	1	
6	MIU13380	IMPELLER	1	
7	MIU13348	GASKET	1	Ring
8	MIU13349	GASKET	1	Ring
9	MIA12302	WATER PUMP	1	Shaft ASSY
10	MIU13461	SHIM	1	
11	MIU13462	DOWEL PIN	2	
12	MIU13397	NOZZLE	2	
13	MIU13457	PIN	2	
14	MIU13484	SCREW	2	
15	MIU13481	JET	2	
16	MIU13460	GASKET	2	Ring
17	MIU13490	PLATE	1	
18	MIU13398	SCREW	2	
19	MIU13350	GASKET	1	
20	MIU13493	DOWEL PIN	2	
21	MIU13426	BOLT	8	
22	MIU13458	PIN	2	
23	MIU13399	SCREW	6	
24	MIU13400	SCREW	10	
25	MIU13433	PLUG	1	Oil Unload
26	MIU13431	O-RING	1	
27	MIU13495	O-RING	1	
28	MIU13429	PLUG	3	
29	MIU13463	DOWEL PIN	2	
30	MIU13432	PLUG	1	
31	MIU13351	CABLE	1	
32	MIA12419	CRANKCASE	1	Match to Crankshaft Cat. 1
32	MIA12420	CRANKCASE	1	Match to Crankshaft Cat. 2



PU04182

KEY	PART NO.	PART NAME	QTY	REMARKS	
1	MIA12303	CRANKSHAFT	1	45.010 - 45.016, MARKED Category - 1	
1	MIA12304	CRANKSHAFT	1	45.016 - 45.022, MARKED Category - 2	



Thank you so much for reading.  
Please click the “Buy Now!”  
button below to download the  
complete manual.



After you pay.

You can download the most  
perfect and complete manual in  
the world immediately.

Our support email:

[ebooklibonline@outlook.com](mailto:ebooklibonline@outlook.com)