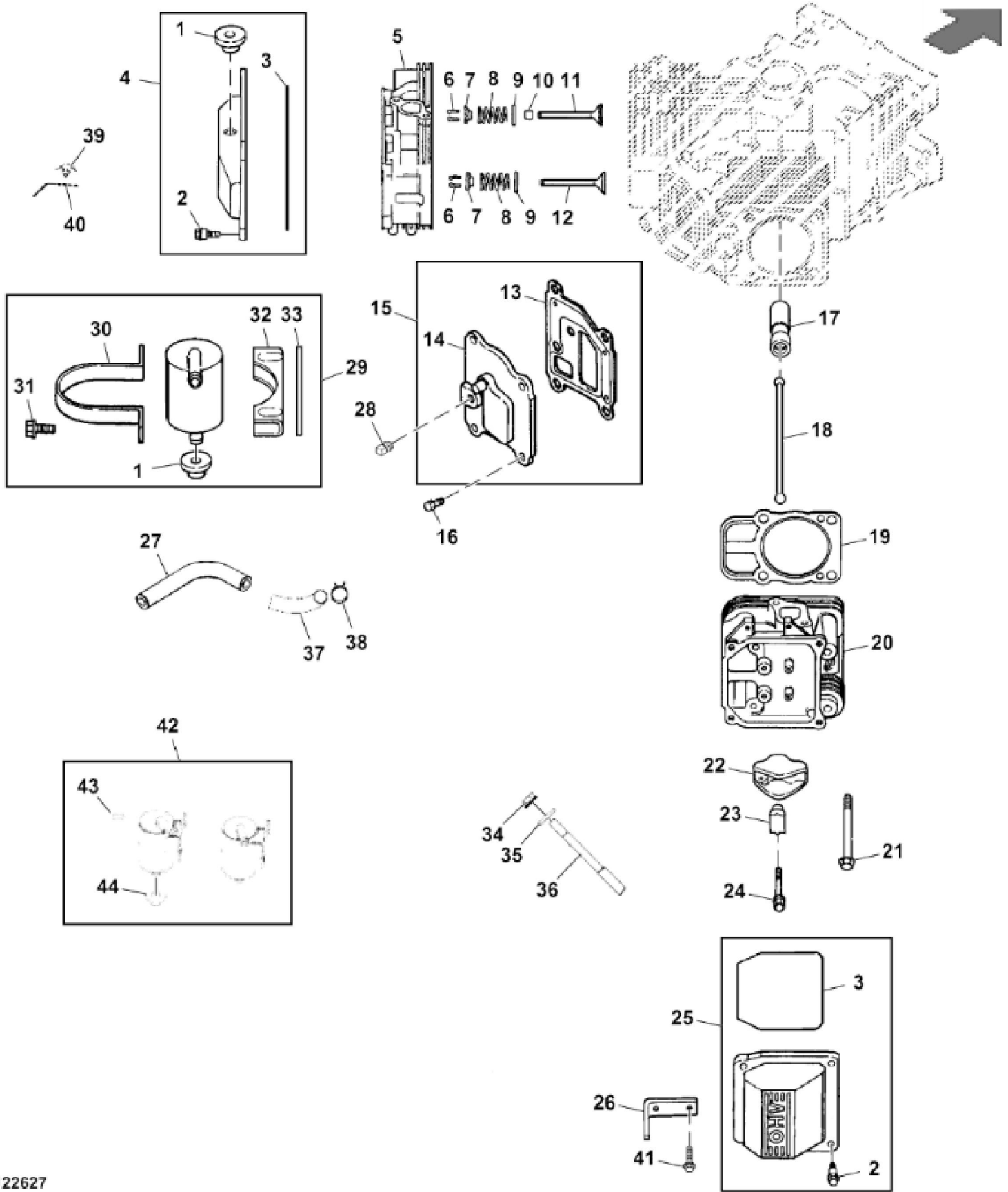


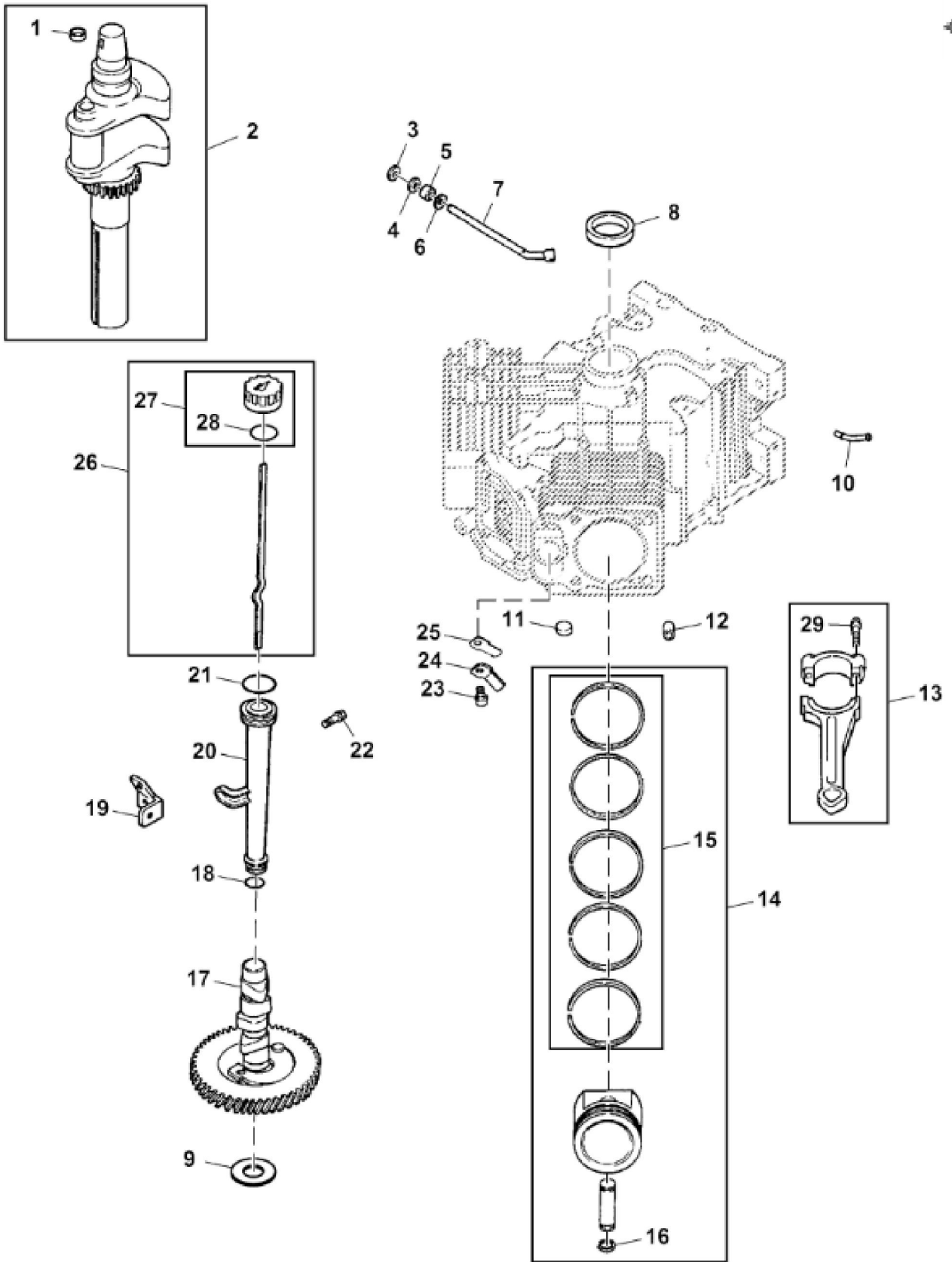
PU21889

| KEY | PART NO. | PART NAME | QTY | REMARKS | |
|-----|----------|-----------------|-----|---------------------------------------|--|
| 1 | MIA11952 | GASOLINE ENGINE | 1 | MARKED PS-ECV740-3011; ORDER MIA12253 | |
| 1 | MIA12253 | GASOLINE ENGINE | 1 | MARKED PS-ECV740-3019; ORDER MIA13021 | |
| 1 | MIA13021 | GASOLINE ENGINE | 1 | MARKED PS-ECV-740-3042 | |



| KEY | PART NO. | PART NAME | QTY | REMARKS |
|-----|----------|---------------|-----|---|
| 1 | M148338 | GROMMET | 1 | |
| 2 | M132402 | SCREW | 8 | |
| 3 | MIU11443 | O-RING | 1 | |
| 4 | AM134352 | O-RING KIT | 1 | W/ Breather, RH |
| 5 | MIA12198 | CYLINDER HEAD | 1 | USE WITH MIA11952 AND MIA12253 |
| 5 | MIA12797 | CYLINDER HEAD | 1 | USE WITH MIA13021 |
| 6 | AM107043 | RETAINER | 4 | 2 Per Set |
| 7 | M92203 | CAP | 4 | |
| 8 | M132352 | SPRING | 4 | |
| 9 | M43123 | RETAINER | 4 | |
| 10 | M146775 | SEAL | 2 | ORDER MIU14137 |
| 10 | MIU14137 | SEAL | 2 | |
| 11 | M132353 | INTAKE VALVE | 2 | STD |
| 11 | M132354 | INTAKE VALVE | 2 | 0.25 mm |
| 12 | M132355 | EXHAUST VALVE | 2 | STD |
| 12 | M132356 | EXHAUST VALVE | 2 | 0.25 mm |
| 13 | MIU12491 | GASKET | 1 | |
| 14 | MIU13277 | COVER | 1 | |
| 15 | AM126260 | BREATHER KIT | 1 | |
| 16 | 37M7131 | SCREW | 4 | M6 X 20 |
| 16 | MIU14036 | SCREW | 4 | |
| 17 | MIU13278 | VALVE LIFTER | 4 | USE WITH MIA11952 AND MIA12253; Hydraulic |
| 17 | MIU14140 | VALVE LIFTER | 4 | USE WITH MIA13021 |
| 18 | M132357 | PUSH ROD | 4 | |
| 19 | MIU13276 | GASKET | 2 | |
| 20 | MIA12199 | CYLINDER HEAD | 1 | USE WITH MIA11952 AND MIA12253 |
| 20 | MIA12798 | CYLINDER HEAD | 1 | USE WITH MIA13021 |
| 21 | 19M7811 | SCREW | 8 | M10 X 90 |
| 22 | M131133 | ROCKER ARM | 4 | |
| 23 | MIU11263 | PIVOT | 4 | |
| 24 | M120564 | SCREW | 4 | |
| 25 | AM134290 | COVER KIT | 1 | LH |
| 26 | MIU12948 | STRAP | 1 | |
| 27 | MIU13212 | BREATHER | 1 | |
| 28 | 15H558 | PIPE PLUG | 1 | 1/8" |

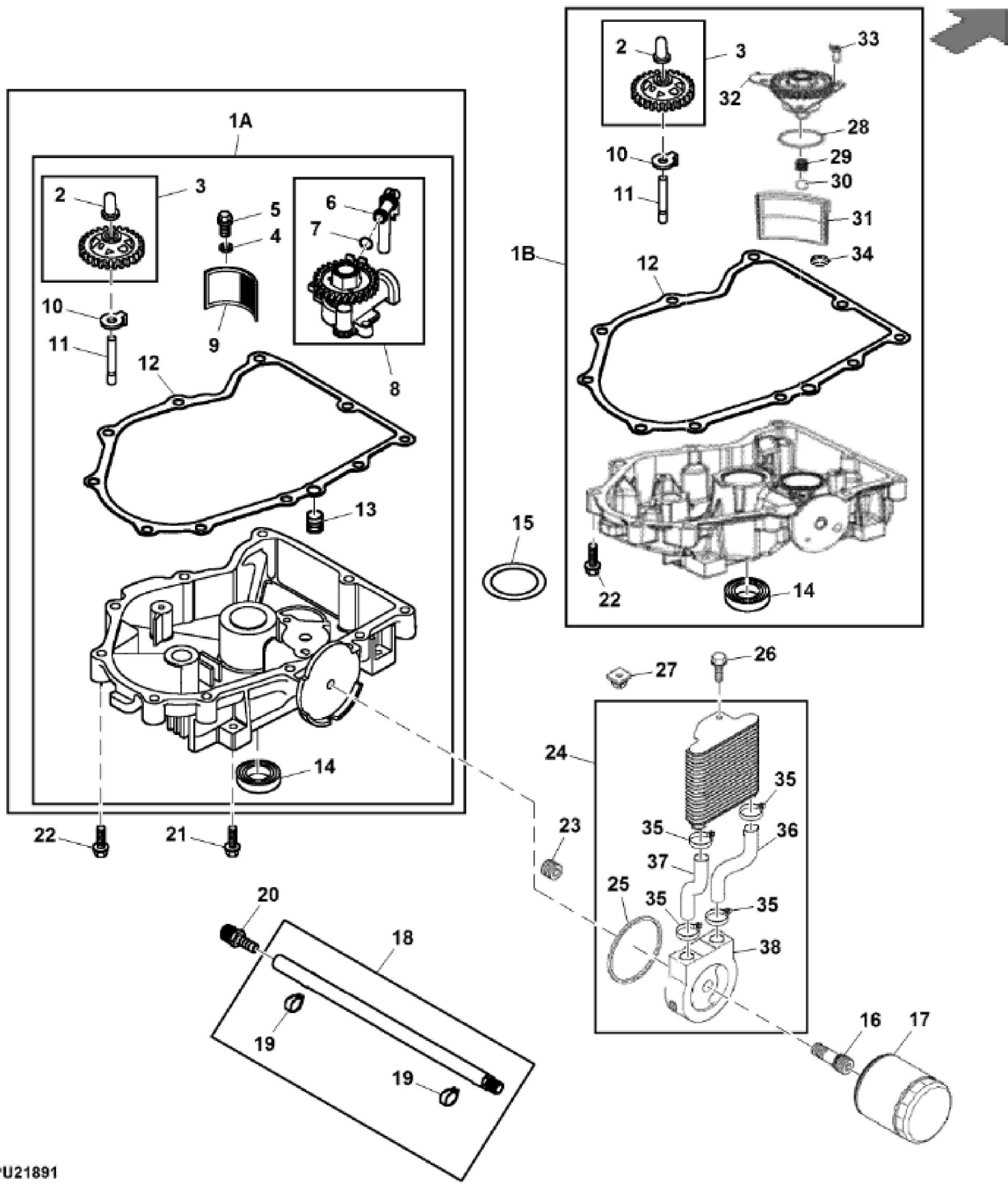
| KEY | PART NO. | PART NAME | QTY | REMARKS |
|-----|----------|-----------------|-----|--|
| 29 | AM126265 | KIT | 1 | ORDER MIA12725; Breather Separator |
| 30 | M134912 | STRAP | 1 | |
| 31 | MIU14033 | SCREW | 2 | |
| 31 | MIU12950 | SCREW | 2 | |
| 32 | M134913 | BRACKET | 1 | |
| 33 | M134914 | SPACER | 1 | |
| 34 | M143944 | NUT | 4 | |
| 35 | M143943 | WASHER | 8 | |
| 36 | M143942 | STUD | 8 | |
| 37 | MIU11933 | SLEEVE | 1 | |
| 38 | MIU13214 | HOSE CLAMP | 1 | |
| 39 | MIU13213 | CLIP | 1 | |
| 40 | MIU13211 | BRACKET | 1 | |
| 41 | 37M7091 | SCREW | 1 | M6 X 25 |
| 42 | MIA12725 | SEPARATOR KIT | 1 | |
| 43 | MIU12950 | SCREW | 2 | |
| 44 | MIU13209 | GROMMET | 1 | |
| 45 | MIU11303 | LABEL | 1 | Not Illustrated |
| 46 | MIU14032 | SCREW | 1 | Not Illustrated |
| 47 | MIU14027 | SCREW | 1 | Not Illustrated |
| 48 | MIA10892 | CYLINDER KIT | 1 | Not Illustrated |
| .. | AM125389 | VALVE TRAIN KIT | 1 | INCLUDES (4) M131133, (4) M132357 AND (4) MIU11263 |



John Deere > Turf And Utility >TRACTOR, LAWN AND GARDEN >Z925A - TRACTOR, LAWN AND GARDEN >Z925A EFI Pro ZTrak Mower >20 ENGINE PS-ECV740-3011 >ST887909 - CRANKSHAFT AND PISTONS

| KEY | PART NO. | PART NAME | QTY | REMARKS |
|-----|----------|------------------------|-----|---|
| 1 | M76215 | PLUG | 1 | |
| 2 | MIA12190 | CRANKSHAFT | 1 | |
| 3 | M143941 | SNAP RING | 1 | |
| 4 | M143936 | WASHER | 1 | |
| 5 | M143970 | SEAL | 1 | |
| 6 | M143939 | WASHER | 1 | |
| 7 | M148328 | SHAFT | 1 | Governor Cross |
| 8 | MIU11539 | SEAL | 1 | |
| 9 | M93955 | SOLID SHIM | 1 | |
| 10 | M134898 | FITTING | 1 | |
| 11 | | PLUG | 1 | |
| 12 | MIU11251 | DOWEL PIN | 6 | |
| 13 | MIU12971 | CONNECTING ROD | 2 | ORDER MIU13923; SUB FOR M134452 OR MIU11256 |
| 13 | MIU13923 | CONNECTING ROD | 2 | ORDER MIA12812 |
| 13 | MIA12812 | CONNECTING ROD | 1 | |
| 13 | MIA11130 | CONNECTING ROD | 2 | .25 MM (.010") US, (SUB FOR M134453 OR MIA10907) |
| 14 | MIA12584 | PISTON KIT | 2 | OS-0.25 mm, SUB FOR MIA12194 |
| 14 | MIA12192 | PISTON KIT | 2 | USE WITH MIA11952; STD |
| 14 | MIA12193 | PISTON KIT | 2 | OS-0.08 mm, USE WITH MIA11952 AND MIA13021 |
| 14 | MIA12195 | PISTON KIT | 2 | OS-0.50 mm, USE WITH MIA11952 AND MIA13021 |
| 14 | MIA12800 | PISTON REPLACEMENT KIT | 2 | USE WITH MIA12253 AND MIA13021; SUB FOR MIA12582; STD |
| 14 | MIA12583 | PISTON KIT | 2 | OS-0.08 mm, USE WITH MIA12253 |
| 14 | MIA12585 | PISTON KIT | 2 | OS-0.05 mm, USE WITH MIA12253 |
| 14 | MIA12823 | PISTON KIT | 2 | OS-0.08 mm, USE WITH MIA13021 |
| 14 | MIA12824 | PISTON KIT | 2 | OS-0.25 mm, USE WITH MIA13021 |
| 14 | MIA12825 | PISTON KIT | 2 | OS-0.50 mm, USE WITH MIA13021 |
| 15 | MIA11128 | PISTON REPLACEMENT KIT | 2 | SUB FOR MIA11277 |
| 15 | MIA11129 | RING | 2 | |
| 15 | MIA11127 | RING | 2 | |
| 15 | MIU13203 | RING | 2 | OS-0.50 mm |
| 16 | M132341 | RETAINER | 2 | |
| 17 | MIA12196 | CAMSHAFT | 1 | |
| 18 | M92193 | O-RING | 1 | |

| KEY | PART NO. | PART NAME | QTY | REMARKS | |
|-----|----------|-----------|-----|---------|--|
| 19 | M134901 | BRACKET | 1 | | |
| 20 | MIU11957 | TUBE | 1 | | |
| 21 | M92194 | O-RING | 1 | | |
| 22 | MIU14033 | SCREW | 1 | | |
| 22 | MIU11902 | SCREW | 1 | | |
| 23 | M93483 | SCREW | 2 | | |
| 23 | M138311 | SCREW | 2 | | |
| 24 | M134899 | RETAINER | 2 | | |
| 25 | M134900 | BREATHER | 2 | | |
| 26 | AM126257 | DIPSTICK | 1 | | |
| 27 | AM124450 | CAP KIT | 1 | | |
| 28 | M148124 | O-RING | 1 | | |
| 29 | MIA12826 | PISTON | 4 | | |



Thank you so much for reading.
Please click the “Buy Now!”
button below to download the
complete manual.



After you pay.

You can download the most
perfect and complete manual in
the world immediately.

Our support email:

ebooklibonline@outlook.com