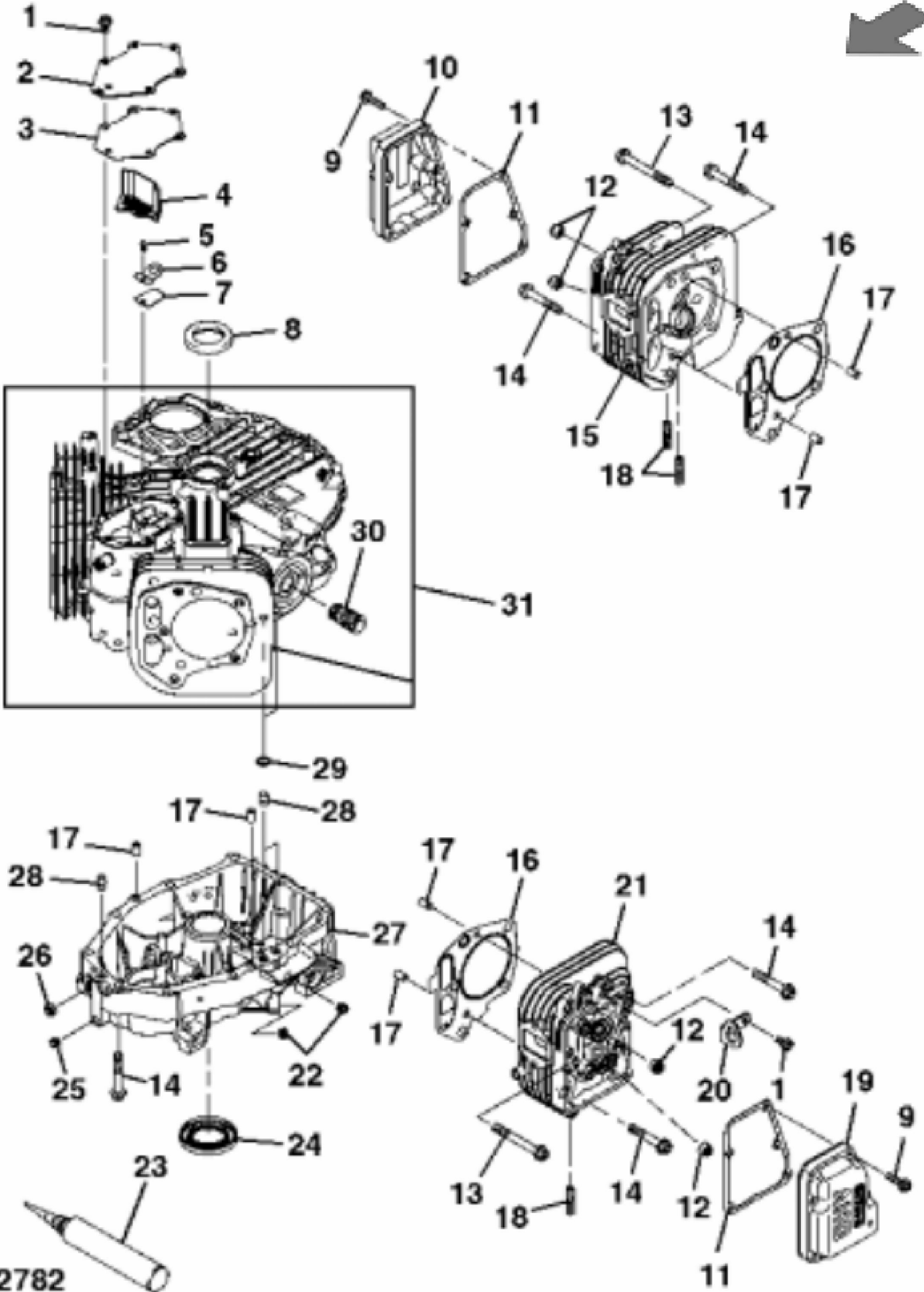


PU15095

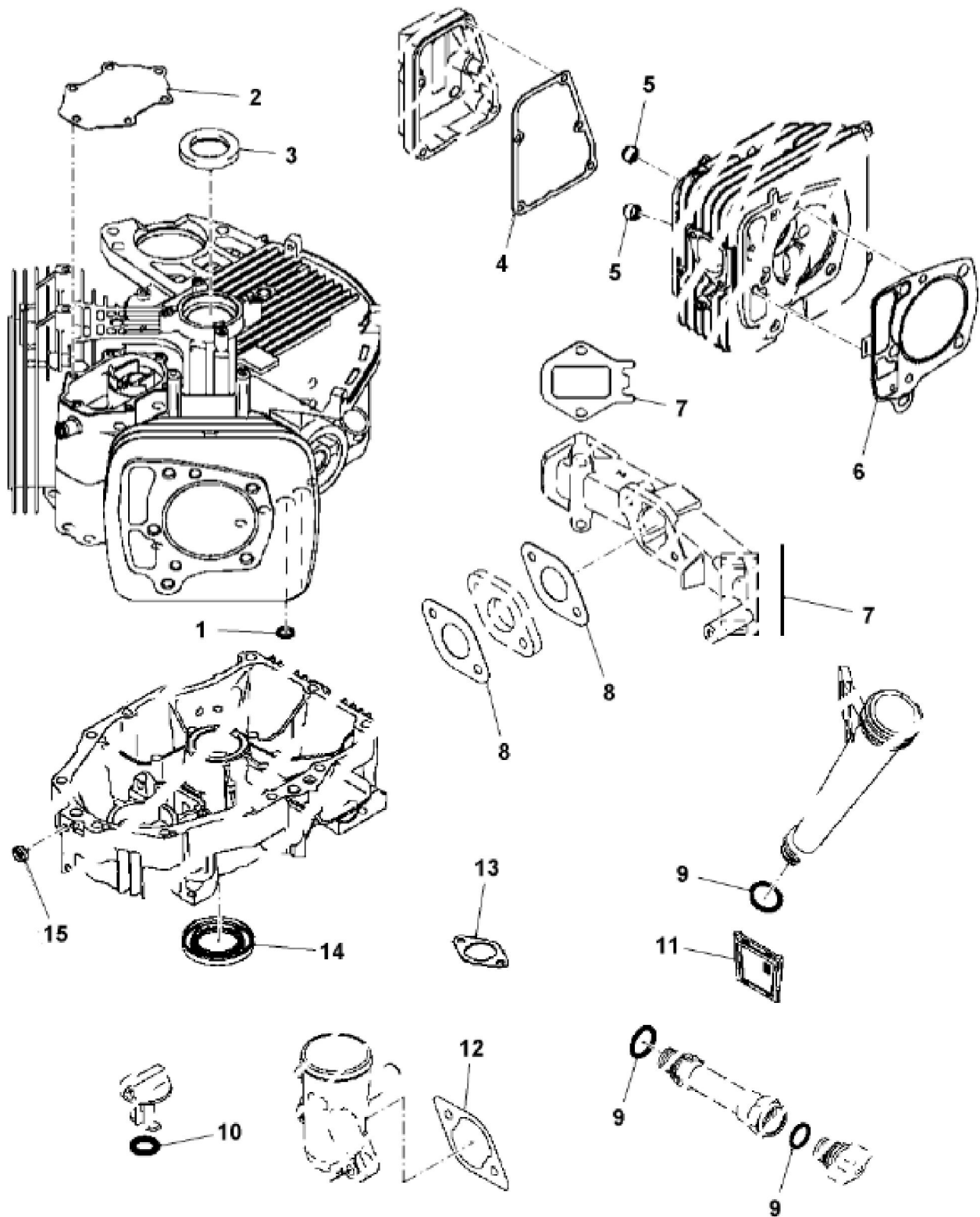
KEY	PART NO.	PART NAME	QTY	REMARKS	
1	MIA12267	GASOLINE ENGINE	1	(A) NLA; ORDER MIA12532	
1	MIA12532	GASOLINE ENGINE	1	(A) MARKED FS600V-BS20R	



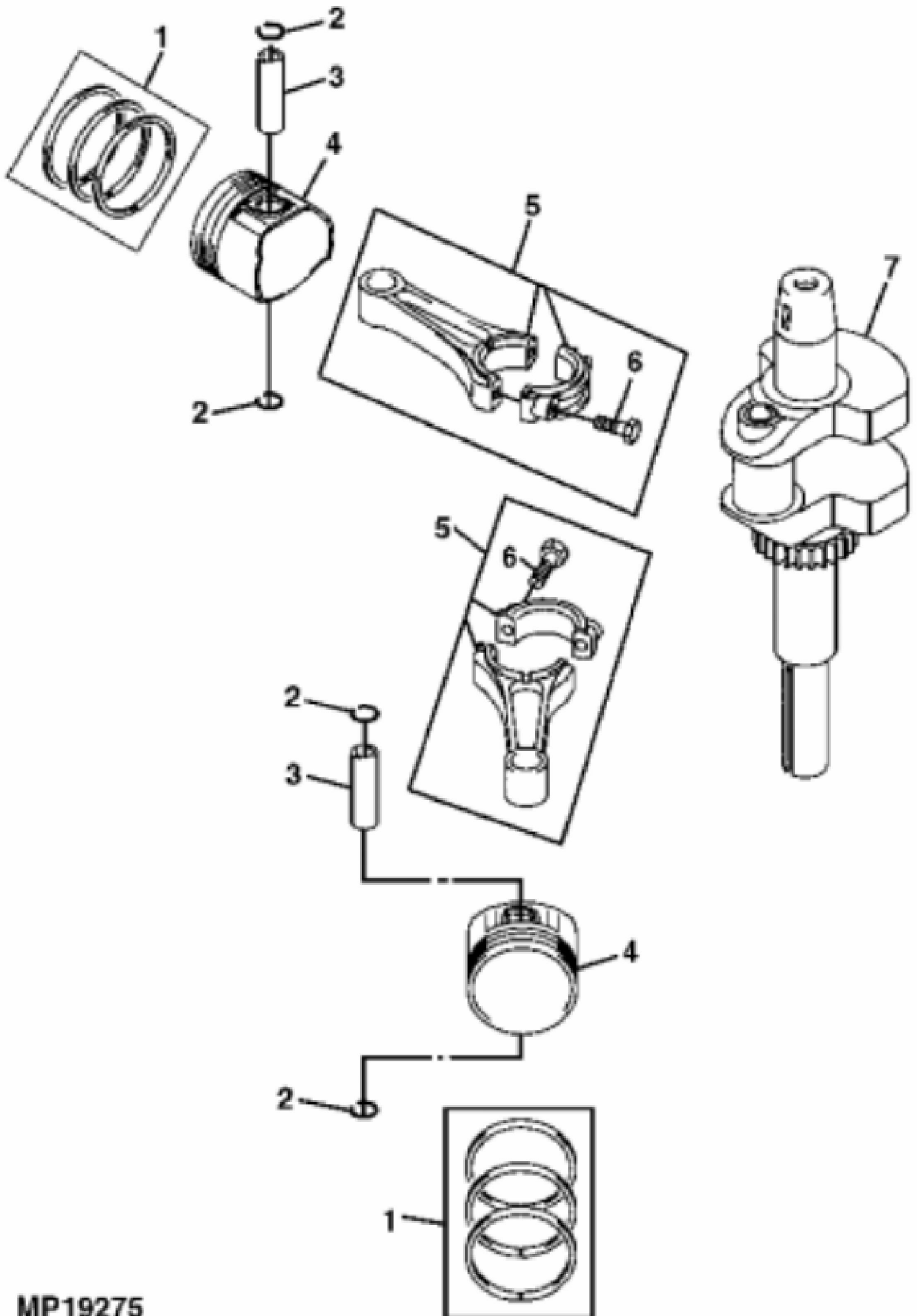
MP42782

KEY	PART NO.	PART NAME	QTY	REMARKS
1	MIU11325	BOLT	7	
2	MIU12397	COVER	1	Breather
3	MIU12395	GASKET	1	Breather
4	MIU12398	PIPE	1	
5	21M7244	SCREW	1	M4 X 8
6	MIU11767	PLATE	1	NLA; ORDER MIU13821
6	MIU13821	PLATE	1	
7	MIU11769	VALVE	1	Breather
8	M149281	SEAL	1	
9	19M7863	SCREW	10	M6 X 25
10	MIU13778	CASE	1	Rocker No. 1
11	MIU12394	GASKET	2	Rocker Case
12	M138389	SEAL	4	
13	19M7803	SCREW	6	M8 X 70
14	19M8319	SCREW	14	M8 X 50
15	MIU12516	CYLINDER HEAD	1	No. 1
16	MIU12515	GASKET	2	
17	M74252	PIN	6	
18	MIU12726	STUD	4	
19	MIU14499	COVER	1	SUB FOR MIU13779; Rocker
20	MIU13779	CASE	1	Lift
21	MIU12517	CYLINDER HEAD	1	No. 2
22	M147270	PLUG	2	NLA; ORDER MIU14001
22	MIU14001	PLUG	2	
23	M64850	SEALANT	AR	
24	MIU12400	SEAL	1	
25	MIU12401	PLUG	1	
26	M138392	SEAL	1	NLA; ORDER M151774
26	M151774	SEAL	1	
27	MIU13012	COVER	1	NLA; ORDER MIA12753; Crankcase
27	MIA12753	CRANKCASE	1	INCLUDES MIU12401, MIU14001 AND M123645; Crankcase Cover Kit
28	MIU14507	PIPE	1	SUB FOR MIU11770
29	M76104	O-RING	2	
30	MIU13767	ADAPTER FITTING	1	

KEY	PART NO.	PART NAME	QTY	REMARKS	
31	MIA12356	CRANKCASE	1		
32	MIA12267	GASOLINE ENGINE	1	(Not Illustrated) NLA; ORDER MIA12532	
32	MIA12532	GASOLINE ENGINE	1	(Not Illustrated) MARKED FS600V-BS20R	
33	GC00331	SCREW	4	(Not Illustrated) NLA; ORDER GX24210	
33	GX24210	SCREW	4	(Not Illustrated)	
34	M123645	DRAIN PLUG	1	(Not Illustrated)	



KEY	PART NO.	PART NAME	QTY	REMARKS	
1	M76104	O-RING	2		
2	MIU12395	GASKET	1		
3	M149281	SEAL	1		
4	MIU12394	GASKET	2		
5	M138389	SEAL	2		
6	MIU12515	GASKET	2		
7	MIU12549	GASKET	2	NLA; ORDER MIU14002	
7	MIU14002	GASKET	2		
8	MIU12550	GASKET	2		
9	M88478	O-RING	3		
10	MIU12558	O-RING	2		
11	MIU12418	SCREEN	1		
12	MIU12556	GASKET	1		
13	M136651	GASKET	4		
14	MIU12400	SEAL	1		
15	M138392	SEAL	1	NLA; ORDER M151774	
15	M151774	SEAL	1		



MP19275

Thank you so much for reading.
Please click the “Buy Now!”
button below to download the
complete manual.



After you pay.

You can download the most
perfect and complete manual in
the world immediately.

Our support email:

ebooklibonline@outlook.com