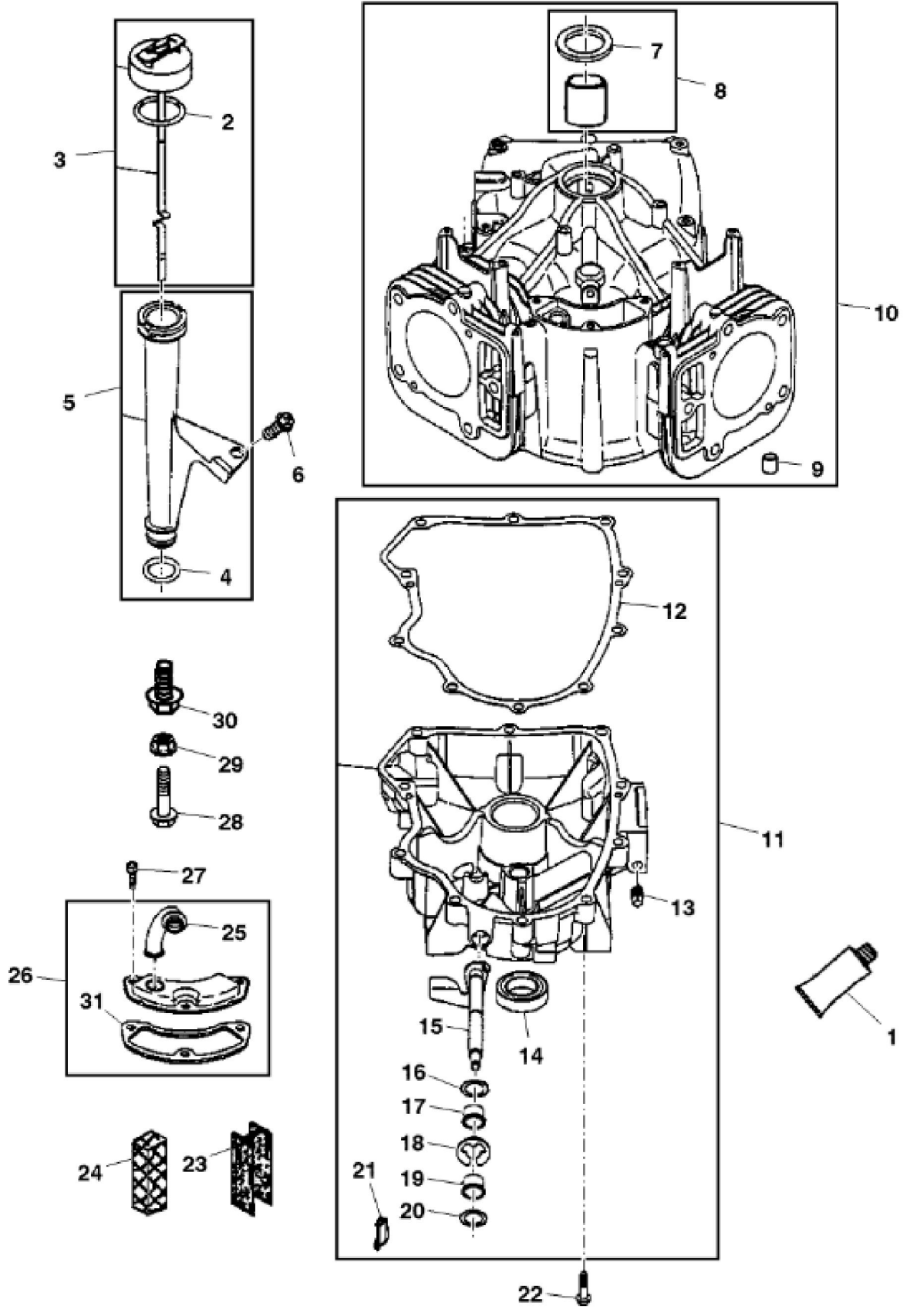


PU04362

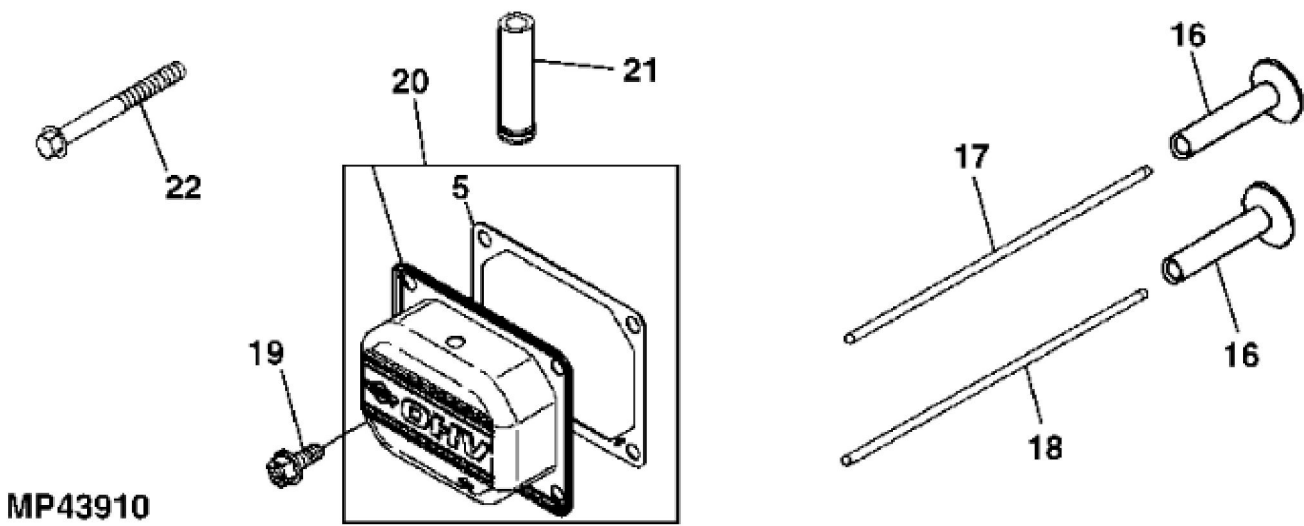
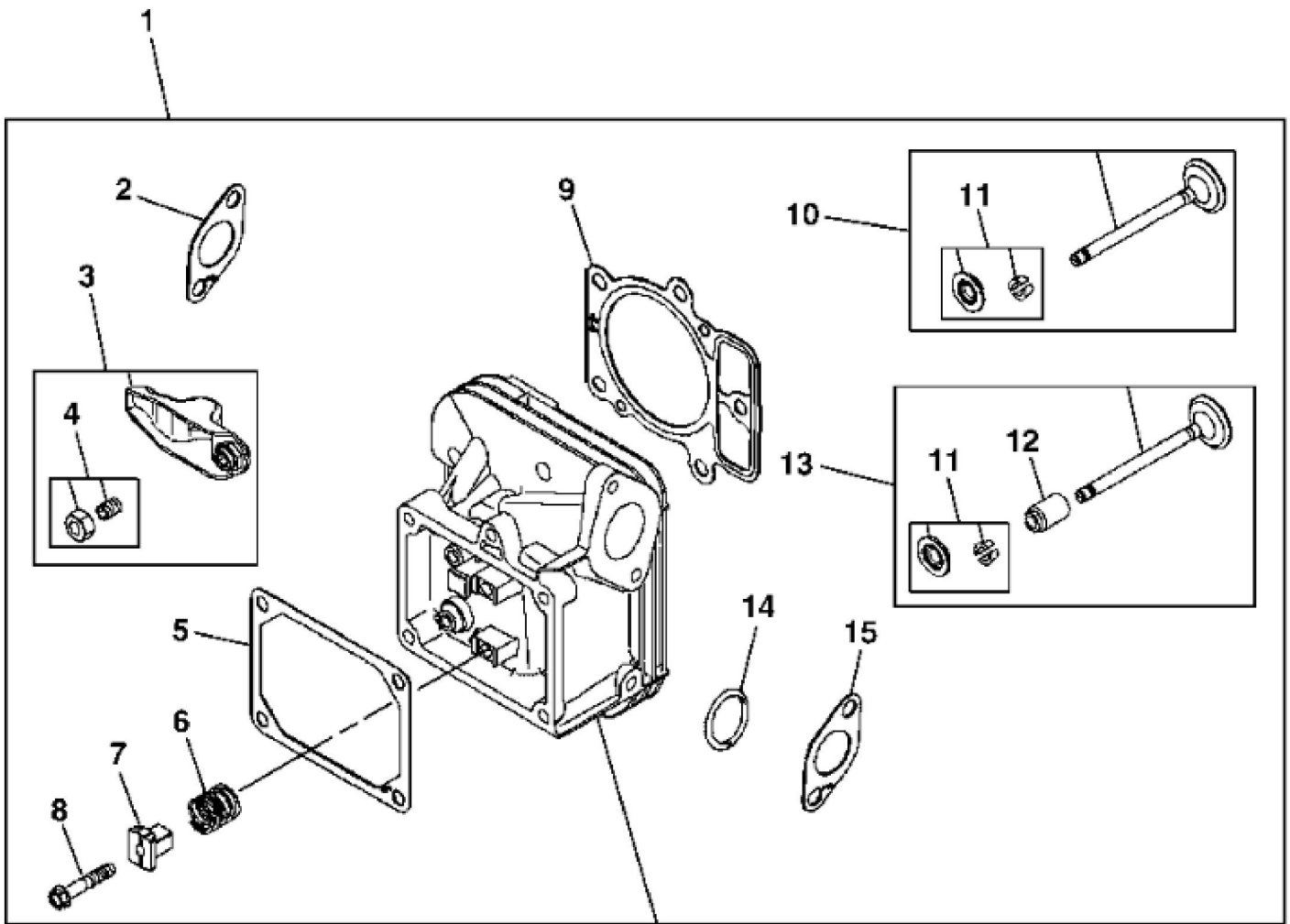
| KEY | PART NO. | PART NAME       | QTY | REMARKS             |  |
|-----|----------|-----------------|-----|---------------------|--|
| 1   | T27550   | CLIP            | 1   |                     |  |
| 2   | 03M7184  | BOLT            | 1   | M8 X 20             |  |
| 3   | 14M7396  | LOCK NUT        | 1   | M8                  |  |
| 4   | 14H786   | NUT             | 1   | 1/4"                |  |
| 5   | MIA12106 | GASOLINE ENGINE | 1   | NLA; ORDER MIA12274 |  |
| 5   | MIA12274 | GASOLINE ENGINE | 1   |                     |  |



| KEY | PART NO.  | PART NAME      | QTY | Serial No.  | REMARKS                                |
|-----|-----------|----------------|-----|-------------|--|
| 1   | PM37469   | LIQUID GASKET  | 1   |             |  |
| 2   | LG691031  | O-RING         | 1   |             |  |
| 3   | LG691036  | DIPSTICK       | 1   |             |  |
| 4   | LG691032  | SEAL           | 1   |             |  |
| 5   | LG691037  | OIL TUBE       | 1   |             |  |
| 6   | M153266   | SCREW          | 1   |             |  |
| 7   | LG391086S | SEAL           | 1   |             |  |
| 8   | MIA11778  | BUSHING KIT    | 1   |             |  |
| 9   | LG690959  | DOWEL PIN      | 6   |             |  |
| 10  | MIA13076  | CYLINDER BLOCK | 1   |             | SUB FOR MIA12510                       |
| 11  | MIA12035  | RESERVOIR      | 1   |             |  |
| 12  | MIU14436  | GASKET         | 1   |             | SUB FOR M150226 AND MIU13979           |
| 13  | 15H638    | PIPE PLUG      | 1   |             | 1/8"                                   |
| 14  | MIU11958  | SEAL           | 1   |             |  |
| 15  | LG691045  | CRANK          | 1   |             |  |
| 16  | M142280   | WASHER         | 1   |             | Governor Crank                         |
| 17  | M142282   | BUSHING        | 2   |             | Governor Crank                         |
| 18  | M142286   | RETAINER       | 2   |             |  |
| 19  | MIU12503  | BUSHING        | 1   |             | Governor Crank                         |
| 20  | MIU11284  | SEAL           | 1   |             | Governor Shaft                         |
| 21  | MIU12140  | SCREEN         | 1   |             |  |
| 22  | M142896   | SCREW          | 10  |             |  |
| 23  | LG690957  | RETAINER       | 1   |             |  |
| 24  | MIU11502  | FILTER         | 1   |             |  |
| 25  | MIU14443  | TUBE           | 1   |             | SUB FOR MIU11280                       |
| 26  | MIA10872  | BREATHER       | 1   |             |  |
| 27  | LG691108  | SCREW          | 3   |             |  |
| 28  | 19M7897   | SCREW          | 1   | ____-130000 | M8 X 35, Engine/Ground Mount, RH Front |
| 29  | E63525    | NUT            | 1   | ____-130000 | M8, Engine/Ground Mount, RH Front      |
| 30  | GC00331   | SCREW          | 3   |             | NLA; ORDER GX24210; Engine Mount       |
| 30  | GX24210   | SCREW          | 4   |             | NLA                                    |
| 31  | LG690937  | GASKET         | 1   |             | Breather                               |



| KEY | PART NO.  | PART NAME       | QTY | Serial No.  | REMARKS     |
|-----|-----------|-----------------|-----|-------------|-------------|
| 1   | MIA11459  | CONNECTING ROD  | 2   |             |             |
| 2   | LG690976  | SCREW           | 4   |             |             |
| 3   | LG222698S | SHAFT KEY       | 1   |             |             |
| 4   | MIA11457  | CRANKSHAFT      | 1   |             |             |
| 5   | 26H67     | SHAFT KEY       | 1   | ____-130000 | 1/8" X 3/8" |
| 5   | 26H4      | SHAFT KEY       | 1   | 130001-____ | 1/8" X 3/8" |
| 6   | LG690980  | GEAR            | 1   |             |             |
| 7   | MIA11789  | CAMSHAFT        | 1   |             |             |
| 8   | LG690977  | TAPPET          | 4   |             |             |
| 9   | LG690975  | LOCK            | 2   |             |             |
| 10  | MIA11458  | PISTON PIN      | 2   |             |             |
| 11  | MIA10996  | PISTON          | 2   |             |             |
| 11  | MIA11788  | PISTON          | 2   |             |             |
| 12  | MIU11282  | PISTON RING KIT | 2   |             |             |
| 12  | MIU11283  | PISTON RING KIT | 2   |             |             |



MP43910

Thank you so much for reading.  
Please click the “Buy Now!”  
button below to download the  
complete manual.



After you pay.

You can download the most  
perfect and complete manual in  
the world immediately.

Our support email:

[ebooklibonline@outlook.com](mailto:ebooklibonline@outlook.com)