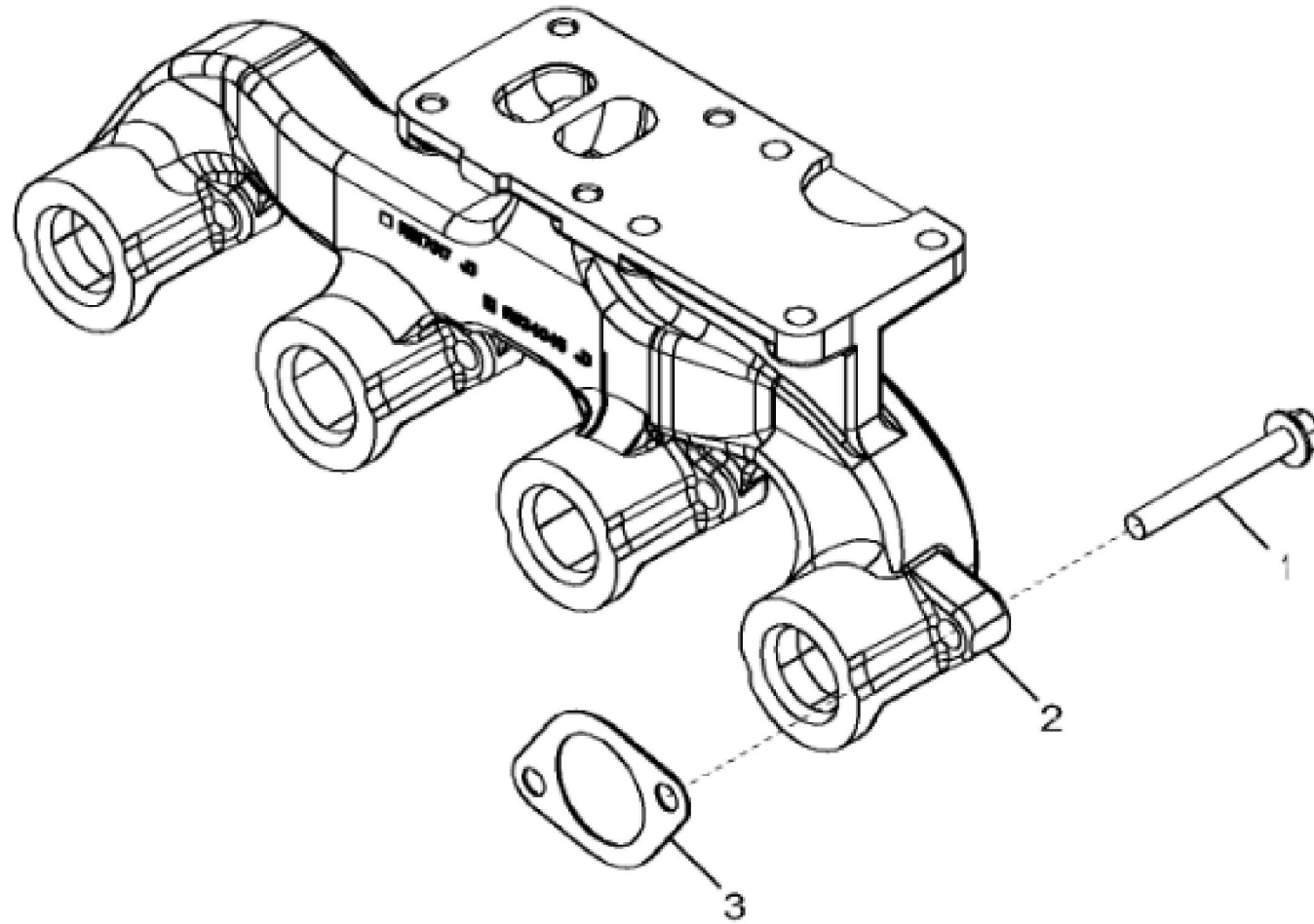


John Deere > Construction And Forestry > EXCAVATOR > E210LC - EXCAVATOR > E210LC Excavator (PIN: 1YNE21AL__C400021-C400200) > 04 ENGINE 4045HXU05-RE545837 > 0400 ENGINE 4045HXU05-RE545837 4045HXU05 > ST772104 - 2695 ENGINE COOLANT HEATER

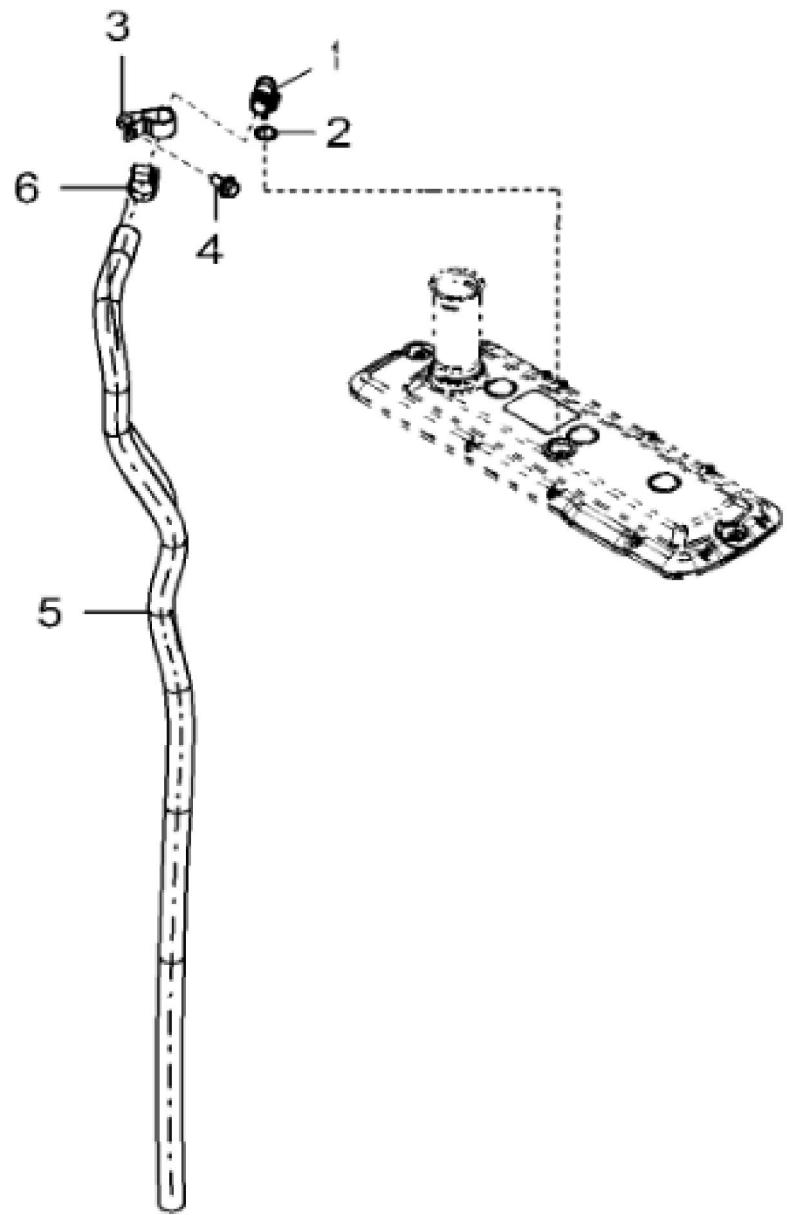
KEY	PART NO.	PART NAME	QTY	REMARKS	
1	RE507952	DRAIN VALVE	2		
2	51M7043	O-RING	3	15.300 X 2.200 mm	
3	R123616	PLUG	1		
4	RE520229	ADAPTER FITTING	1		
5	U13639	O-RING	1		
6	RE565310	PLUG	1		



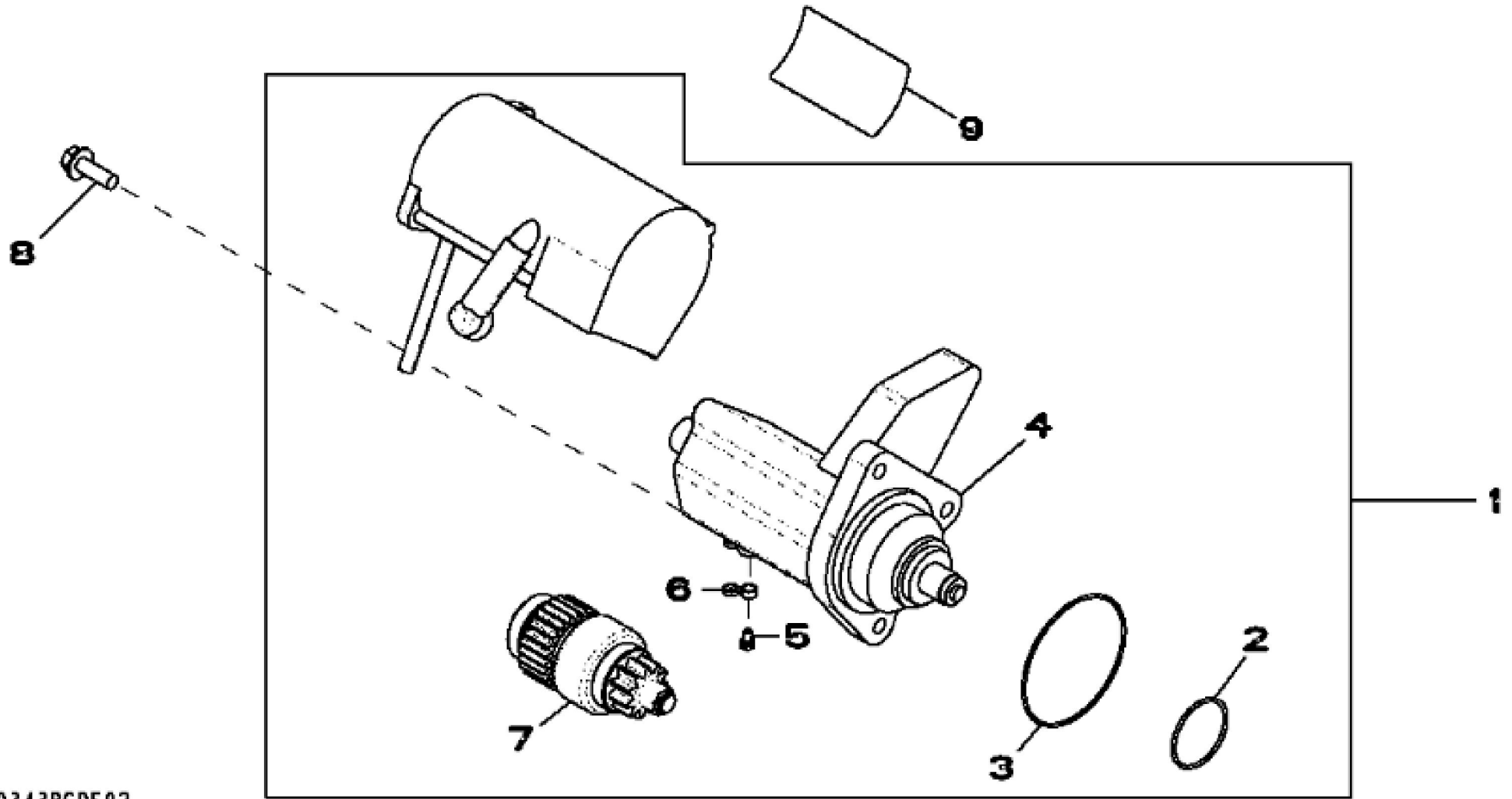
28BM_RE549325_PCD

John Deere > Construction And Forestry > EXCAVATOR > E210LC - EXCAVATOR > E210LC Excavator (PIN: 1YNE21AL__C400021-C400200) > 04 ENGINE 4045HXU05-RE545837 > 0400 ENGINE 4045HXU05-RE545837 4045HXU05 > ST742805 - 28BM EXHAUST MANIFOLD

KEY	PART NO.	PART NAME	QTY	REMARKS	
1	19M7810	SCREW	8	M10 X 80	
2	R534045	EXHAUST MANIFOLD	1	MARKED R517017	
3	R521439	GASKET	4		



KEY	PART NO.	PART NAME	QTY	REMARKS	
1	R120467	ELBOW FITTING	1		
2	R72328	O-RING	1		
3	NF101711	HOSE CLAMP	1		
4	19M7784	SCREW	1	M10 X 20	
5	R134139	HOSE	1		
6	RE65978	CLAMP	1	SUB FOR RE62322	



RE500343PCDE02

Thank you so much for reading.
Please click the “Buy Now!”
button below to download the
complete manual.



After you pay.

You can download the most
perfect and complete manual in
the world immediately.

Our support email:

ebooklibonline@outlook.com