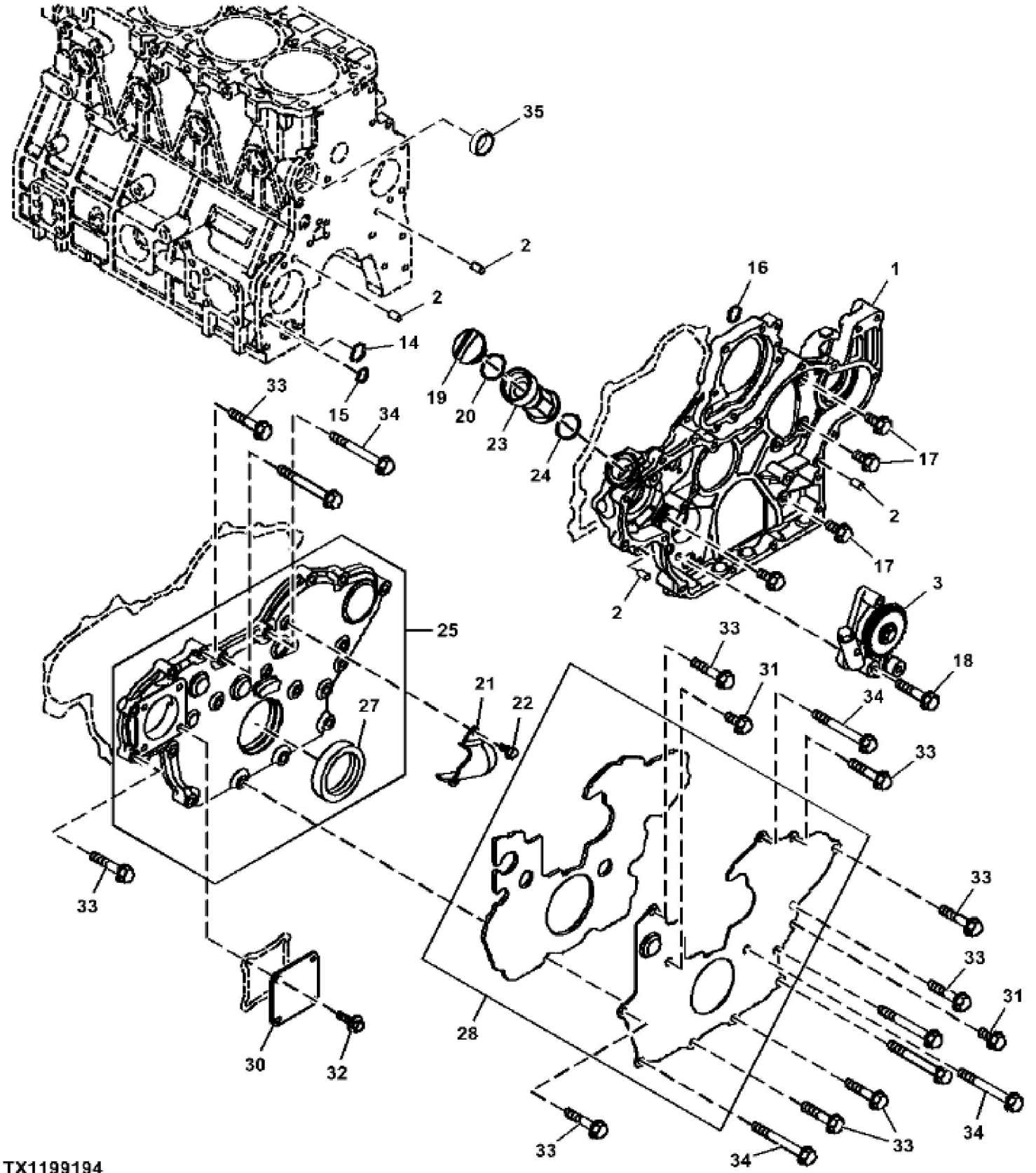


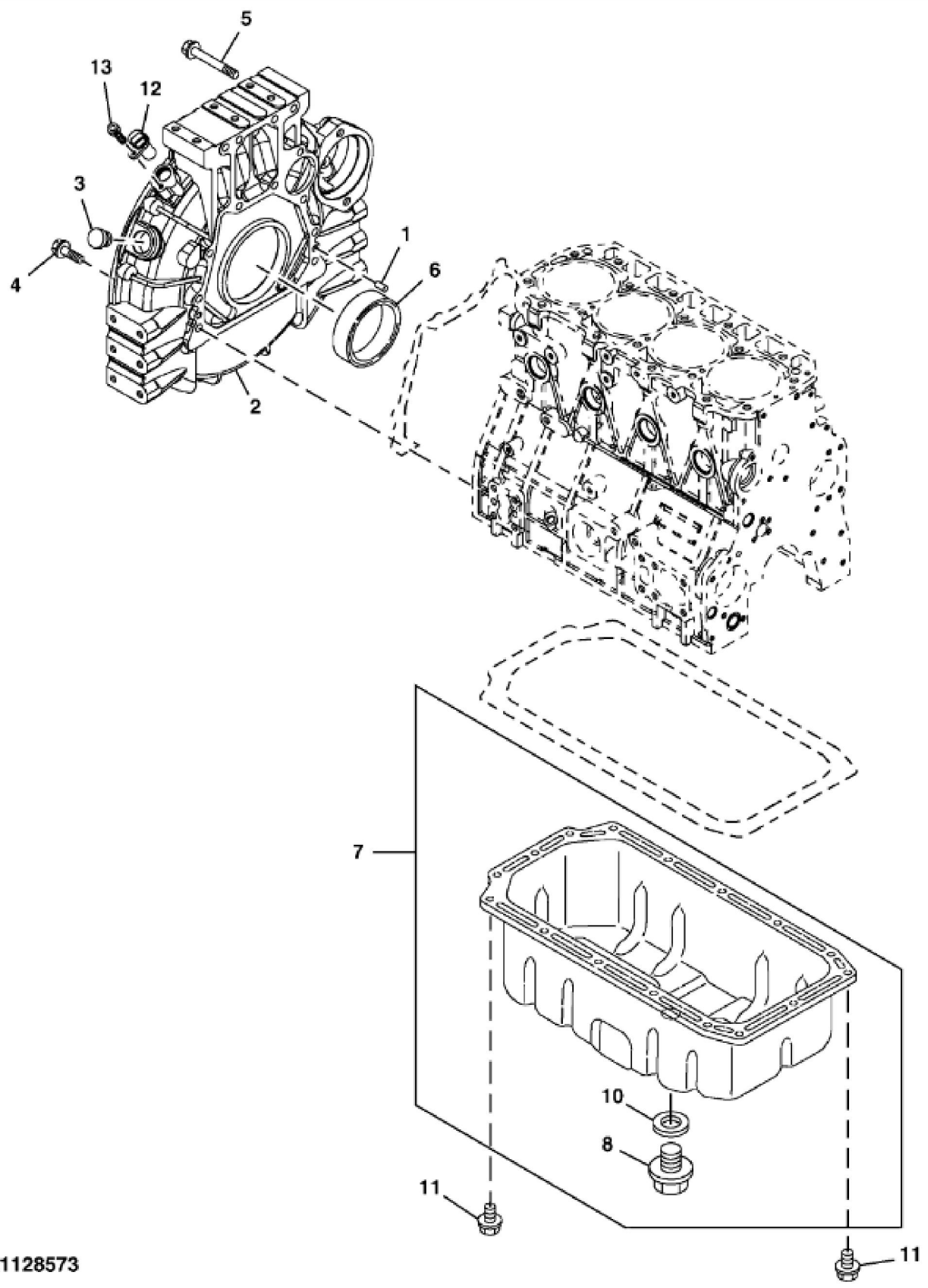
John Deere > Construction And Forestry > EXCAVATOR > 75G - EXCAVATOR > 75G Excavator (PIN: 1FF075GX_ J015001-) > 04 ENGINE - MISC. ENGINE / COMPLETE ENGINE > 0404 CYLINDER BLOCK
 > ST744098 - ENGINE BLOCK

KEY	PART NO.	PART NAME	QTY	REMARKS
1	CYLINDER BLOCK	1	MIA882715 NLA
4	M809594	PLUG	1	
5	15H562	PIPE PLUG	1	1", SUB FOR CH18379
6	AT211653	BOLT	10	
9	AT211656	BUSHING	1	
10	30M7023	PLUG	8	SUB FOR CH10642
11	CH18079	SPRING PIN	2	
12	M806938	PLUG	1	
13	M806938	PLUG	1	
14	M806938	PLUG	1	
24	MIA880556	BEARING	2	
27	AT211658	BOLT	18	
28	MIU802832	GASKET	1	
29	MIA880548	BEARING	5	
32	MIA880547	BEARING	5	Undersize
35	MIA880558	BEARING	2	Set Of Two



TX1199194

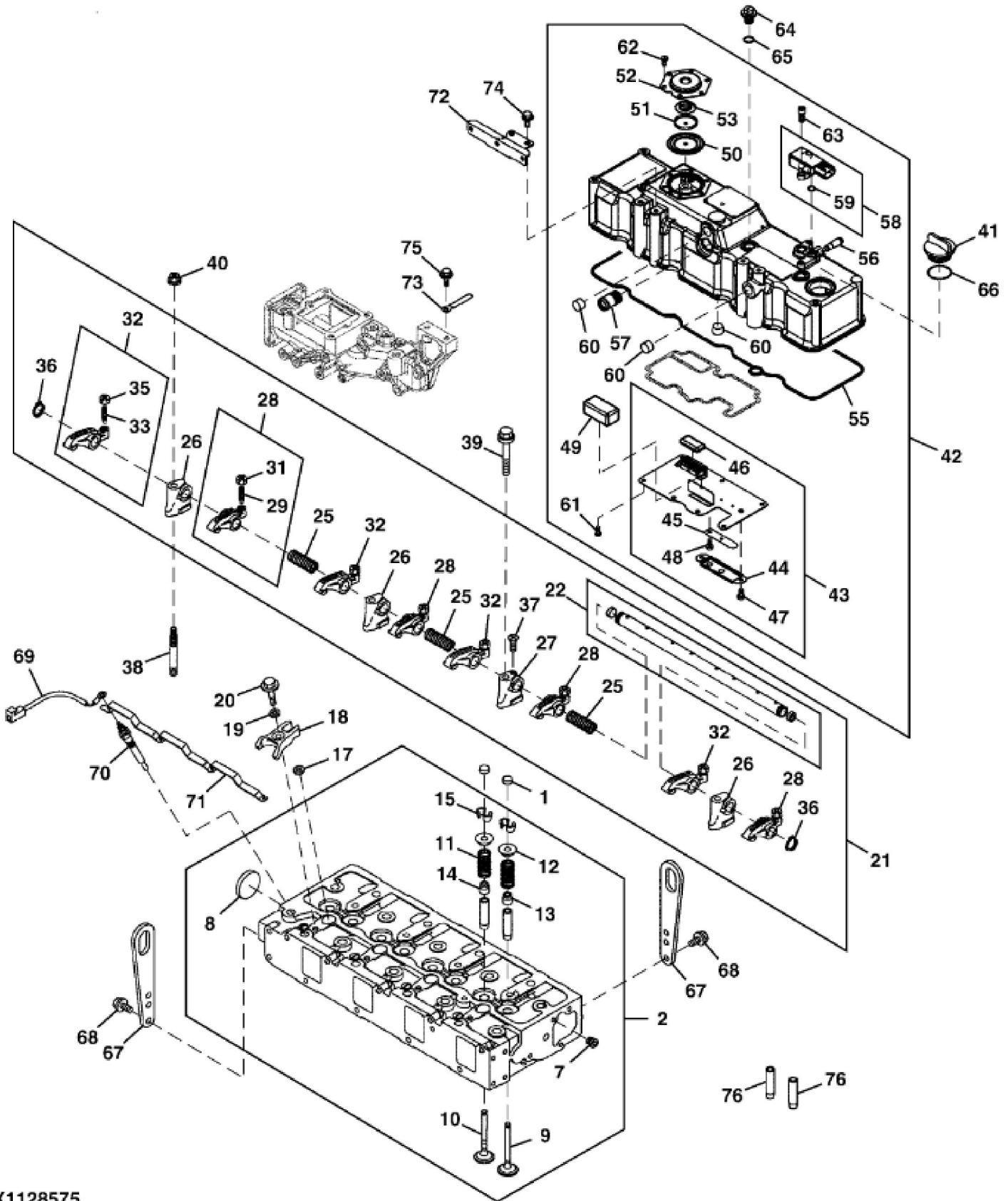
KEY	PART NO.	PART NAME	QTY	REMARKS
1	MIU802981	GEAR CASE	1	
2	M802255	PIN	4	
3	AT212086	HYDRAULIC PUMP	1	
14	AT211670	O-RING	1	
15	AT211671	O-RING	1	
16	CH10567	PACKING	1	
17	CH18390	BOLT	4	
18	CH19101	BOLT	3	
19	M805710	CAP	1	
20	M805711	PACKING	1	
21	COVER	1	NLA
22	M87819	BOLT	2	
23	M800990	EXTENSION	1	
24	M805711	PACKING	1	
25	MIA882716	COVER	1	
27	MIU801096	SEAL	1	
28	COVER	1	NLA
30	CH18096	COVER	1	
31	CH18390	BOLT	2	
32	CH18390	BOLT	4	
33	M89128	BOLT	10	
34	19M7803	SCREW	7	M8 X 70
35	MIU803966	GASKET	1	



TX1128573

John Deere > Construction And Forestry > EXCAVATOR > 75G - EXCAVATOR > 75G Excavator (PIN: 1FF075GX_ J015001-) > 04 ENGINE - MISC. ENGINE / COMPLETE ENGINE > 0404 CYLINDER BLOCK > ST744100 - FLYWHEEL HOUSING AND OIL SUMP

KEY	PART NO.	PART NAME	QTY	REMARKS
1	M802255	PIN	2	
2	MIU802972	FLYWHEEL	1	
3	M88659	PLUG	1	
4	AT211675	CAP SCREW	9	
5	MIU802452	BOLT	4	
6	MIU801095	SEAL	1	
7	MIA881103	RESERVOIR	1	
8	M806544	DRAIN PLUG	1	
10	M806545	WASHER	1	
11	CH19137	BOLT	16	
12	MIU802138	SENSOR	1	Flywheel
13	M800695	BOLT	1	



TX1128575

Thank you so much for reading.
Please click the “Buy Now!”
button below to download the
complete manual.



After you pay.

You can download the most
perfect and complete manual in
the world immediately.

Our support email:

ebooklibonline@outlook.com