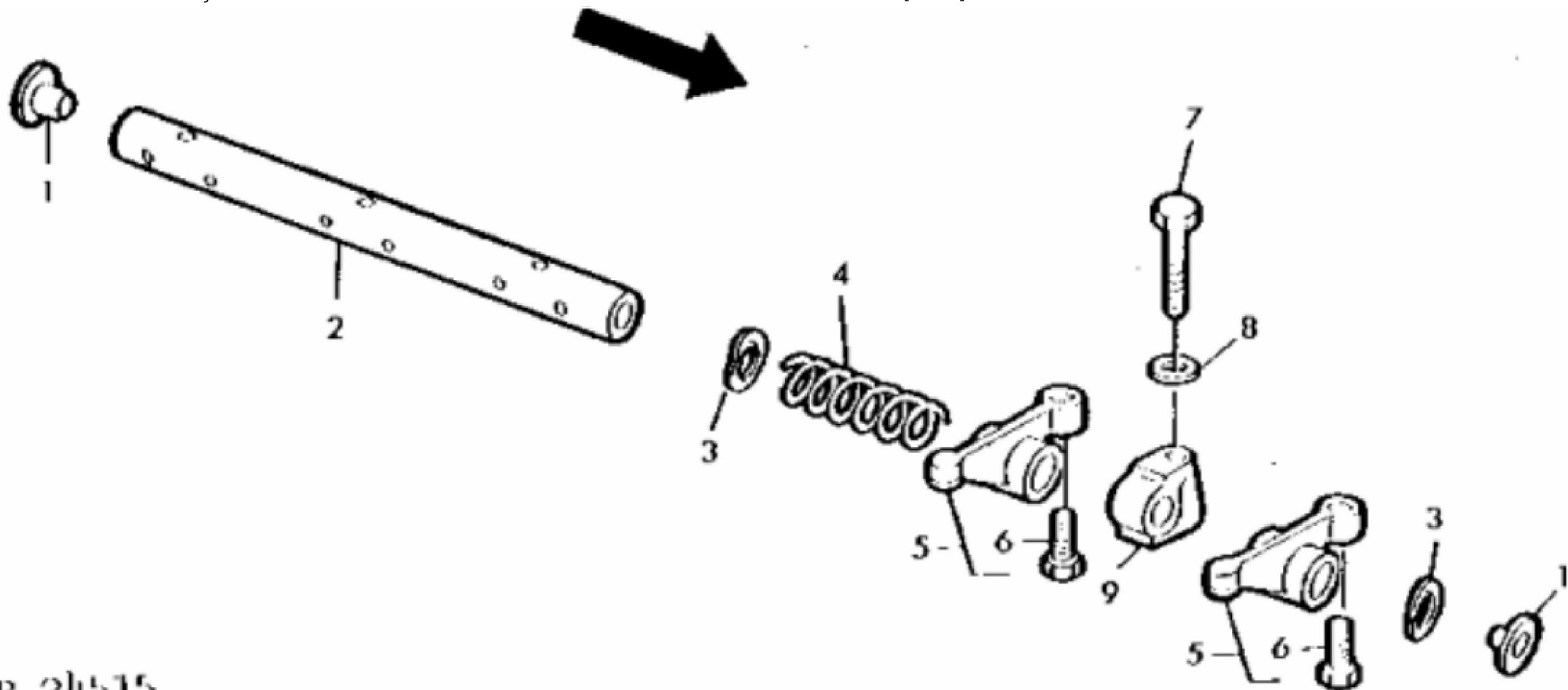


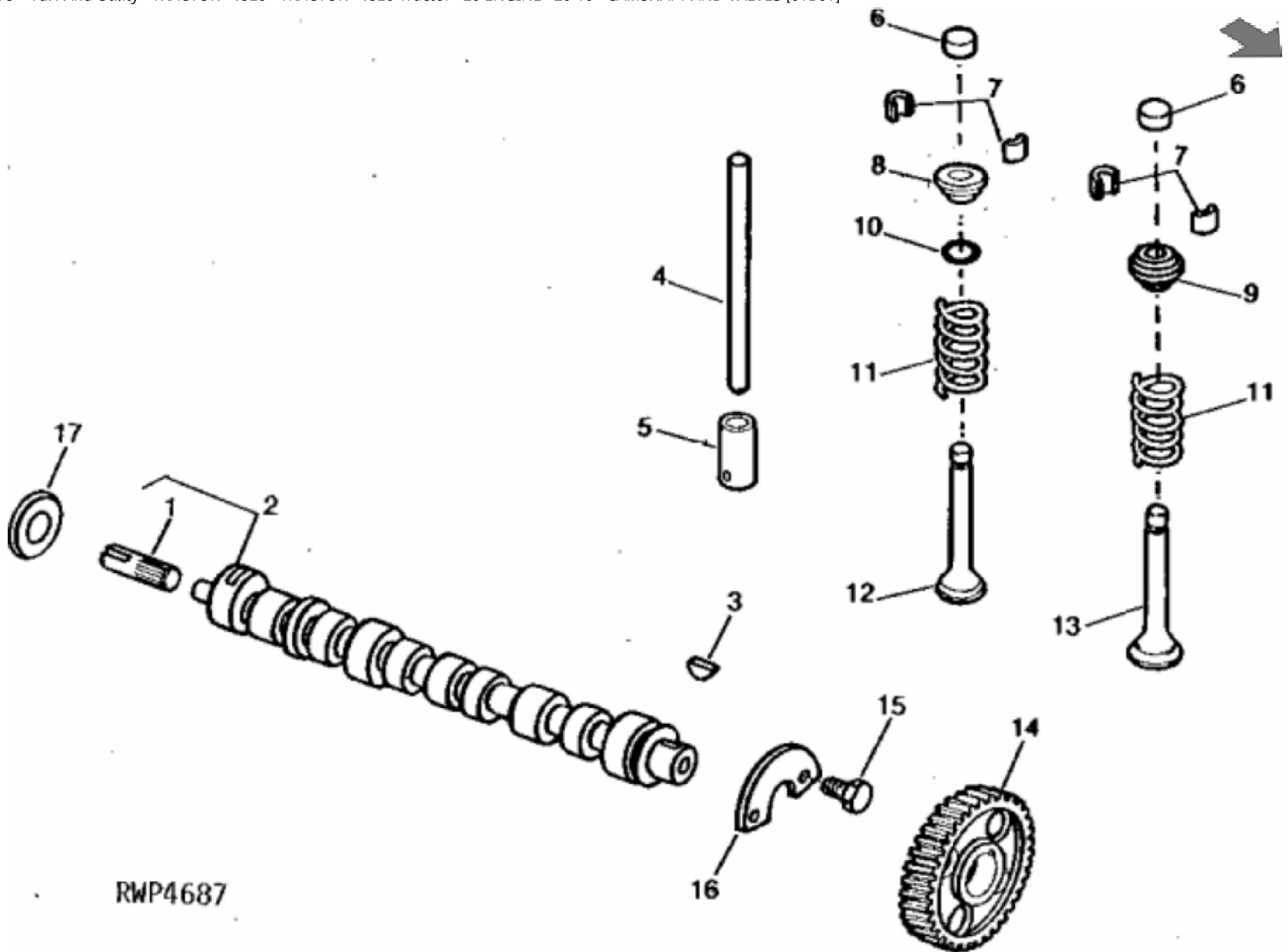
RWP5575

KEY	PART NO.	PART NAME	QTY	Engine Serial No.	REMARKS
1	AR70583	CYLINDER HEAD	1		(A) (MARKED T24755 OR R58685) (SUB FOR AT21799 OR AR70582) (SUB RE56309)
1	AT21332	CYLINDER HEAD	1		(B) (MARKED T19974)
1	15H559	PIPE PLUG	1	____-083276	(A) 1/4"
2	N102039	PLUG	2		(SUB FOR A3910R)
3	R97356	ENGINE CYLINDER HEAD GASKET	1		(A)
3	R98460	ENGINE CYLINDER HEAD GASKET	1		(B) (3.86" BORE) (SUB FOR T20039)
3	R97356	ENGINE CYLINDER HEAD GASKET	1		(B) (4.02" BORE) (SUB FOR R59447 OR R80241)
4	T20168	WASHER	14		
5	T20183	CAP SCREW	14		(A)
5	T20182	CAP SCREW	11		(B)
5	T20184	BOLT	3		(B)
6	R56463	O-RING	1		
7	T20074	TUBE	1		
8	R40791	CLAMP	1		(SUB FOR A4656R)
9	24H1685	WASHER	1		11/32" X 47/64" X 0.083"
10	19H1813	CAP SCREW	1		5/16" X 5/8"
11	AR103811	SCREW WITH WASHER	6		(SUB FOR AR27702 OR AR45530)
12	AT18016	VALVE COVER	1		(SUB RE44202 AND (6) RE32140)
13	T24151	CLAMP	1		
14	T20111	GASKET	1		(SUB R75729 AND (6) AR100124)



R 24515

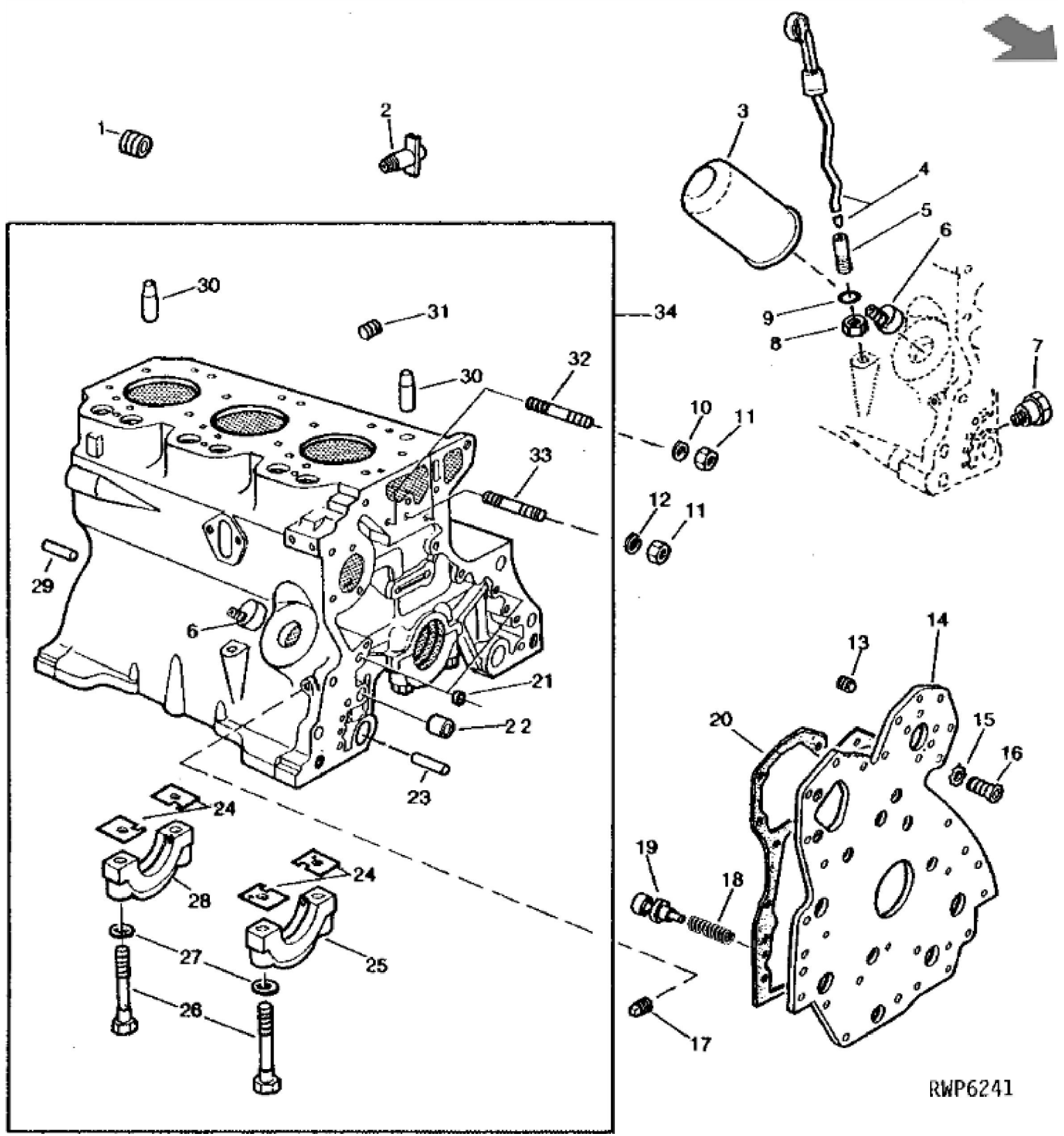
KEY	PART NO.	PART NAME	QTY	REMARKS	
1	R54565	PLUG	2		
2	DD12119	ROCKER ARM SHAFT	1	(ALSO ORDER (2) R54565) (SUB FOR R54985)	
3	T20316	WASHER	2		
4	T20314	SPRING	2		
5	RE19031	ROCKER ARM	6	(SUB FOR AT22665 OR AT31250)	
6	.....	SCREW	1	(ORDER RE19031)	
7	19H1733	CAP SCREW	3	3/8" X 2-1/2"	
8	R42729	WASHER	3	(SUB FOR T23594)	
9	T20315	SUPPORT	3		



RWP4687

KEY	PART NO.	PART NAME	QTY	REMARKS
1	T20071	DRIVE SHAFT	1	
2	AT18053	CAMSHAFT	1	(MARKED T20015) (SUB R82819 AND R81513)
3	T28041	SHAFT KEY	1	
4	R82896	PUSH ROD	6	(A) (SUB FOR T20310)
4	T22893	PIN	6	(B)
5	T20073	TAPPET	6	
6	T20129	CAP	6	(A)
7	T20077	RETAINER	12	
8	R41412	CAP	3	(A) INTAKE, (SUB FOR T20176)
8	T20169	CAP	3	(B) INTAKE
9	T20287	ROTATOR	3	(B) EXHAUST
9	R41412	CAP	3	(A) EXHAUST, (SUB FOR T20176)
10	R27976	O-RING	3	(B)
11	R26125	SPRING	6	
12	R79623	INTAKE VALVE	3	(A) STANDARD, (SUB FOR T20174 OR R52251)
12	R79628	INTAKE VALVE	3	(A) 0.08MM (.003") OVERSIZE STEM, (SUB FOR T23546 OR R57332)
12	R79629	INTAKE VALVE	3	(A) 0.38MM (.015") OVERSIZE STEM, (SUB FOR T23547 OR R57334)
12	R79630	INTAKE VALVE	3	(A) 0.76MM (.030") OVERSIZE STEM, (SUB FOR T23548 OR R57336) (NLA)
12	T25466	INTAKE VALVE	3	(B) STD
12	T26175	INTAKE VALVE	3	(B) 0.08MM (.003") OVERSIZE STEM, (SUB FOR T23540)
12	T26176	INTAKE VALVE	3	(B) 0.38MM (.015") OVERSIZE STEM, (SUB FOR T23541)
12	T26177	INTAKE VALVE	3	(B) 0.76MM (.030") OVERSIZE STEM, (SUB FOR T23542)
13	R79624	EXHAUST VALVE	3	(A) STANDARD, (SUB FOR T20175 OR R52252)
13	R79625	EXHAUST VALVE	3	(A) 0.08MM (.003") OVERSIZE STEM, (SUB FOR T23549 OR R57333)
13	R79626	EXHAUST VALVE	3	(A) 0.38MM (.015") OVERSIZE STEM, (SUB FOR T23550 OR R57335)
13	R79627	EXHAUST VALVE	3	(A) 0.76MM (.030") OVERSIZE STEM, (SUB FOR T23551 OR R57337)
13	T25467	EXHAUST VALVE	3	(B) STD, (SUB FOR T20286)
13	T26178	EXHAUST VALVE	3	(B) 0.08MM (.003") OVERSIZE STEM, (SUB FOR T23543)
13	T26179	EXHAUST VALVE	3	(B) 0.38MM (.015") OVERSIZE STEM, (SUB FOR T23544)

KEY	PART NO.	PART NAME	QTY	REMARKS	
13	T26180	EXHAUST VALVE	3	(B) 0.76MM (.030") OVERSIZE STEM, (SUB FOR T23545)	
14	T20070	HELICAL GEAR	1	(48 TEETH)	
15	19H1731	CAP SCREW	2	3/8" X 1"	
16	T20072	PLATE	1		
17	T20304	WASHER	1		



RWP6241

Thank you so much for reading.  
Please click the “Buy Now!”  
button below to download the  
complete manual.



After you pay.

You can download the most  
perfect and complete manual in  
the world immediately.

Our support email:

[ebooklibonline@outlook.com](mailto:ebooklibonline@outlook.com)