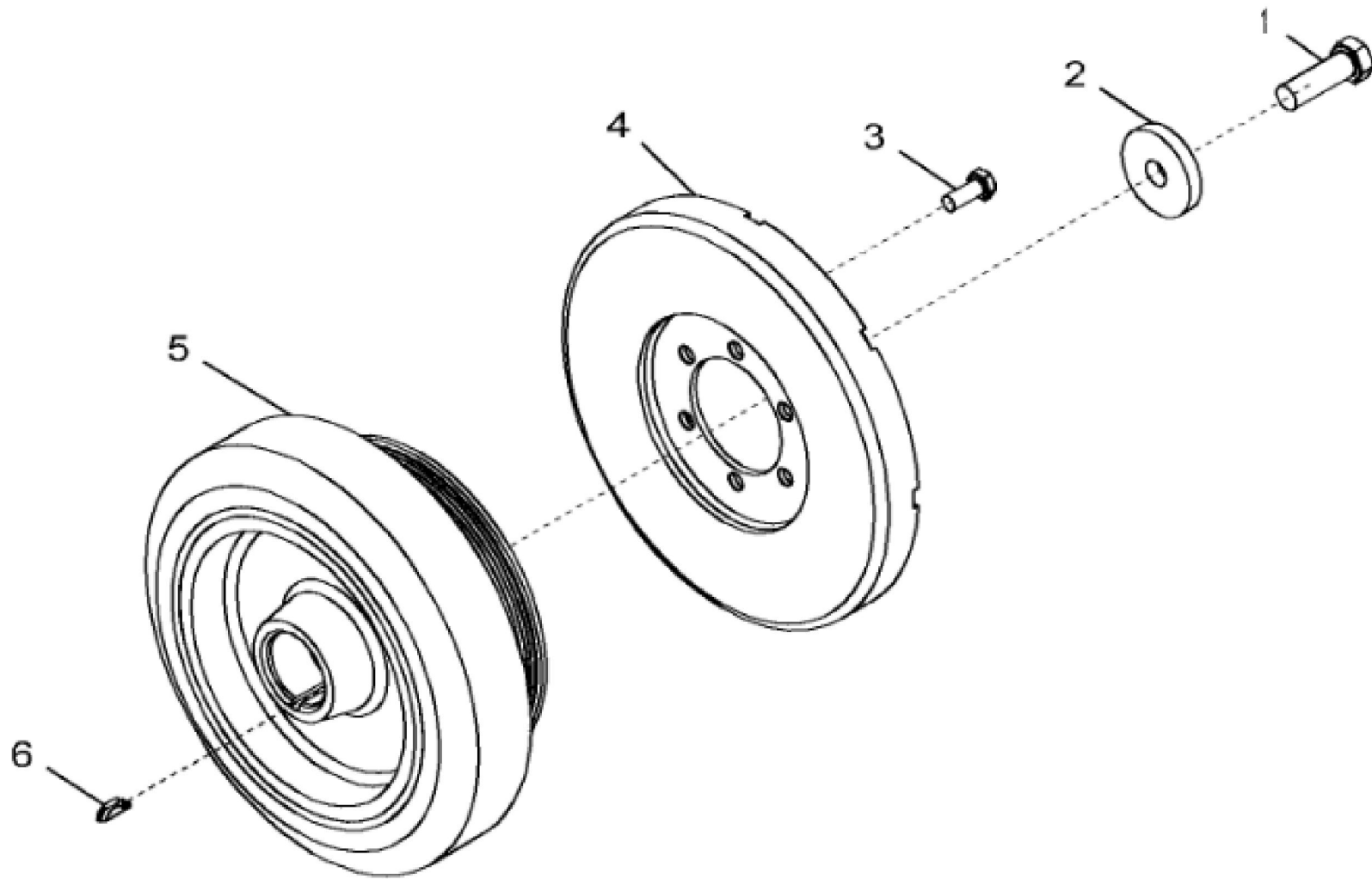


KEY	PART NO.	PART NAME	QTY	REMARKS	
1	R519533	MEDALLION	1		
2	T122075	O-RING	1		
3	RE529871	ELBOW FITTING	1		
4	19M8291	SCREW	15	M8 X 35	
5	RE555920	COVER	1		
6	19M7775	SCREW	2	M6 X 16	
7	19M7796	SCREW	1	M6 X 30	
8	R523317	BREATHER	1		
9	R527884	GASKET	1		
10	RE535517	FILLER CAP	1		

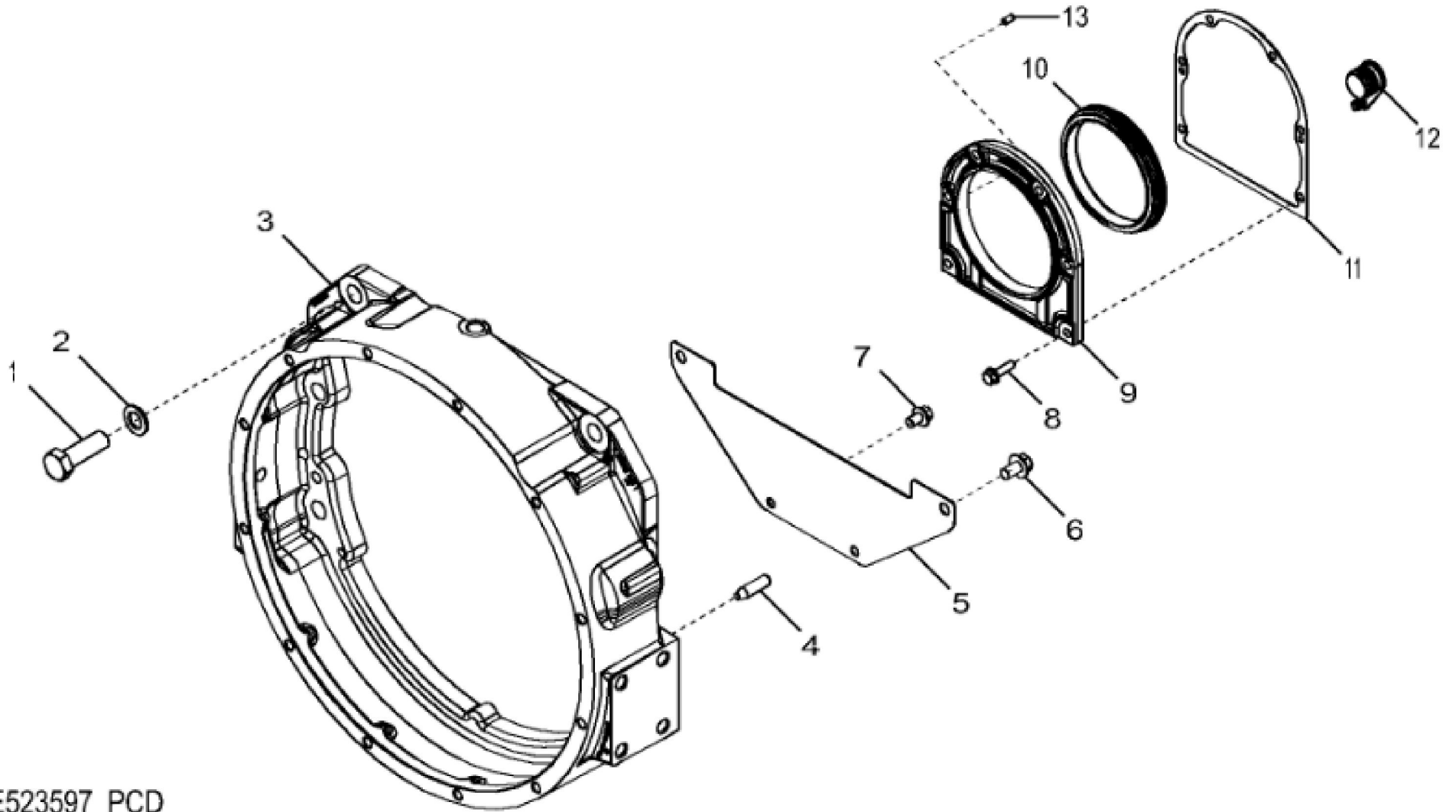


1346_RE523605_PCD

John Deere > Construction And Forestry > EXCAVATOR > E330LC - EXCAVATOR > E330LC Excavator (PIN:1YNE33AL_ _C600002-)(PIN:1YNE33AL_ _D600025-)(Engine: 6090HT009, 6090HT007) >04A

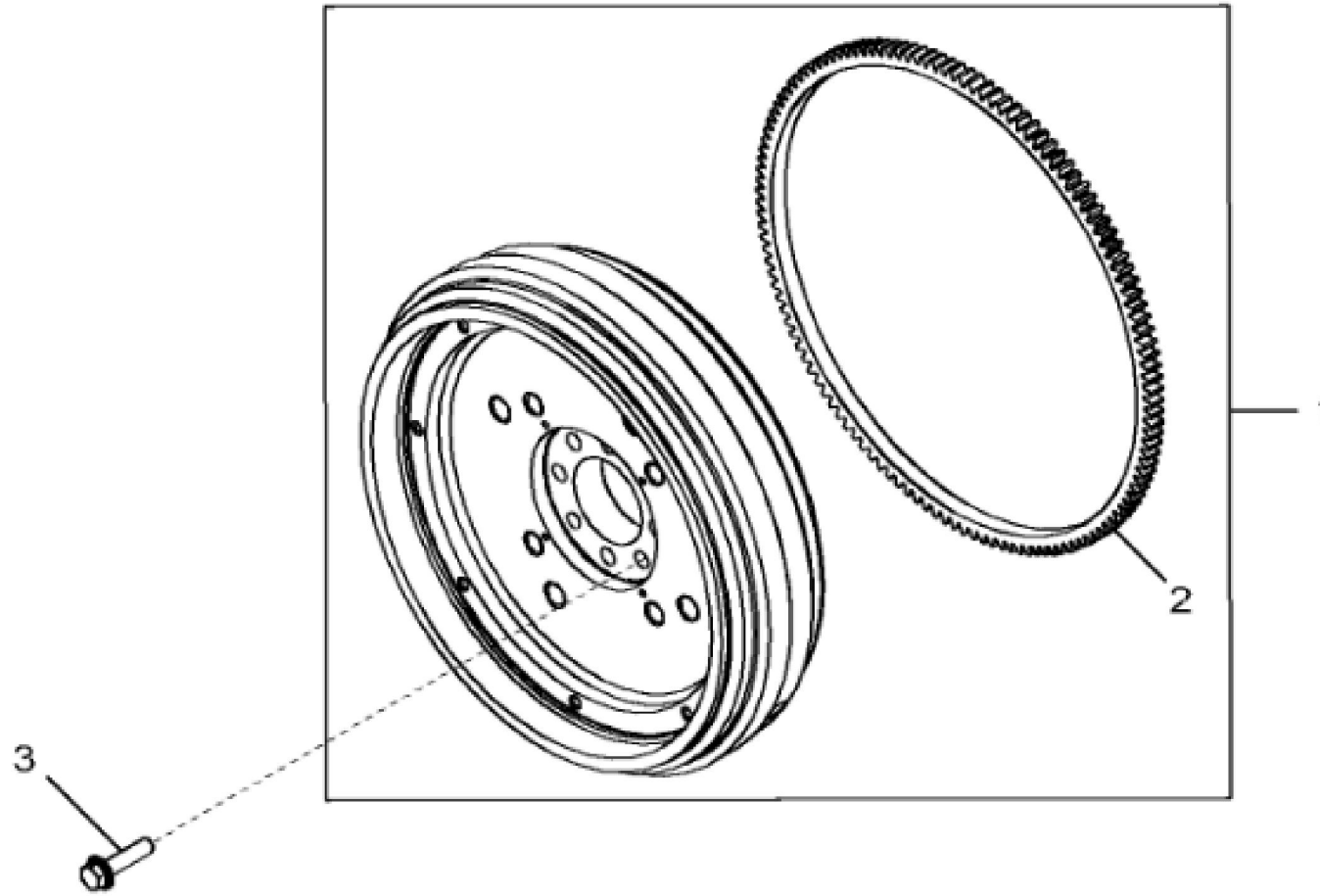
ENGINE 6090HT009-RE543575 >0400A ENGINE 6090HT009-RE543575 6090HT009 >ST23119 - 1346 CRANKSHAFT PULLEY

KEY	PART NO.	PART NAME	QTY	REMARKS	
1	19M8889	CAP SCREW	1	M16 X 50	
2	R26333	WASHER	1		
3	19M7402	CAP SCREW	6	M10 X 25	
4	RE57604	TORSIONAL DAMPER	1		
5	RE522932	PULLEY WITH DAMPENER	1		
6	R523306	KEY	1		



1401_RE523597_PCD

KEY	PART NO.	PART NAME	QTY	REMARKS
1	19M8224	CAP SCREW	6	M20 X 60
2	24M7353	WASHER	6	20 X 34 X 3 mm
3	R520216	HOUSING	1	MARKED R121692
4	H79910	DOWEL PIN	2	
5	R519506	COVER	1	
6	19M7787	SCREW	2	M12 X 20
7	19M7783	SCREW	2	M10 X 16
8	19M7868	SCREW	6	M8 X 30
9	R531312	HOUSING	1	MARKED R545426
10	RE520036	SEAL	1	
11	R522768	GASKET	1	
12	R121929	PLUG	1	
13	F1743R	DOWEL PIN	2	



1543_RE525493_PCD

Thank you so much for reading.
Please click the “Buy Now!”
button below to download the
complete manual.



After you pay.

You can download the most
perfect and complete manual in
the world immediately.

Our support email:

ebooklibonline@outlook.com