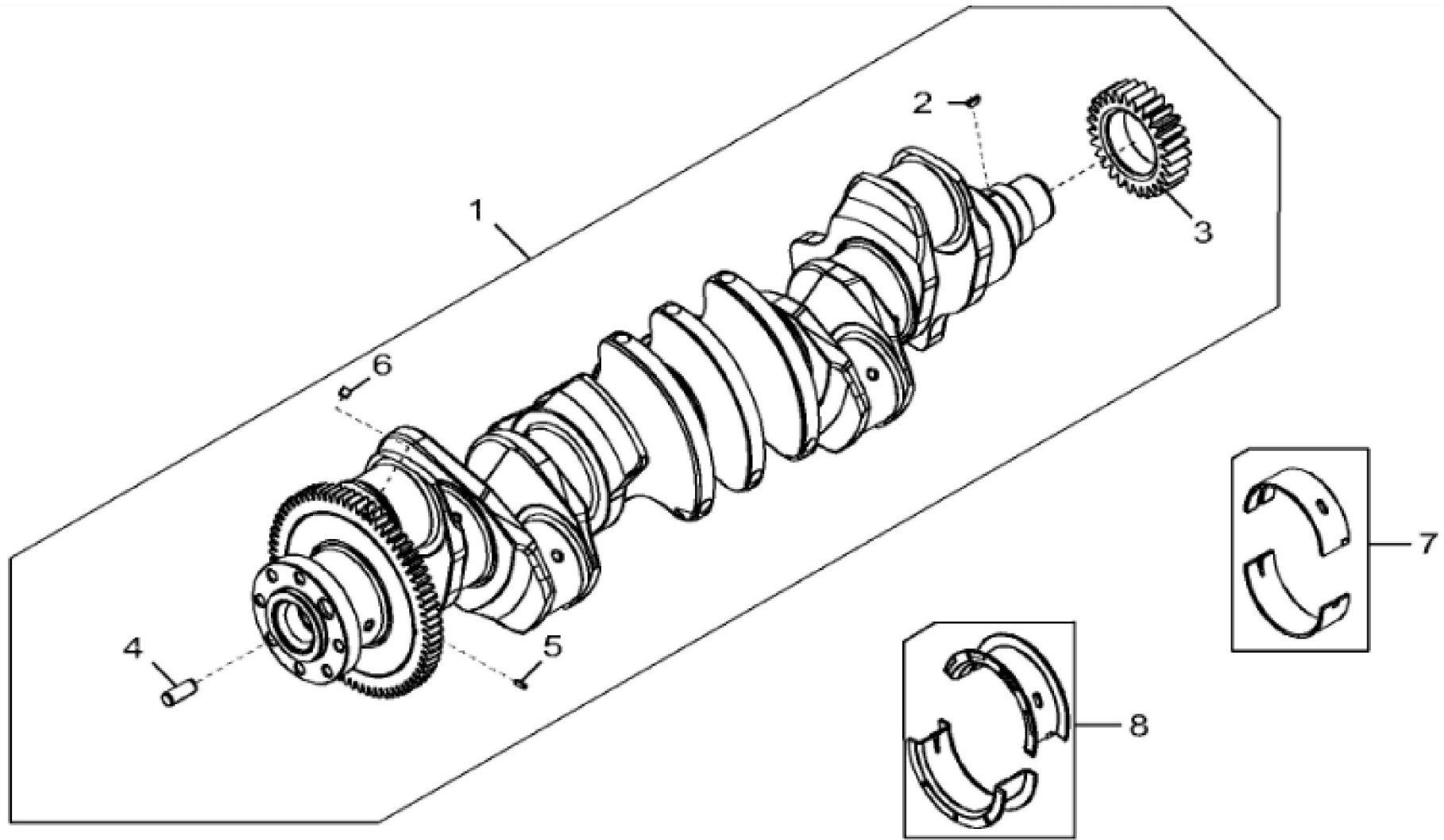


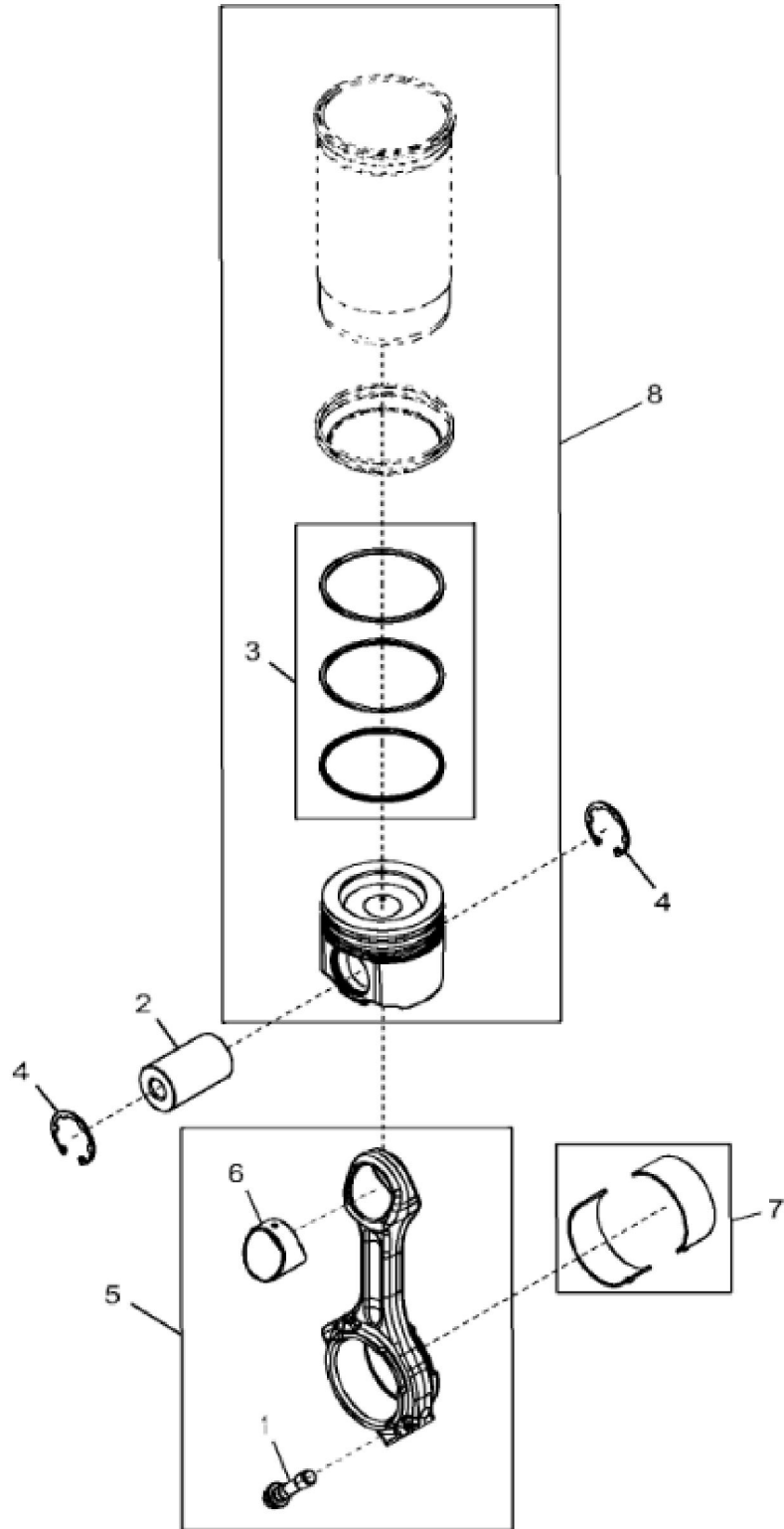
KEY	PART NO.	PART NAME	QTY	REMARKS
1	AT13740	DRAIN VALVE	1	
2	DZ10211	PISTON-LINER KIT	6	PISTON MARKED RE529264; SUB FOR RE545266 OR RE531072
3	RE541037	O-RING KIT	1	SUB FOR AR98850
4	R527468	SHIM	1	TK = 0.004"
4	R93948	SHIM	1	(Not Illustrated) TK = 0.002"
4	R528685	SHIM	1	(Not Illustrated) TK = 0.006"
4	R536310	SHIM	1	(Not Illustrated) TK = 0.008"
4	R536311	SHIM	1	(Not Illustrated) TK = 0.010"
5	R43409	PLUG	1	
6	RE522991	ORIFICE	6	
7	RE555307	CAM FOLLOWER ROLLER	12	SUB FOR RE540586 OR RE535576 OR RE519889
8	RE57836	PIPE PLUG	3	
9	RE519144	SENSOR	2	(Magnetic Pick Up Sensor)
10	51M7044	O-RING	1	17.300 X 2.200 mm
11	RE71255	PIPE PLUG	5	
12	RE167207	SENSOR	1	(Pressure Sensor)
13	R528098	GEAR	1	(Camshaft) Z = 54, SUB FOR R518212
14	R518255	GEAR	1	(Fuel Supply Pump Drive) Z = 64
15	R504811	WASHER	1	
16	26H91	SHAFT KEY	1	3/16" X 1-1/4"
17	R522884	CAMSHAFT	1	SUB FOR R520366
17	SE501775	CAMSHAFT REMAN	1	REMAN FOR R522884
18	...	CYLINDER BLOCK	1	MARKED R542211; ORDER DZ10789 OR DZ10597
18	DZ10789	SHORT BLOCK ASSEMBLY	1	(For Marine Engine)
18	DZ10597	SHORT BLOCK ASSEMBLY	1	(For Non-Marine Engine)
19	R120954	BEARING CAP	1	
20	R519287	CAP SCREW	14	
21	R120953	BEARING CAP	6	
22	R527877	BUSHING	6	
23	R82007	PLUG	1	
24	R54326	O-RING	6	
25	R518034	BUSHING	1	



4701\_RE523130\_PCD

John Deere > Construction And Forestry > EXCAVATOR > E360 - EXCAVATOR > E360 Excavator (PIN: 1YNE36A\_\_C600002-)(PIN: 1YNE36A\_\_D600069- )(Engine: 6090HT009,6090HT007) > 04A ENGINE 6090HT009-RE543575 > 0400A ENGINE 6090HT009-RE543575 6090HT009 > ST30568 - 4701 CRANKSHAFT

KEY	PART NO.	PART NAME	QTY	REMARKS	
1	RE540429	CRANKSHAFT	1	MARKED R526075; SUB FOR RE534315	
2	R120752	KEY	1		
3	R104587	GEAR	1		
4	R41934	DOWEL PIN	1		
5	34M7089	DOWEL PIN	1	4 X 12 mm	
6	AT107510	PLUG	6		
7	RE529319	BEARING	6	KIT; MARKED R519427 AND R519428	
8	RE529320	THRUST BEARING	1	KIT; MARKED R519429 AND R519430	



KEY	PART NO.	PART NAME	QTY	REMARKS
1	R542878	CAP SCREW	12	
2	DZ101959	PISTON PIN	6	OD = 47 mm, LGTH = 79 mm, SUB FOR R517073
3	DZ10083	PISTON RING	6	PKG (3), SUB FOR RE539642
4	R519640	SNAP RING	12	
5	DZ100117	CONNECTING ROD	6	MARKED DZ100421, SUB FOR RE517436 OR RE535554
5	SE501759	CONNECTING ROD REMAN	AR	REMAN FOR RE535554
5	SE501748	CONNECTING ROD REMAN	AR	REMAN FOR RE517436
6	R74008	BUSHING	6	
7	RE529318	BEARING	6	KIT; R519454
8	DZ10211	PISTON-LINER KIT	6	PISTON MARKED RE529264, SUB FOR RE545266 OR RE571507



Thank you so much for reading.  
Please click the “Buy Now!”  
button below to download the  
complete manual.



After you pay.

You can download the most  
perfect and complete manual in  
the world immediately.

Our support email:

[ebooklibonline@outlook.com](mailto:ebooklibonline@outlook.com)