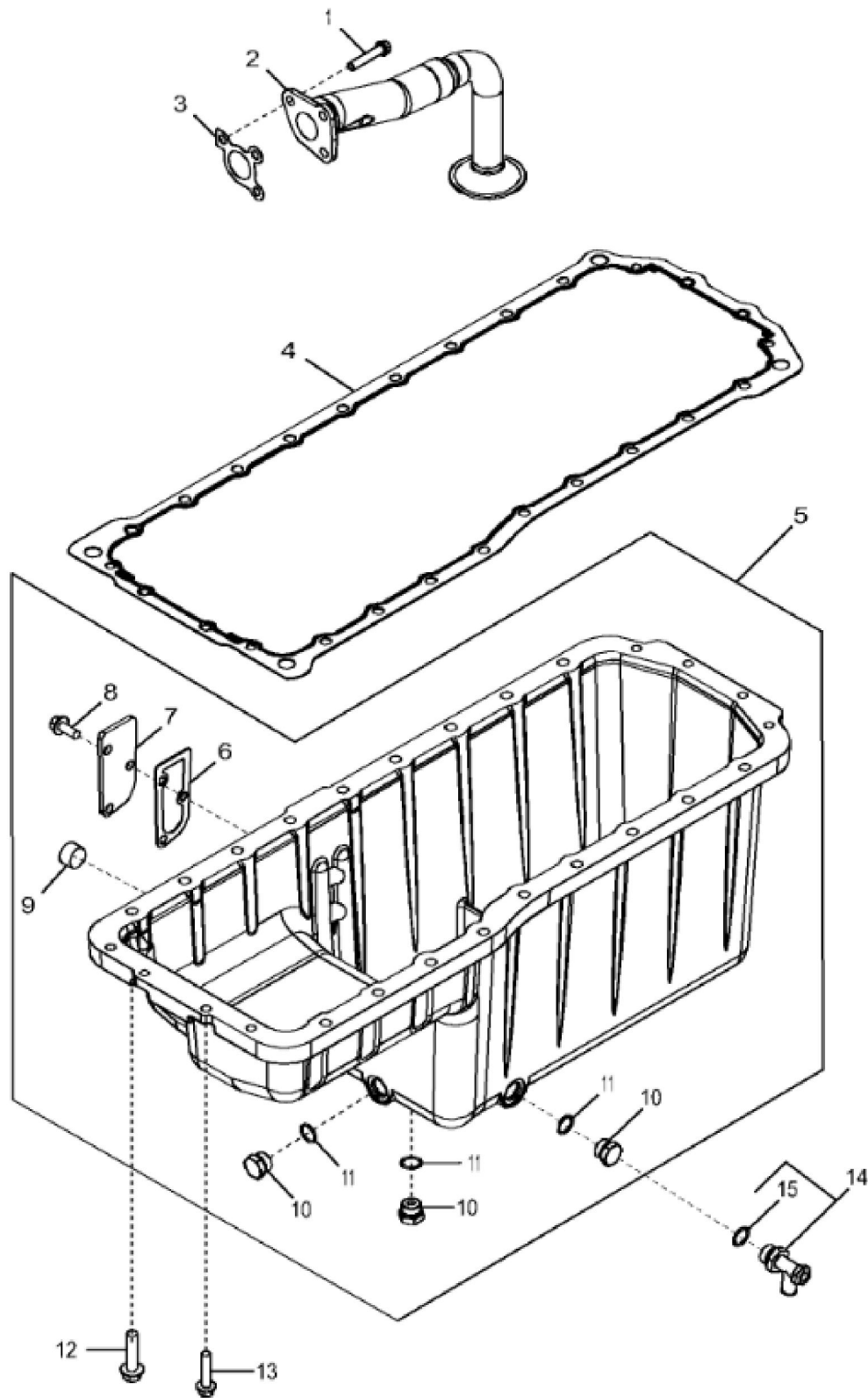


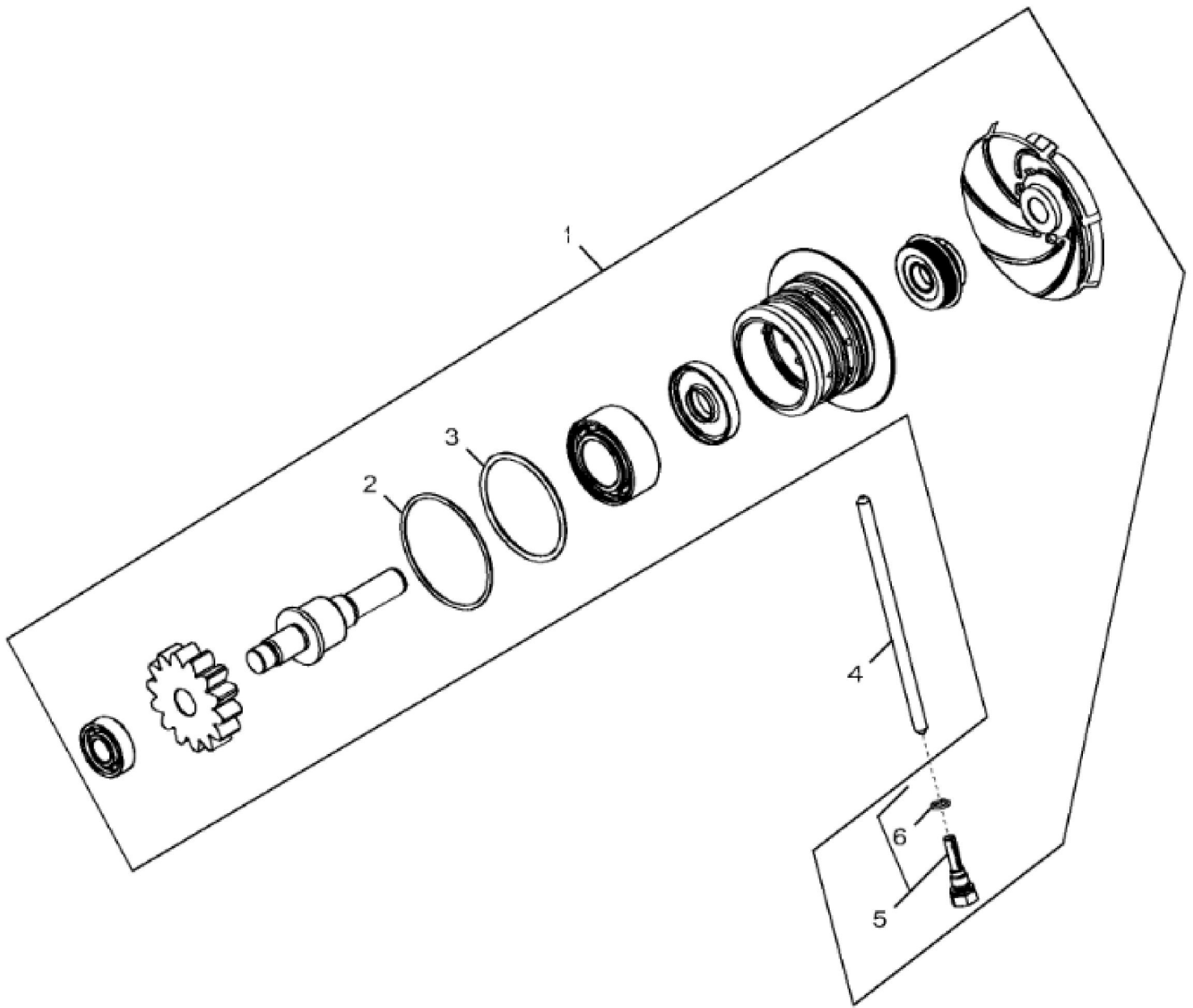
1721_RE553407_PCD

John Deere > Construction And Forestry > EXCAVATOR > 350GLC - EXCAVATOR > 350GLC Excavator (PIN: 1FF350GX_ F809192-)(Engine 6090HT012) > 04A ENGINE 6090HT012 -RE548089 > 0400A ENGINE 6090HT012 -RE548089 6090HT012 > ST790850 - 1721 AIR INTAKE

KEY	PART NO.	PART NAME	QTY	REMARKS	
1	R532724	GASKET	1		
2	RE537639	MANIFOLD AIR PRESS. SENSOR	1		
3	RE537635	TEMPERATURE SENSOR	2		
4	RE550968	INTAKE MANIFOLD	1		
5	R548750	SEALING WASHER	7		
6	19M10075	SCREW	7	M8 X 110	
7	R528304	SEAL	1		
8	14M7296	FLANGE NUT	4	M10	
9	R527998	AIR INTAKE	1		
10	R528163	GASKET	2		
11	RE536574	VALVE	1		
12	R532016	NOZZLE	1		
13	19M8874	SCREW	4	M8 X 75	
14	19M10219	SCREW	6	M8 X 80	
15	19M10270	SCREW	1	M8 X 55	

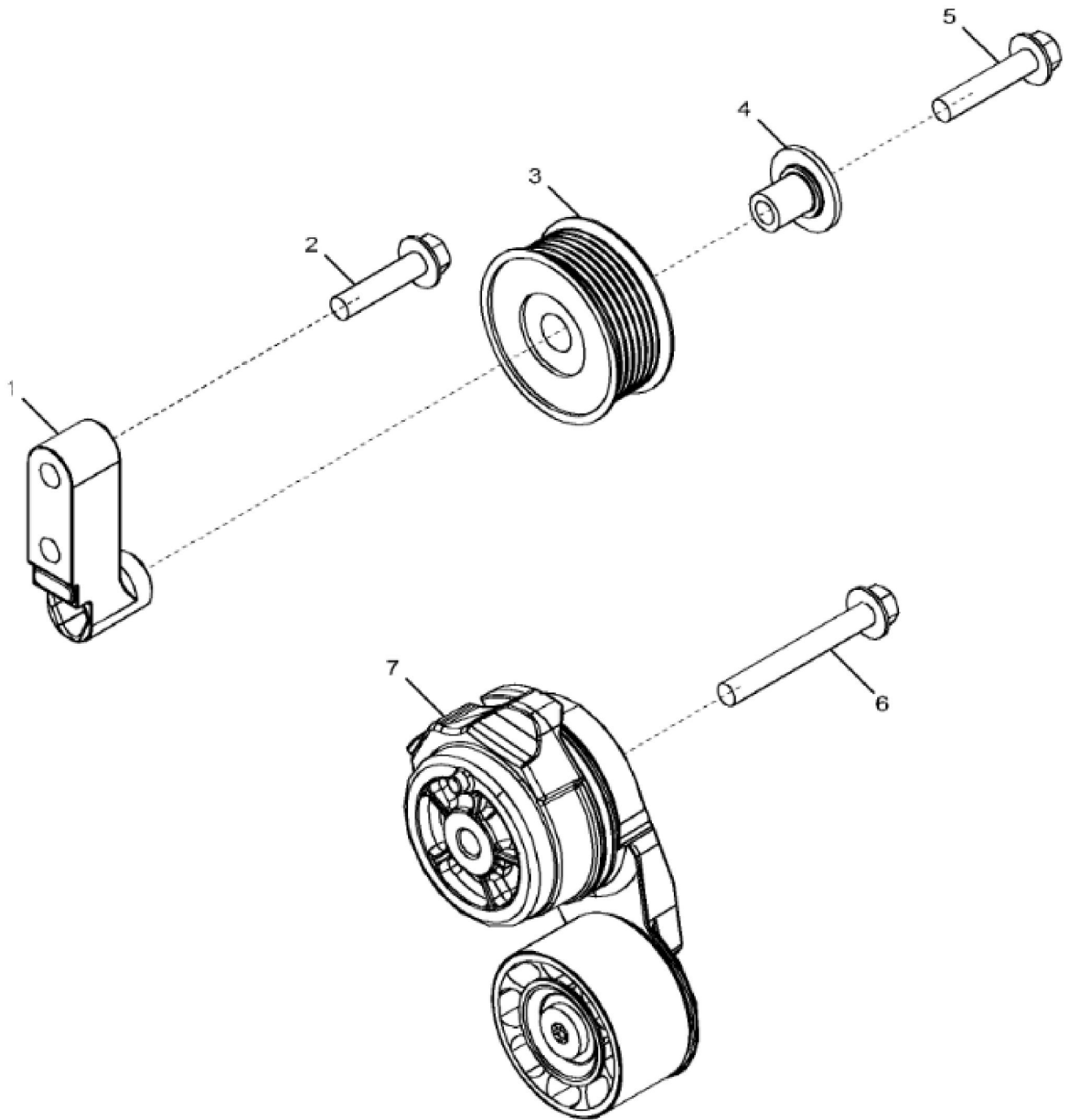


KEY	PART NO.	PART NAME	QTY	REMARKS
1	R536840	SCREW	3	
2	RE523867	OIL PUMP INTAKE	1	
3	R100569	GASKET	1	
4	R527658	GASKET	1	
5	RE523896	OIL PAN	1	
6	RE63439	GASKET	1	
7	R519285	COVER	1	
8	19M7785	SCREW	3	M10 X 25
9	15H690	PIPE PLUG	1	3/4"
10	R27474	DRAIN PLUG	3	
11	R47151	O-RING	3	
12	19M8306	SCREW	18	M12 X 50
13	19M7806	SCREW	8	M10 X 50
14	AT152180	DRAIN VALVE	1	
15	R26906	O-RING	1	



John Deere > Construction And Forestry > EXCAVATOR > 350GLC - EXCAVATOR > 350GLC Excavator (PIN: 1FF350GX_ F809192-)(Engine 6090HT012) > 04A ENGINE 6090HT012 -RE548089 > 0400A ENGINE 6090HT012 -RE548089 6090HT012 > ST21695 - 2002 WATER PUMP

KEY	PART NO.	PART NAME	QTY	REMARKS	
1	DZ102107	WATER PUMP	1	SUB FOR RE548846 OR RE553432	
1	SE502545	WATER PUMP REMAN	AR	REMAN FOR DZ102107 OR RE553432	
2	RE542557	FITTING	1		
3	51M7039	O-RING	1	8.100 X 1.600 mm	
4	R527385	PIN	1		
5	DZ104600	O-RING KIT	1		
6	R539366	O-RING	1		



Thank you so much for reading.
Please click the “Buy Now!”
button below to download the
complete manual.



After you pay.

You can download the most
perfect and complete manual in
the world immediately.

Our support email:

ebooklibonline@outlook.com