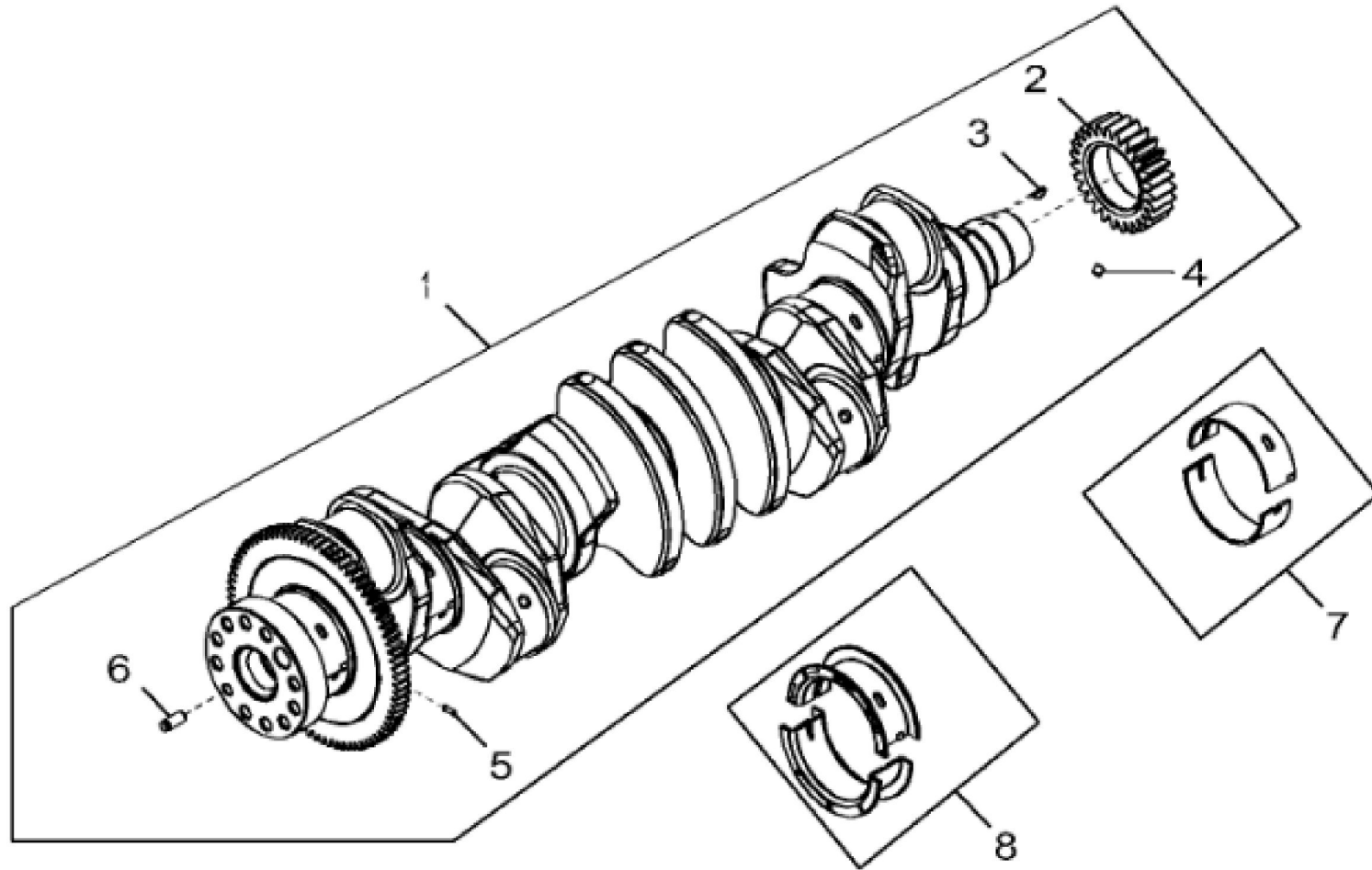
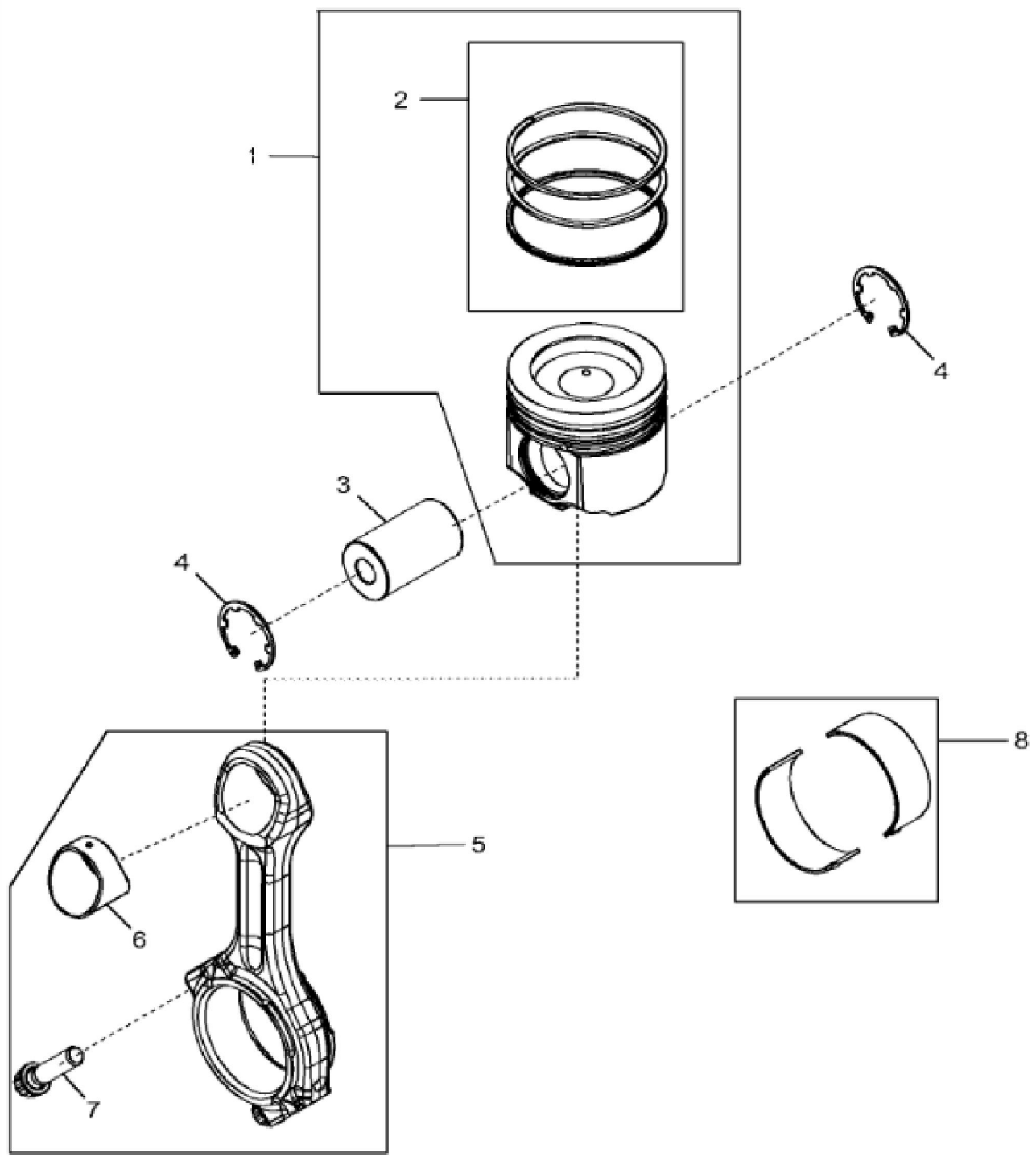


KEY	PART NO.	PART NAME	QTY	REMARKS
1	R504811	WASHER	1	
2	R522884	CAMSHAFT	1	SUB FOR R520366
2	SE501775	CAMSHAFT REMAN	1	REMAN FOR R522884
3	R542281	GEAR	1	SUB FOR R518255
4	R543260	GEAR	1	SUB FOR R528098
5	26H91	SHAFT KEY	1	3/16" X 1-1/4"
6	CYLINDER BLOCK	1	MARKED R534403; ORDER DZ10590
7	R527877	BUSHING	6	
8	R120954	BEARING CAP	1	
9	R120953	BEARING CAP	6	
10	R519287	CAP SCREW	14	
11	R82007	PLUG	1	
12	RE57836	PIPE PLUG	2	
13	RE537640	ENGINE OIL PRESS. SENSOR	1	(Engine Oil Pressure Sensor)
14	RE537634	SENSOR	2	(Magnetic Pick Up Sensor)
15	RE555307	CAM FOLLOWER ROLLER	12	SUB FOR RE540586
16	RE46686	FITTING	2	
17	51M7040	O-RING	2	9.300 X 2.200 mm
18	RE546932	FITTING	2	
19	RE71255	PIPE PLUG	2	
20	AT13740	DRAIN VALVE	1	
21	RE522991	ORIFICE	6	
22	CYLINDER LINER	6	(Order Piston liner Kit)
23	RE541037	O-RING KIT	6	
24	R527468	SHIM	6	
25	DZ10083	PISTON RING	1	



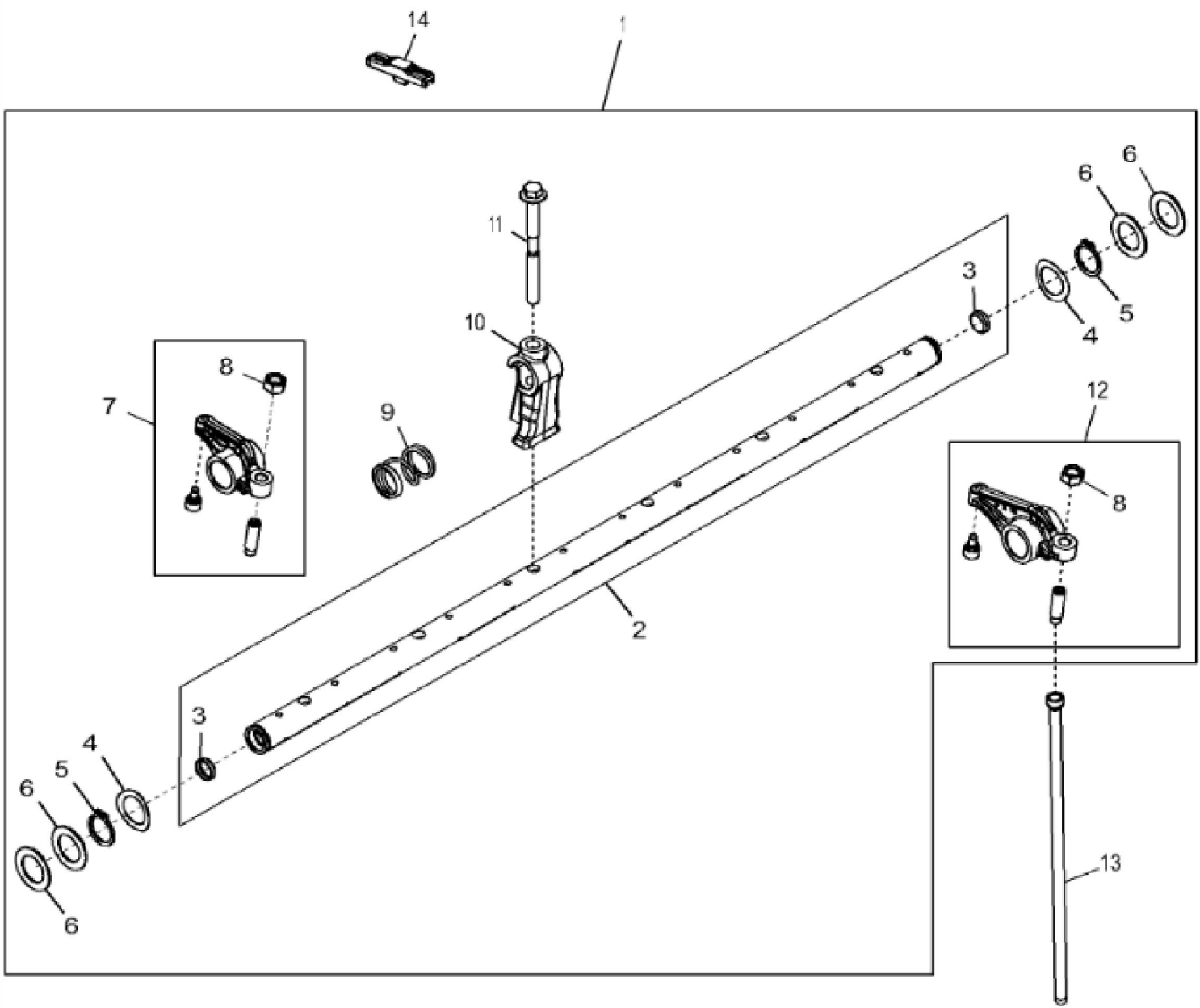
John Deere > Construction And Forestry > EXCAVATOR > 380GLC - EXCAVATOR > 380GLC Excavator (PIN: 1FF380GX_ F900006-)(Engine 6090HT012) > 04A ENGINE 6090HT012 -RE548089 > 0400A ENGINE 6090HT012 -RE548089 6090HT012 > ST120905 - 4702 CRANKSHAFT AND BEARINGS

KEY	PART NO.	PART NAME	QTY	REMARKS	
1	RE565972	CRANKSHAFT	1	MARKED DZ100385; SUB FOR RE548603 OR RE533517	
1	SE502713	CRANKSHAFT REMAN	1	(With Bearings) REMAN FOR RE565972	
2	R543259	GEAR	1		
3	R120752	KEY	1		
4	AT107510	PLUG	6		
5	34M7089	DOWEL PIN	1	4 X 12 mm	
6	44M7036	DOWEL PIN	1		
7	RE529319	BEARING	6		
8	RE529320	THRUST BEARING	1		



John Deere > Construction And Forestry > EXCAVATOR > 380GLC - EXCAVATOR > 380GLC Excavator (PIN: 1FF380GX_ F900006-)(Engine 6090HT012) > 04A ENGINE 6090HT012 -RE548089 > 0400A ENGINE 6090HT012 -RE548089 6090HT012 > ST746151 - 4805 CONNECTING RODS AND PISTONS

KEY	PART NO.	PART NAME	QTY	REMARKS	
1	DZ10207	PISTON-LINER KIT	6	PISTON MARKED RE555132; SUB FOR RE542629	
2	DZ10083	PISTON RING	1	SUB FOR RE539642	
3	DZ101959	PISTON PIN	6	SUB FOR R517073	
4	R519640	SNAP RING	12		
5	RE565318	CONNECTING ROD	6	MARKED DZ100420; SUB FOR RE537877	
5	SE502544	CONNECTING ROD REMAN	6	REMAN FOR RE537877 AND RE565318	
6	R74008	BUSHING	1		
7	R542878	CAP SCREW	2	SUB FOR R501035	
8	RE538581	BEARING	6		



Thank you so much for reading.
Please click the “Buy Now!”
button below to download the
complete manual.



After you pay.

You can download the most
perfect and complete manual in
the world immediately.

Our support email:

ebooklibonline@outlook.com