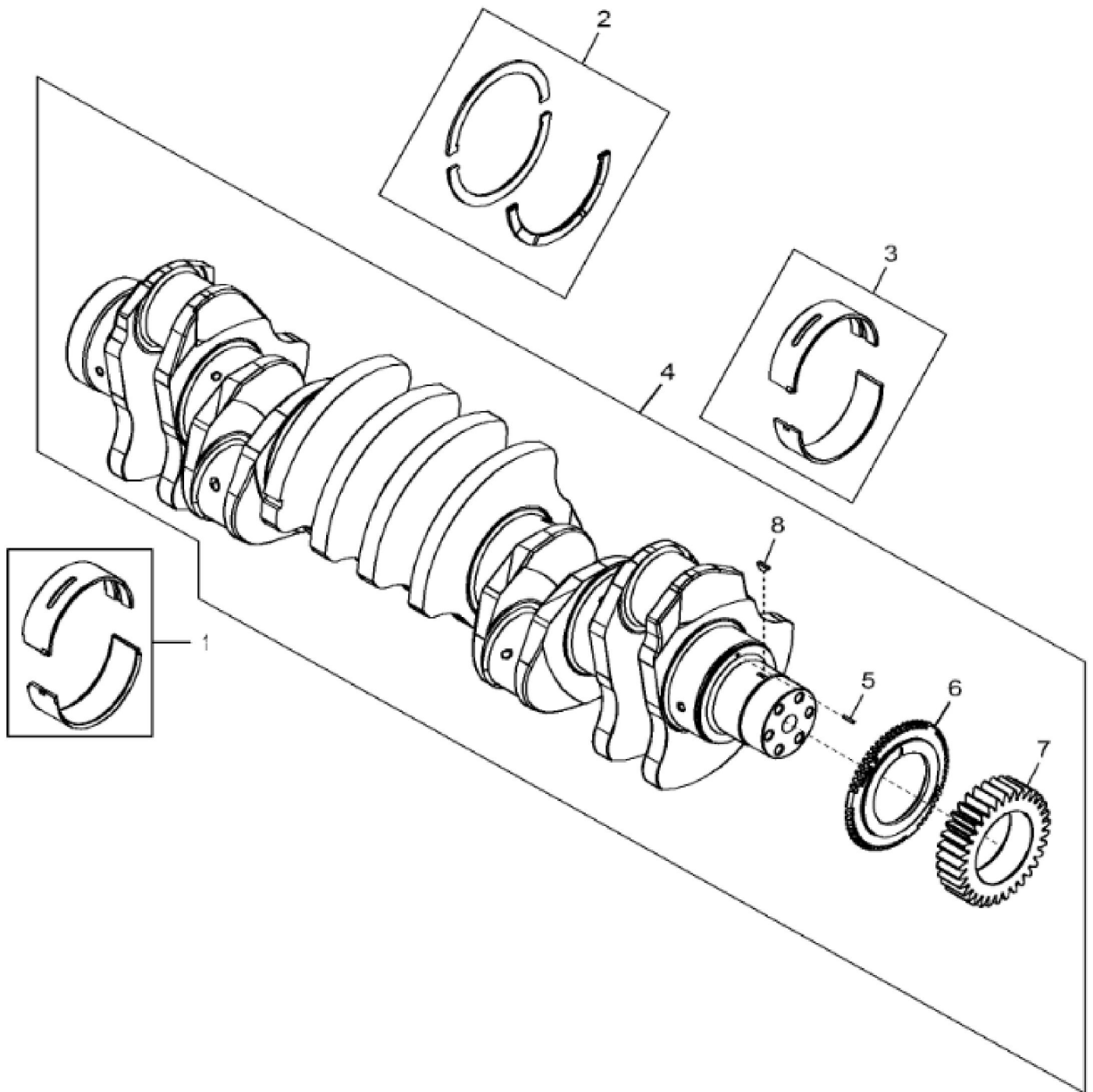


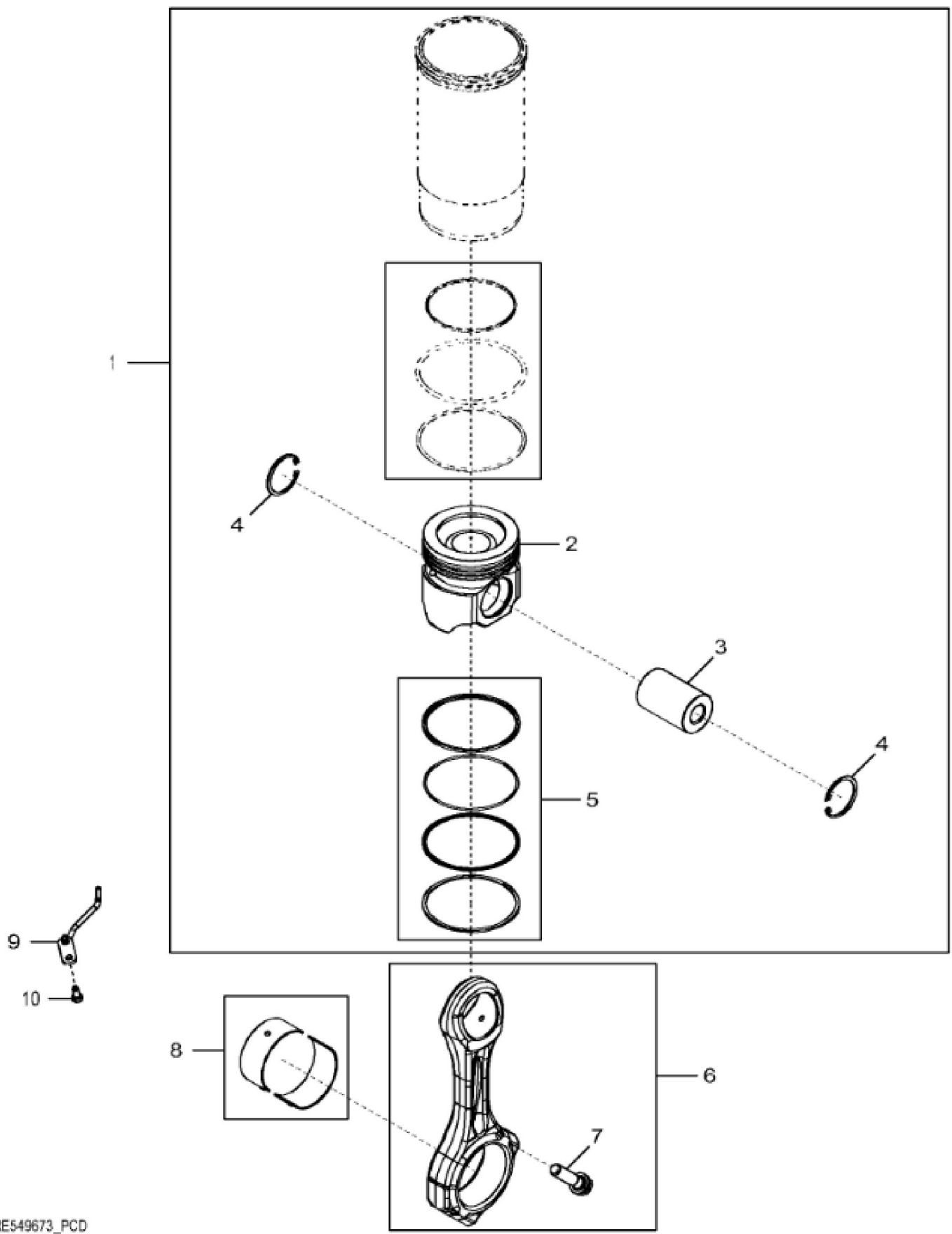
John Deere > Construction And Forestry >DOZER, CRAWLER >6135HT003 - DOZER, CRAWLER >1050K Crawler Dozer (PIN: 1T01050K_F268234-) >04B ENGINE 6135HT003-RE548819 >0400B ENGINE 6135HT003-RE548819 6135HT003 >ST765530 - 4610 CYLINDER BLOCK

KEY	PART NO.	PART NAME	QTY	REMARKS
1	RE570135	PISTON-LINER KIT	6	(FT4) PISTON MARKED RE561885
1	RE559263	PISTON-LINER KIT	6	(IT4) PISTON MARKED RE544914
1	RE559262	PISTON-LINER KIT	6	(Tier 3) PISTON MARKED R517128; SUB FOR RE530808
2	RE547712	O-RING KIT	1	
3	R535114	SHIM	1	
4	R116466	PLUG	1	
5	RE46684	FITTING PLUG	2	
6	51M7041	O-RING	1	11.300 X 2.200 mm
7	R524857	PLUG	2	ID = 9.0 mm, SUB FOR R504174
8	T21937	PLUG	2	
9	R539554	PLUG	1	SUB FOR R529706
10	...	CYLINDER BLOCK	1	MARKED R528160; ORDER RE560634
10	RE560634	SHORT BLOCK ASSEMBLY	1	
11	R529786	CAP SCREW	14	
12	R518501	BEARING CAP	6	
13	R518573	BEARING CAP	1	
14	AT107509	PLUG	1	ID = 6.5 mm
15	R502753	PLUG	1	
16	64M5024	DRAIN PLUG	1	
17	51M7048	O-RING	1	29.600 X 2.900 mm
18	RE539116	FITTING	1	
19	51M7047	O-RING	1	23.600 X 2.900 mm



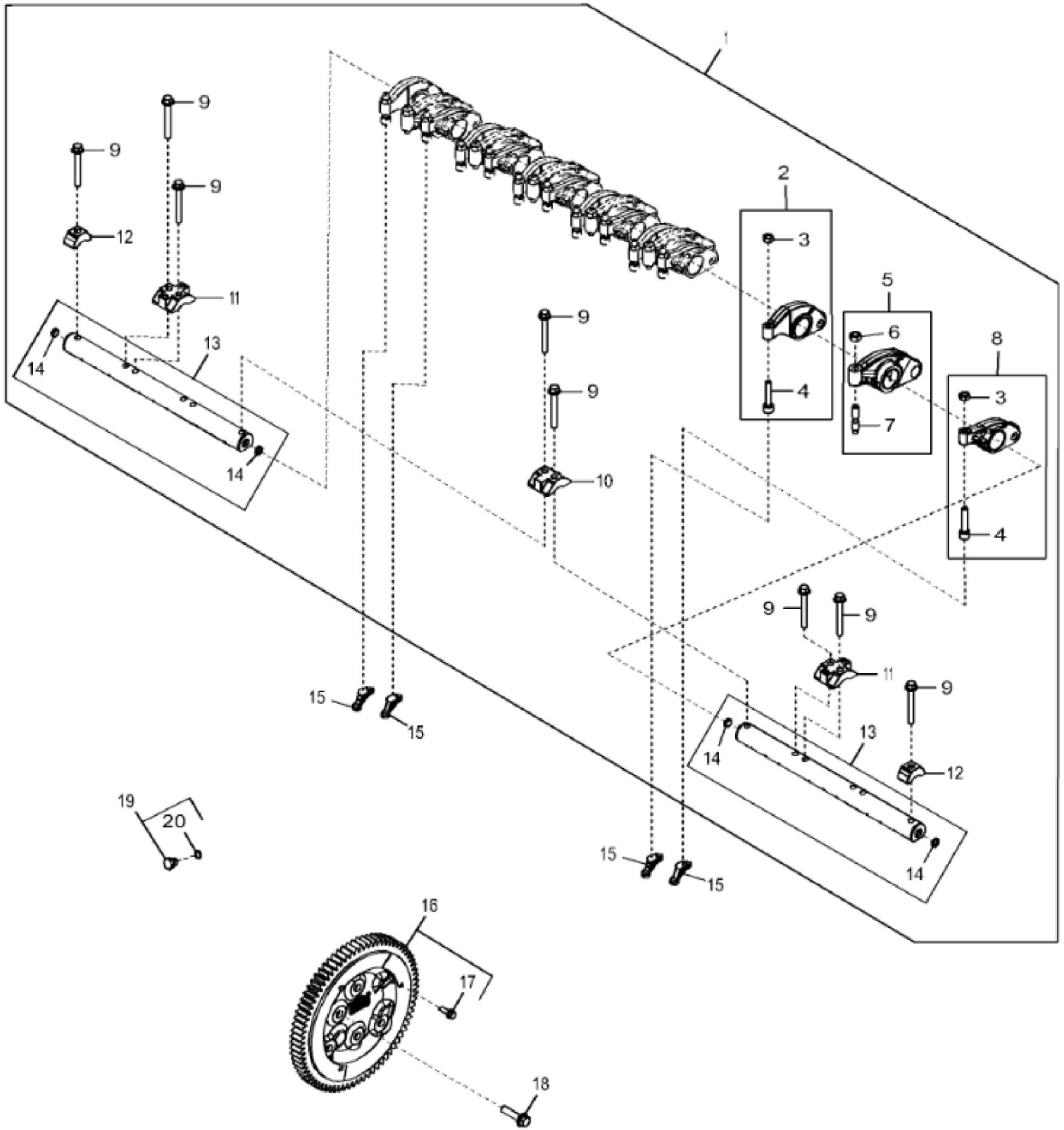
John Deere > Construction And Forestry >DOZER, CRAWLER >6135HT003 - DOZER, CRAWLER >1050K Crawler Dozer (PIN: 1T01050K_ F268234-) >04B ENGINE 6135HT003-RE548819 >0400B ENGINE 6135HT003-RE548819 6135HT003 >ST163443 - 4703 CRANKSHAFT AND BEARINGS

KEY	PART NO.	PART NAME	QTY	REMARKS	
1	RE530786	BEARING KIT	1	KIT; R517069 AND R517070; SUB FOR RE63905	
2	RE530885	WASHER KIT	1		
3	RE530785	BEARING KIT	6	KIT; R517065 AND R517068; SUB FOR RE63903	
4	RE539339	CRANKSHAFT	1	MARKED R519559	
4	SE502681	CRANKSHAFT REMAN	1	(With Bearings) REMAN FOR RE539339	
5	34M7129	SPRING PIN	1	3 X 16 mm	
6	R528501	WHEEL	1		
7	R529684	GEAR	1	Z = 33	
8	26M4224	SHAFT KEY	1	4 X 16 mm, SUB FOR R73866	



John Deere > Construction And Forestry >DOZER, CRAWLER >6135HT003 - DOZER, CRAWLER >1050K Crawler Dozer (PIN: 1T01050K_ F268234-) >04B ENGINE 6135HT003-RE548819 >0400B ENGINE 6135HT003-RE548819 6135HT003 >ST777847 - 4809 CONNECTING RODS AND PISTONS

KEY	PART NO.	PART NAME	QTY	REMARKS
1	RE570135	PISTON-LINER KIT	1	
2	PISTON	6	MARKED RE561885; ORDER RE570135
3	DZ101960	PISTON PIN	6	SUB FOR R517149
4	40M7201	SNAP RING	12	
5	RE548110	PISTON RING KIT	1	
6	RE549596	CONNECTING ROD	6	
6	RM100065	CONNECTING ROD REMAN	1	REMAN FOR RE549596
7	R501380	CAP SCREW	2	
8	RE562584	BEARING KIT	6	KIT; R517067 AND R534189
8	RE531768	BEARING KIT	6	0.25 mm; US, INCLUDES R524610 AND R524613
8	RE531769	BEARING KIT	6	0.50 mm; US, INCLUDES R524611 AND R524614
9	RE529378	NOZZLE	6	
10	RE530324	SELF-LOCKING SCREW	6	



Thank you so much for reading.
Please click the “Buy Now!”
button below to download the
complete manual.



After you pay.

You can download the most
perfect and complete manual in
the world immediately.

Our support email:

ebooklibonline@outlook.com