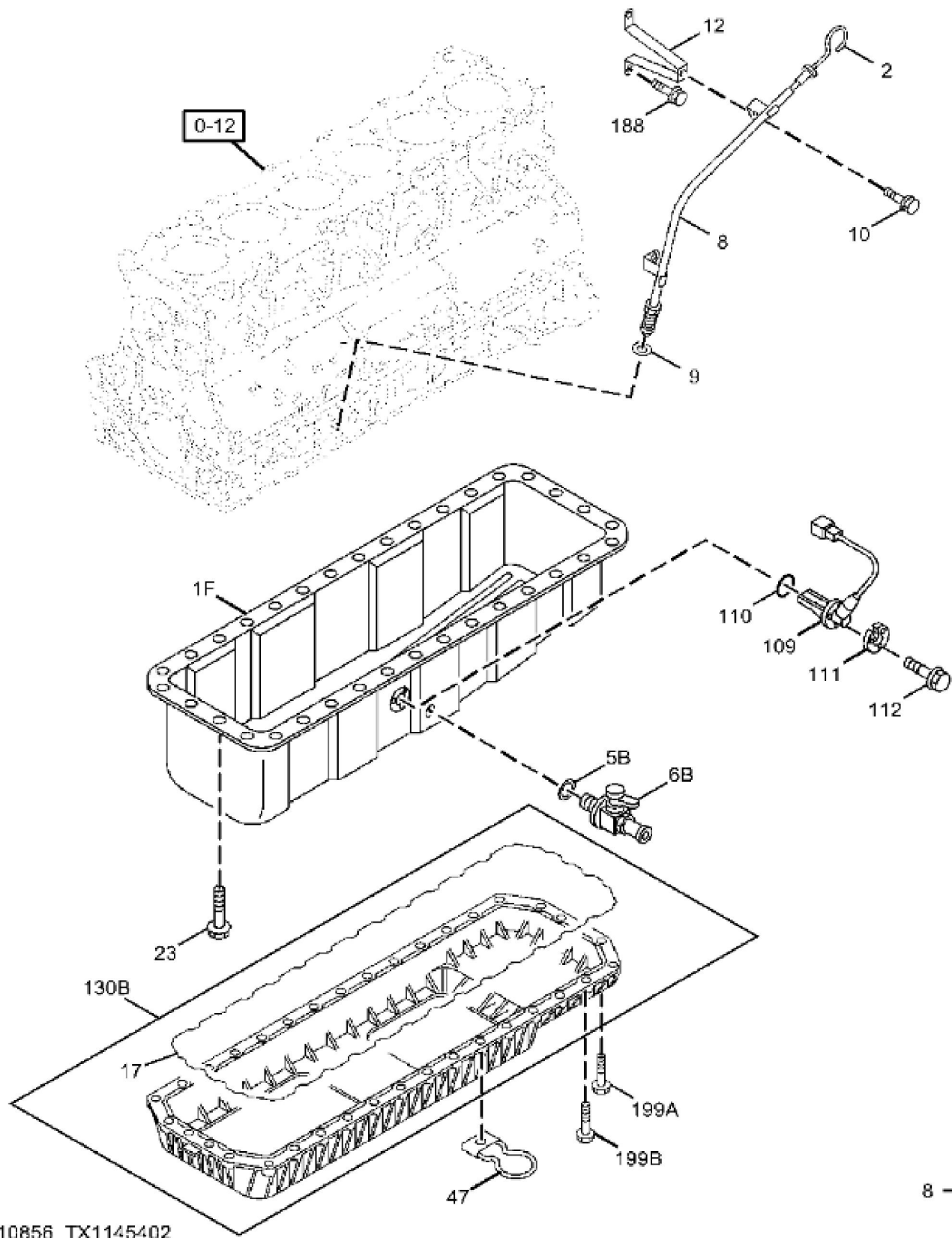


012A0110856_TX1145202

John Deere > Construction And Forestry > EXCAVATOR > 470GLC - EXCAVATOR > 470GLC Excavator (PIN: 1FF470GX_C047001-) > 04 ENGINE - MISC. ENGINE / COMPLETE ENGINE > 0400 ENGINE > ST768230 - CYLINDER BLOCK

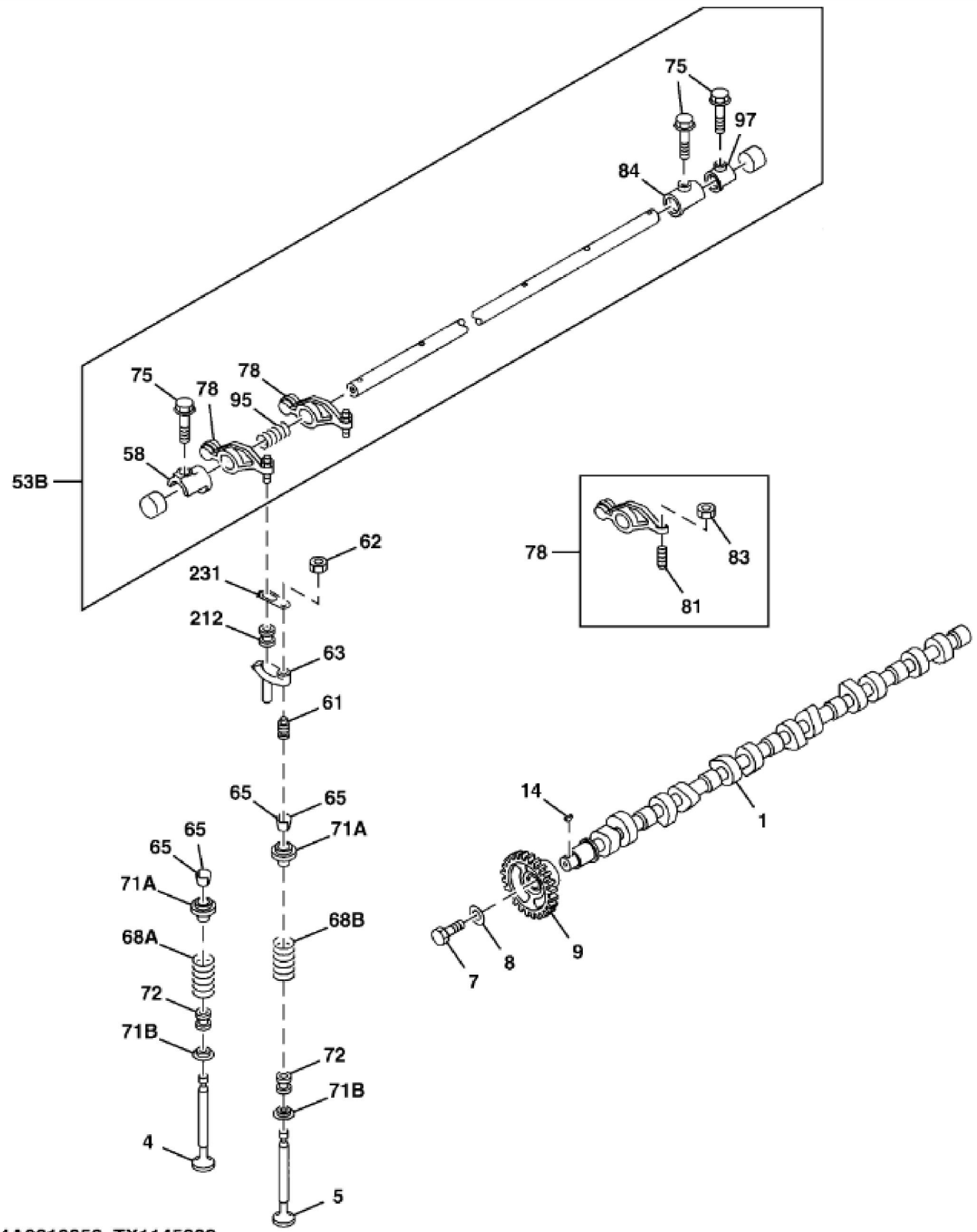
KEY	PART NO.	PART NAME	QTY	REMARKS
1	8981804471	CYLINDER BLOCK	1	SUB FOR 8980036552
2	1878137120	PISTON-LINER KIT	6	SUB FOR 1878127731, GRADE=1X
2	1878127741	PISTON-LINER KIT	6	GRADE=3X
30	9081510180	DOWEL PIN	2	OD=10 L=18
32	8943255061	DOWEL PIN	2	
34	1131600303	PRESSURE RELIEF VALVE	1	
35	1096232970	GASKET	1	ALSO INCLUDED IN GASKET SET (ENGINE)
36A	1096000580	BEARING CUP	4	SUB FOR 1096000052, OD=45
36B	1096000160	PLUG	1	OD=25
36C	8942416370	PLUG	13	OD=40
36D	1096000651	PLUG	2	
38	9081510180	DOWEL PIN	2	036(D)
46	1133490140	BOLT	6	
56	1133421392	ORIFICE	6	SUB FOR 1133421391
70A	1096000122	PLUG	1	OD=32
70B	1096000160	PLUG	4	OD=25
83	9081514280	PIN FASTENER	2	
122	8943998582	ADAPTER FITTING	1	M14,PT1/8
191A	0281560150	BOLT	2	SUB FOR 0281860150, M10X150 FLANGE
211A	1090701510	BOLT	14	
211B	1090700873	BOLT	28	M12X114
212	1097400681	DOWEL PIN	2	
218A	1096300830	GASKET	1	ID=10.2 ALSO INCLUDED IN GASKET SET (ENGINE)
218B	1096300840	GASKET	1	ID=12.2 ALSO INCLUDED IN GASKET SET (ENGINE)
218C	1096300890	GASKET	1	ID=22 ALSO INCLUDED IN GASKET SET (ENGINE)
218D	1096301410	GASKET	2	ID=14.2 OD=19.2 ALSO INCLUDED IN GASKET SET (ENGINE)
230A	1097490251	DOWEL PIN	2	L=25
230B	9081605100	PIN FASTENER	2	OD=5 L=10
256	1096301410	GASKET	1	ID=14.2 OD=25 ALSO INCLUDED IN GASKET SET (ENGINE)
306A	1233355320	BRACKET	1	
335A	1096040350	PLUG	1	M22X12
335B	1096040940	PLUG	1	M10X7
335C	8980470540	PLUG	1	M12X9
335D	8980429440	PLUG	2	M14X9



013A0110856_TX1145402

John Deere > Construction And Forestry > EXCAVATOR > 470GLC - EXCAVATOR > 470GLC Excavator (PIN: 1FF470GX_ _C047001-) > 04 ENGINE - MISC. ENGINE / COMPLETE ENGINE > 0400 ENGINE
 > ST768624 - OIL PAN AND LEVEL GAUGE

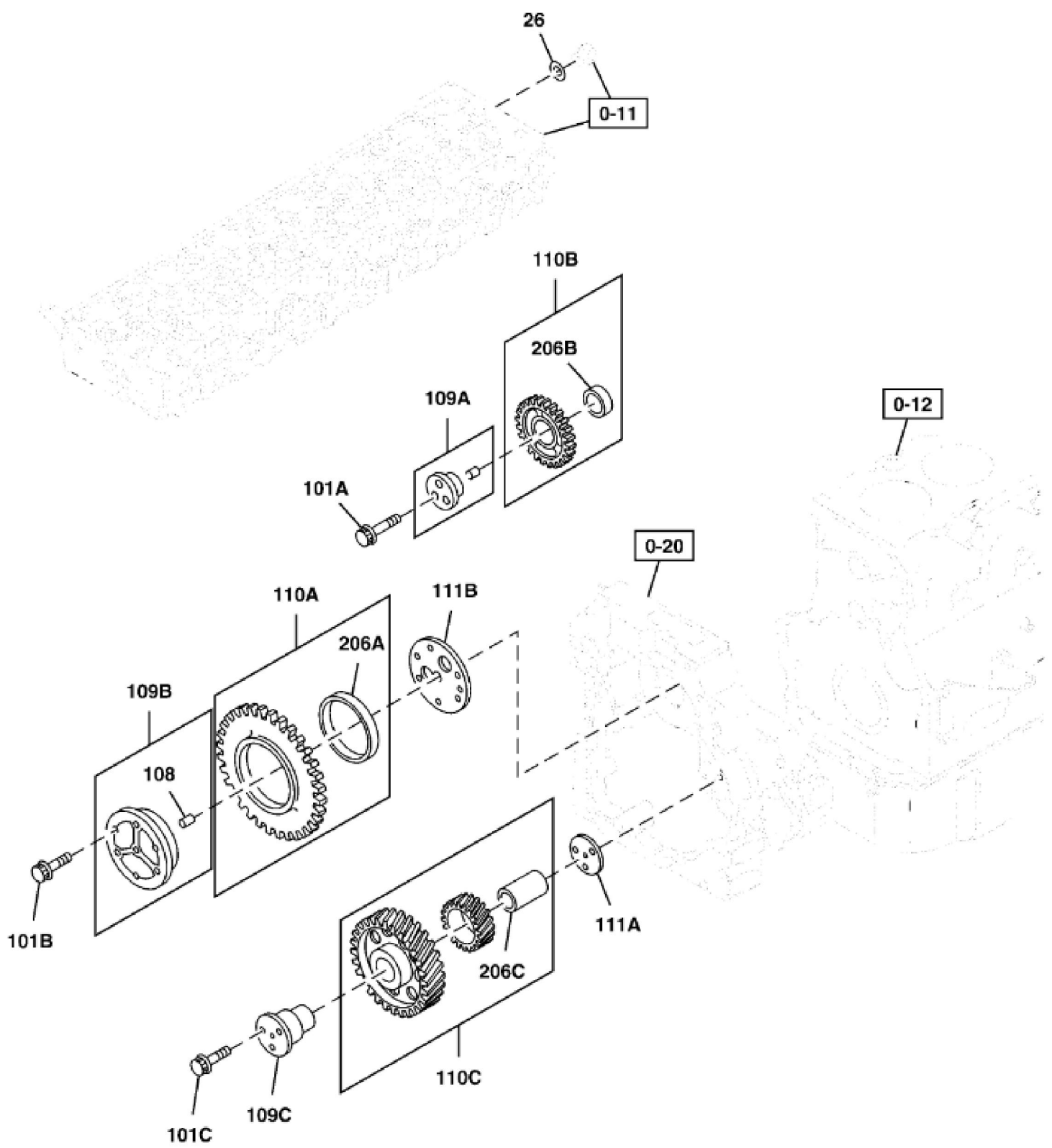
KEY	PART NO.	PART NAME	QTY	REMARKS
1F	1113615930	OIL PAN	1	
2	8980246010	LEVEL GAUGE	1	
5B	9095714240	GASKET	1	ID=24.5 OD=32 ALSO INCLUDED IN GASKET SET (ENGINE)
6B	1096801040	PLUG	1	
8	1117665950	DIPSTICK TUBE	1	
9	1096234960	O-RING	1	
10	0280510200	BOLT	2	M10X20 FLANGE
12	1117665460	BRACKET	1	
17	8980630320	GASKET	1	ALSO INCLUDED IN GASKET SET (ENGINE)
23	0506408250	BOLT	34	M8X25 W/LK
47	1113691460	CLIP	1	SUB FOR 1113691150
109	8971312230	SENSOR	1	Oil Level
110	8976049160	GASKET	1	SUB FOR 1096233550, ID=27 ALSO INCLUDED IN GASKET SET (ENGINE)
111	5113690720	SPACER	1	
112	0506406280	BOLT	3	M6X28
130B	8980900130	SPACER	1	Oil Level
188	0287510250	BOLT	2	M10X25 FLANGE
199A	0281510500	BOLT	4	M10X50 FLANGE
199B	0281510350	BOLT	28	M10X35 FLANGE



014A0210856_TX1145229

John Deere > Construction And Forestry > EXCAVATOR > 470GLC - EXCAVATOR > 470GLC Excavator (PIN: 1FF470GX_ _C047001-) > 04 ENGINE - MISC. ENGINE / COMPLETE ENGINE > 0400 ENGINE
 > ST768380 - CAMSHAFT AND ROCKER ARM SHAFT, VALVE

KEY	PART NO.	PART NAME	QTY	REMARKS
1	1125112552	CAMSHAFT	1	
4	1125511516	VALVE	12	SUB FOR 1125511512, 1125511513, 1125511514 OR 1125511515
5	1125521092	VALVE	12	SUB FOR 1125521091
7	9920614280	BOLT	1	M14X28
8	9098518503	WASHER	1	ID=14.5
9	1125220601	GEAR	1	Z=54
14	9080555160	KEY	1	
53B	8981917452	SHAFT	1	
58	1126280703	BRACKET	1	
61	1126160420	SCREW	12	
62	14M7500	NUT	12	M10, SUB FOR 9098403100, M10
63	1126112773	VALVE BRIDGE	12	
65	1125650070	BUSHING	48	
68A	8976033050	SPRING	12	Inlet, SUB FOR 1125610920
68B	1125610930	SPRING	12	Exhaust
71A	1125630600	PLATE	24	Upper
71B	1125630562	PLATE	24	Lower
72	1125690200	SEAL	24	Also Included in Gasket Set (Engine and Head)
75	1090440871	BOLT	7	M12X97 FLANGE
78	1126100802	ROCKER ARM	12	SUB FOR 1126100801
81	1126160341	SCREW	12	
83	9991105120	NUT	12	SUB FOR 0911105120, M12
84	1126280682	BRACKET	5	M12
95	1095804721	SPRING	6	
97	1126280723	BRACKET	1	
212	1126160400	CAP	12	
231	1126190112	PLATE	12	



014A0310856_TX1145231

Thank you so much for reading.
Please click the “Buy Now!”
button below to download the
complete manual.



After you pay.

You can download the most
perfect and complete manual in
the world immediately.

Our support email:

ebooklibonline@outlook.com