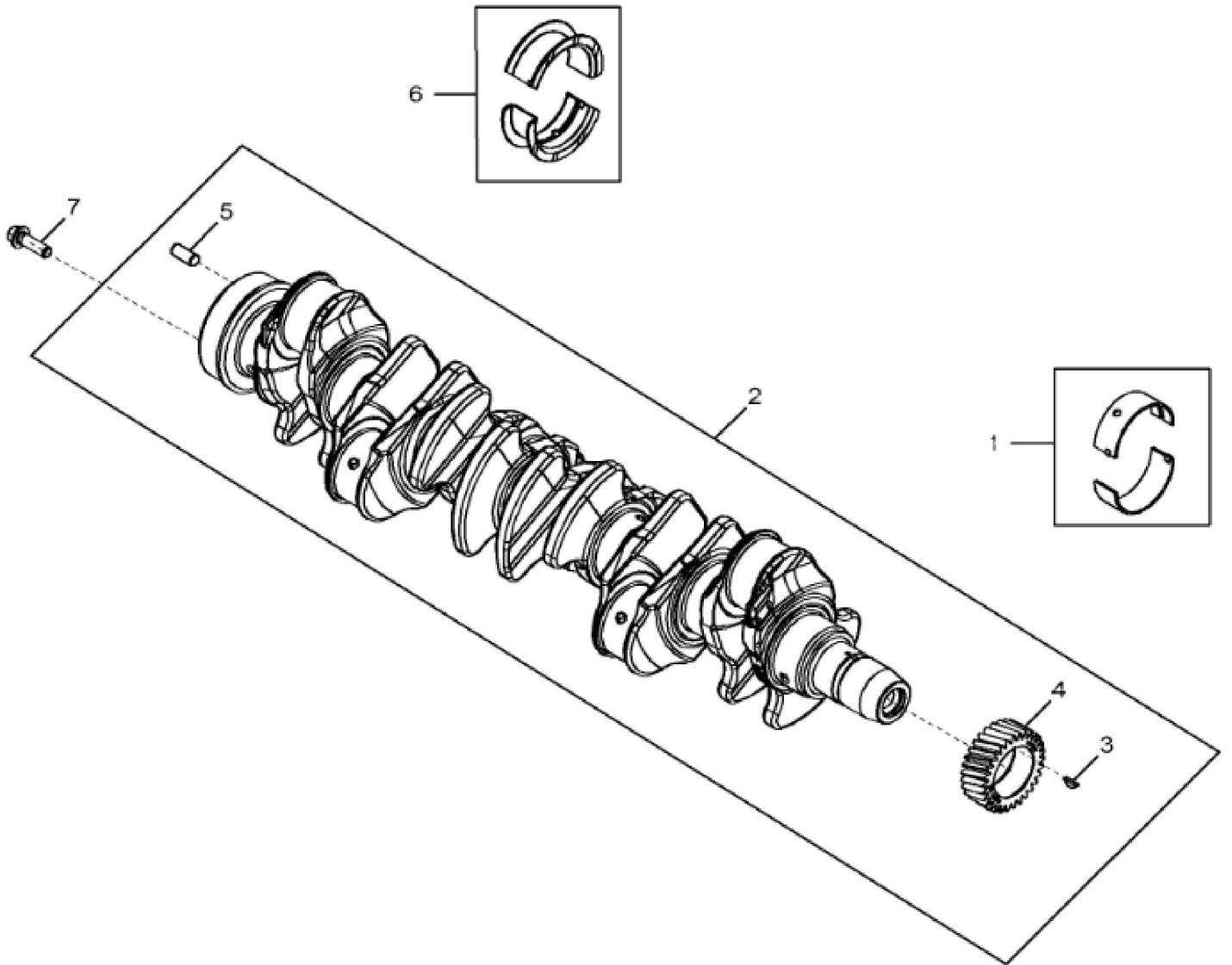
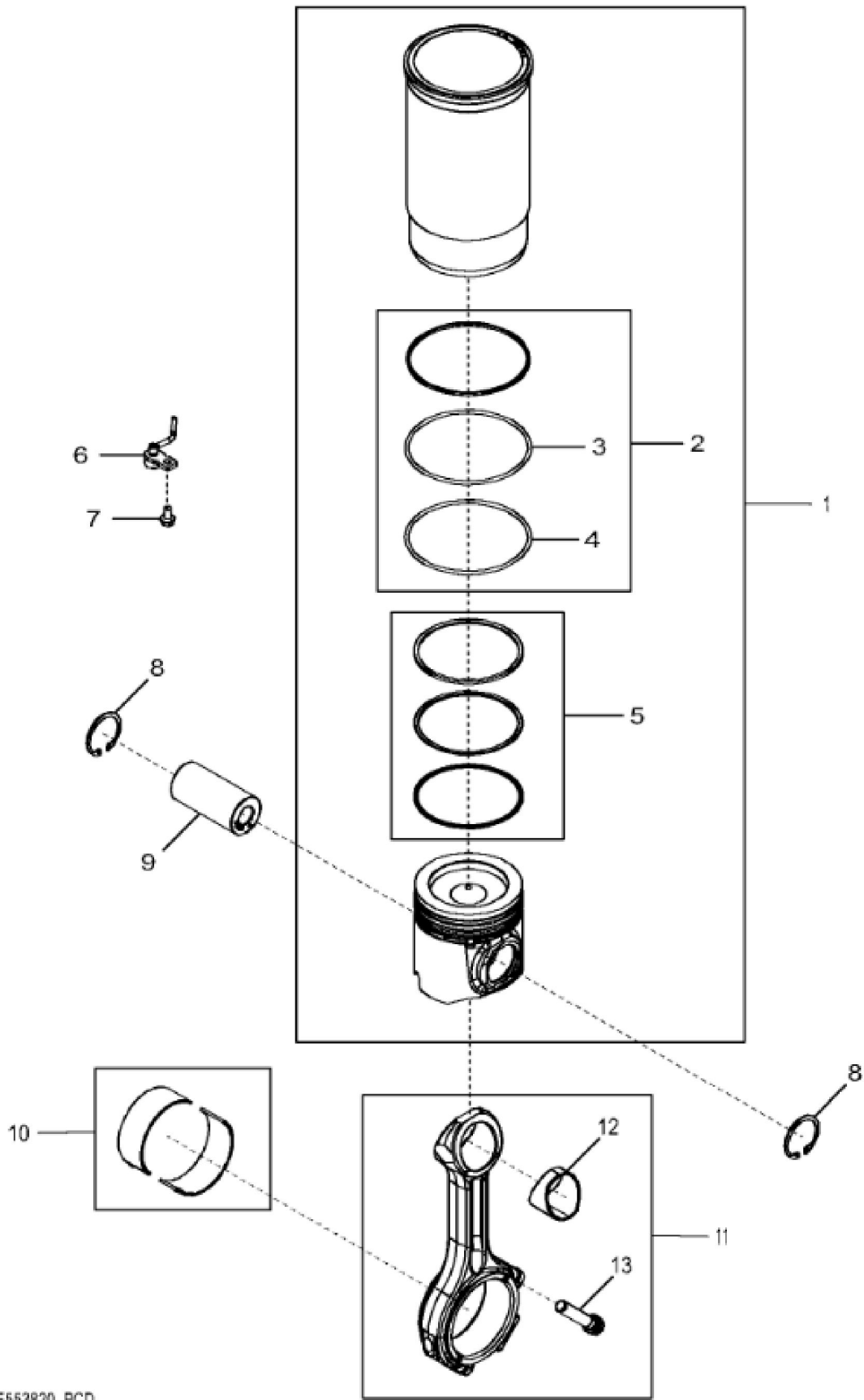


KEY	PART NO.	PART NAME	QTY	REMARKS
1	51M7043	O-RING	3	15.300 X 2.200 mm
2	A120R	DOWEL PIN	4	
3	RE539116	FITTING	4	
4	51M7047	O-RING	4	23.600 X 2.900 mm
5	RE539114	FITTING	5	
6	51M7041	O-RING	5	11.300 X 2.200 mm
7	RE508185	FITTING	1	
8	R116466	PLUG	1	
9	B153R	DOWEL PIN	2	
10	R119874	BUSHING	1	
11	R111137	SPRING	1	
12	U13639	O-RING	1	
13	T18891	PLUG	2	
14	30M7024	PLUG	1	
15	R26493	BUSHING	1	(Refer key 23 For More Information) ORDER DZ109926
16	R121043	VALVE	1	(By Pass)
17	R525706	CAP SCREW	14	
18	.....	CYLINDER BLOCK	1	(Order Short Block Assembly) MARKED R534123; INCLUDES (14) R525706
19	15H695	PIPE PLUG	1	3/8"
20	RE539115	FITTING	3	
21	15H685	PIPE PLUG	1	1/4"
22	D2361R	BALL	1	
23	DZ109926	BUSHING	1	USE WITH DZ109927 PRV, DZ106855 SPRING AND DZ109925 FITTING PLUG; ALSO ORDER A4827R SEALING WASHER



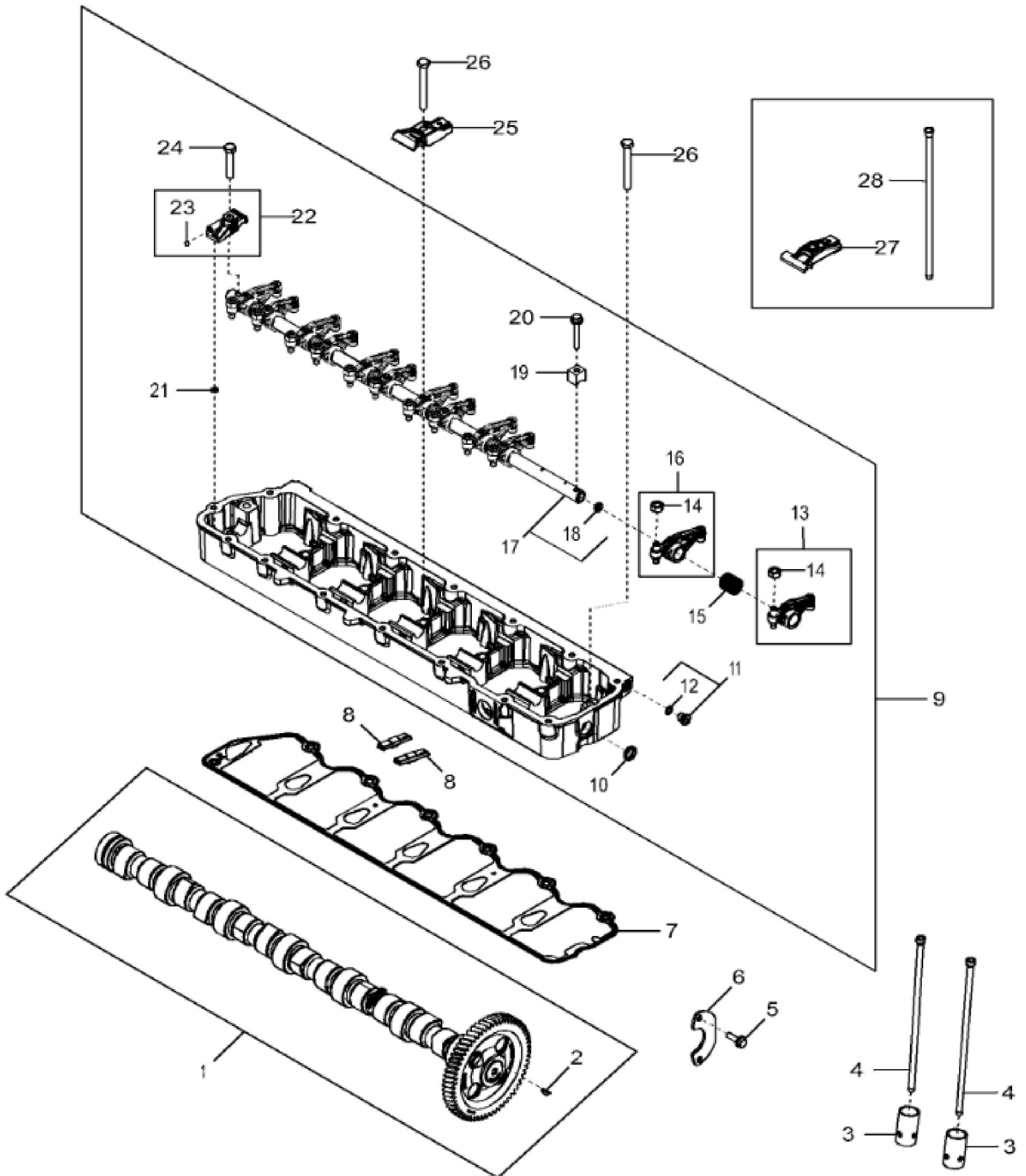
John Deere > Construction And Forestry >DOZER, CRAWLER >750K - DOZER, CRAWLER >750K Crawler Dozer (PIN: 1T0750KX\_\_F271593- )Engine 6068HT099 >04B ENGINE 6068HT099-RE553326  
>0400B ENGINE 6068HT099-RE553326 6068HT099 >ST795109 - 4732 CRANKSHAFT AND BEARINGS

KEY	PART NO.	PART NAME	QTY	REMARKS	
1	RE65165	BEARING KIT	6	(Main) KIT; R123561 AND R123562	
2	RE568158	CRANKSHAFT	1	MARKED R503470	
3	R505609	SHAFT KEY	1		
4	R544000	GEAR	1	Z = 30, MARKED R545199	
5	A120R	DOWEL PIN	1		
6	RE65168	BEARING KIT	1	(Thrust) KIT; R123563 AND R123564	
7	R135918	BOLT	6		



John Deere > Construction And Forestry >DOZER, CRAWLER >750K - DOZER, CRAWLER >750K Crawler Dozer (PIN: 1T0750KX\_ F271593- )Engine 6068HT099 >04B ENGINE 6068HT099-RE553326  
 >0400B ENGINE 6068HT099-RE553326 6068HT099 >ST765388 - 4865 CONNECTING RODS AND PISTONS

KEY	PART NO.	PART NAME	QTY	REMARKS
1	RE561621	PISTON-LINER KIT	6	PISTON MARKED RE553821
2	RE539558	SEAL KIT	6	
3	R26121	O-RING	6	
4	R55453	O-RING	6	
5	RE539423	PISTON RING KIT	6	
6	RE556557	NOZZLE	6	
7	R529612	CAP SCREW	6	
8	R54114	SNAP RING	12	
9	R528652	PISTON PIN	6	
10	RE539421	BEARING KIT	6	KIT; (2) R525684
11	RE500608	CONNECTING ROD	6	
11	SE501094	CONNECTING ROD REMAN	AR	REMAN FOR RE500608
12	R114082	BUSHING	6	
13	R501124	SCREW	12	



Thank you so much for reading.  
Please click the “Buy Now!”  
button below to download the  
complete manual.



After you pay.

You can download the most  
perfect and complete manual in  
the world immediately.

Our support email:

[ebooklibonline@outlook.com](mailto:ebooklibonline@outlook.com)