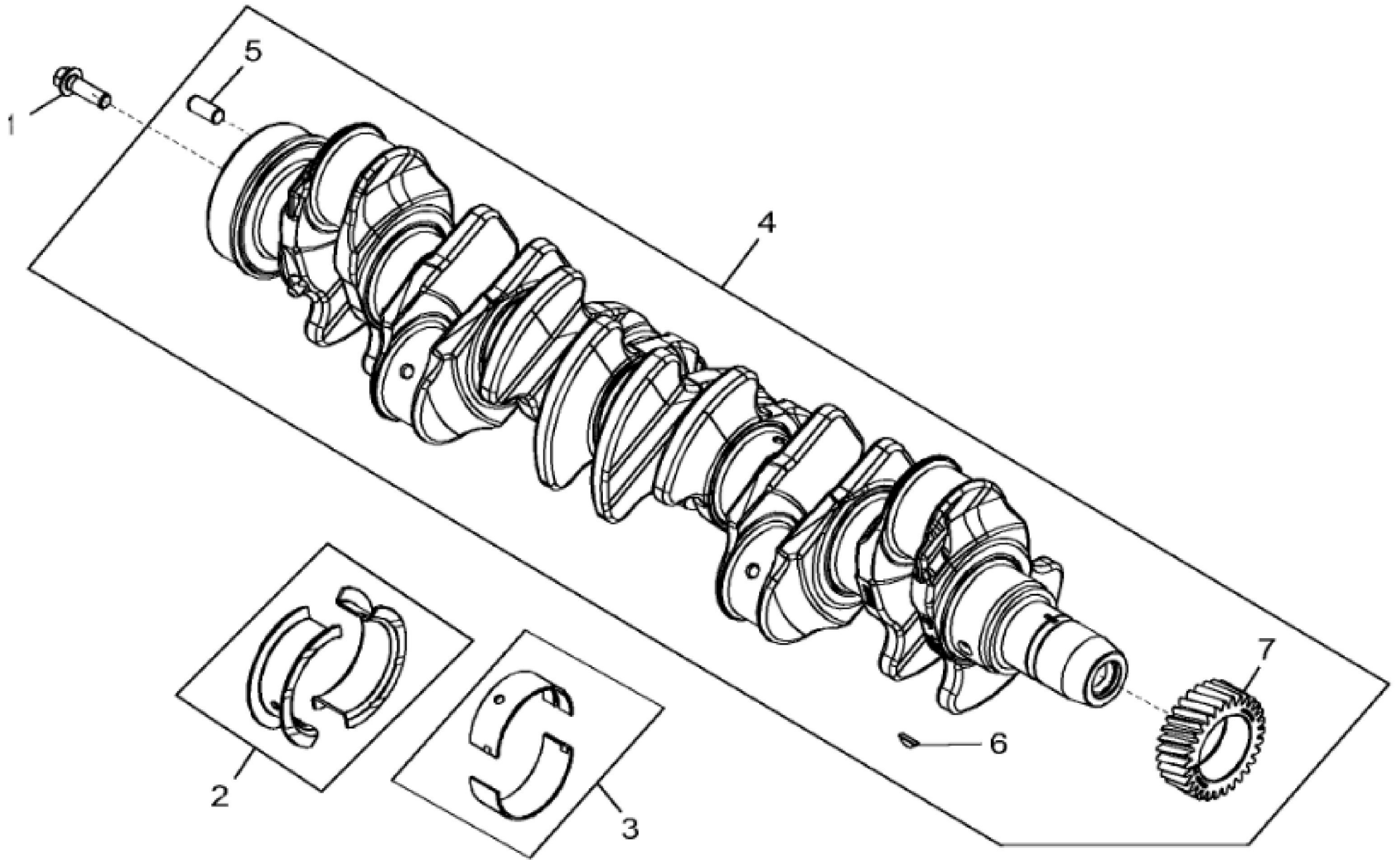
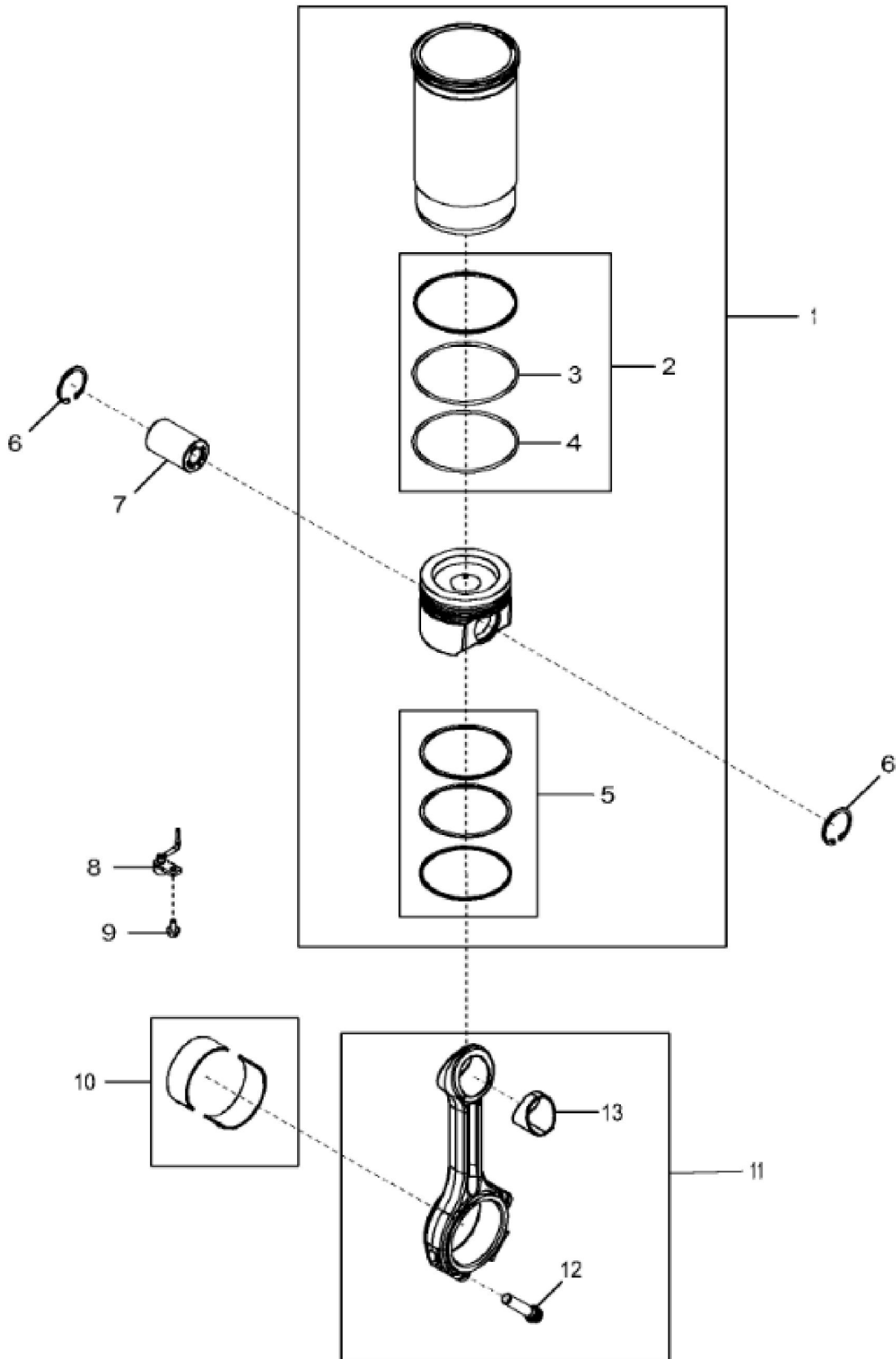


KEY	PART NO.	PART NAME	QTY	REMARKS
1	CYLINDER BLOCK	1	(Order Short Block Assembly) MARKED R534123
2	RE539116	FITTING	4	
3	51M7047	O-RING	1	23.600 X 2.900 mm
4	RE508185	FITTING	1	
5	U13639	O-RING	1	
6	RE539114	FITTING	5	
7	51M7041	O-RING	1	11.300 X 2.200 mm
8	RE539115	FITTING	3	
9	51M7043	O-RING	1	15.300 X 2.200 mm
10	15H695	PIPE PLUG	1	3/8"
11	R525706	CAP SCREW	14	
12	B153R	DOWEL PIN	2	
13	R121043	VALVE	1	(By Pass)
14	R111137	SPRING	1	
15	R26493	BUSHING	1	(Refer key 23 For More Information) ORDER DZ109926
16	D2361R	BALL	1	
17	R116466	PLUG	1	
18	T18891	PLUG	2	
19	R119874	BUSHING	1	
20	A120R	DOWEL PIN	4	
21	30M7024	PLUG	1	
22	15H685	PIPE PLUG	1	1/4"
23	DZ109926	BUSHING	1	USE WITH DZ109927 PRV, DZ106855 SPRING AND DZ109925 FITTING PLUG; ALSO ORDER A4827R SEALING WASHER



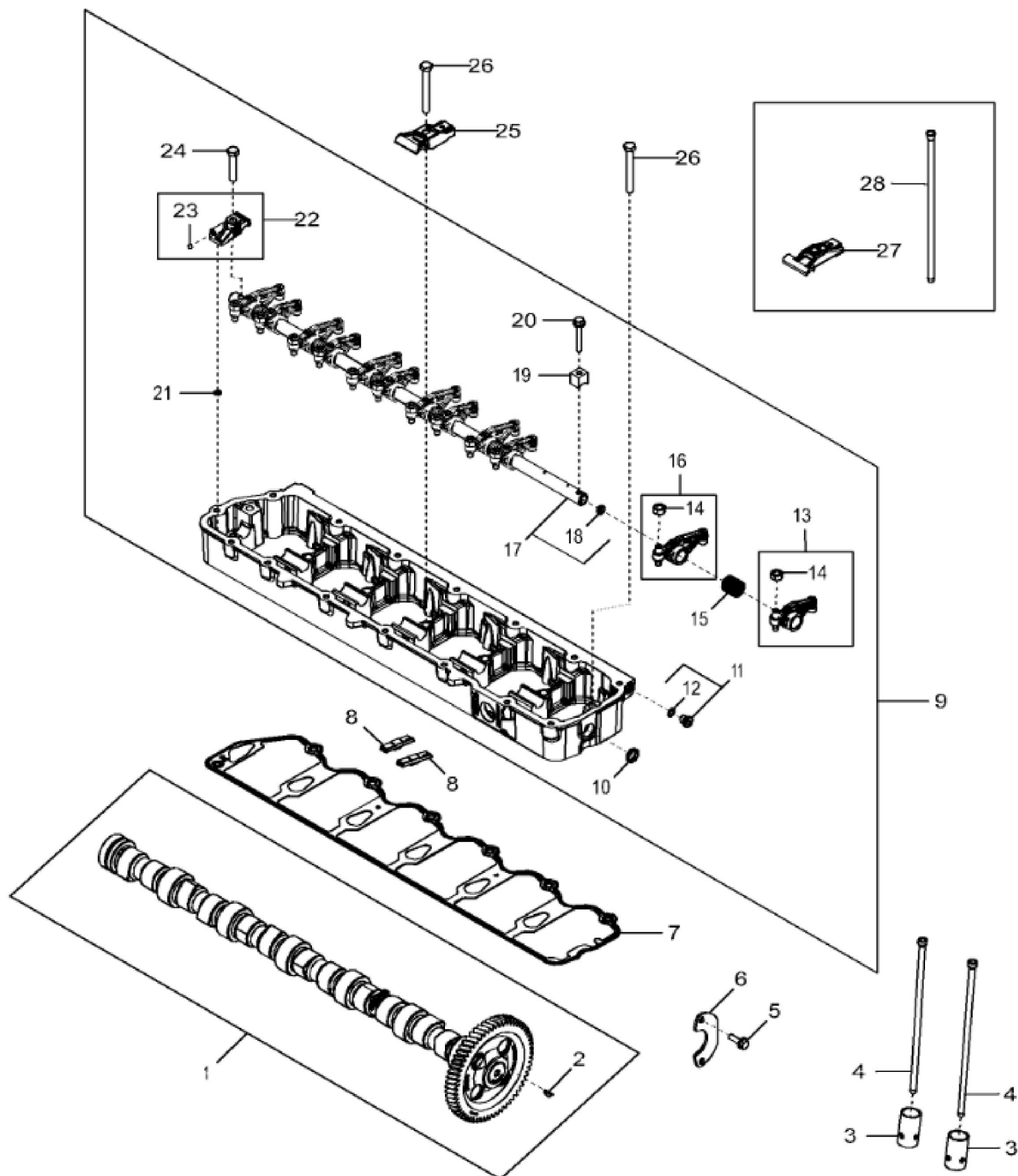
John Deere > Construction And Forestry > EXCAVATOR > 300GLC - EXCAVATOR > 300GLC Excavator (PIN: 1FF300GX_ F710002-) > 04A ENGINE 6068HT107-RE557939 > 0400A ENGINE 6068HT107-RE557939 6068HT107 > ST752405 - 4727 CRANKSHAFT AND BEARINGS

KEY	PART NO.	PART NAME	QTY	REMARKS	
1	R135918	BOLT	6		
2	RE65168	BEARING KIT	1	KIT; R123564 AND R123563	
3	RE65165	BEARING KIT	6	KIT; R123562 AND R123561	
4	RE564763	CRANKSHAFT	1		
5	A120R	DOWEL PIN	1		
6	R505609	SHAFT KEY	1		
7	R544000	GEAR	1	Z = 30, MARKED R545199, SUB FOR R120631	



John Deere > Construction And Forestry > EXCAVATOR > 300GLC - EXCAVATOR > 300GLC Excavator (PIN: 1FF300GX_ F710002-) > 04A ENGINE 6068HT107-RE557939 > 0400A ENGINE 6068HT107-RE557939 6068HT107 > ST753735 - 4862 CONNECTING RODS AND PISTONS

KEY	PART NO.	PART NAME	QTY	REMARKS
1	RE561620	PISTON-LINER KIT	6	PISTON MARKED DZ104640
2	RE539558	SEAL KIT	6	
3	R26121	O-RING	6	
4	R55453	O-RING	6	
5	RE561623	PISTON RING KIT	6	
6	R54114	SNAP RING	12	
7	DZ101958	PISTON PIN	6	SUB FOR R533940
8	DZ102270	NOZZLE	6	SUB FOR RE564575
9	R529612	CAP SCREW	6	
10	RE539421	BEARING KIT	6	KIT; (2) R525684
11	DZ10167	CONNECTING ROD	6	MARKED R536740; SUB FOR RE549633
12	R501124	SCREW	12	
13	R114082	BUSHING	6	



Thank you so much for reading.
Please click the “Buy Now!”
button below to download the
complete manual.



After you pay.

You can download the most
perfect and complete manual in
the world immediately.

Our support email:

ebooklibonline@outlook.com