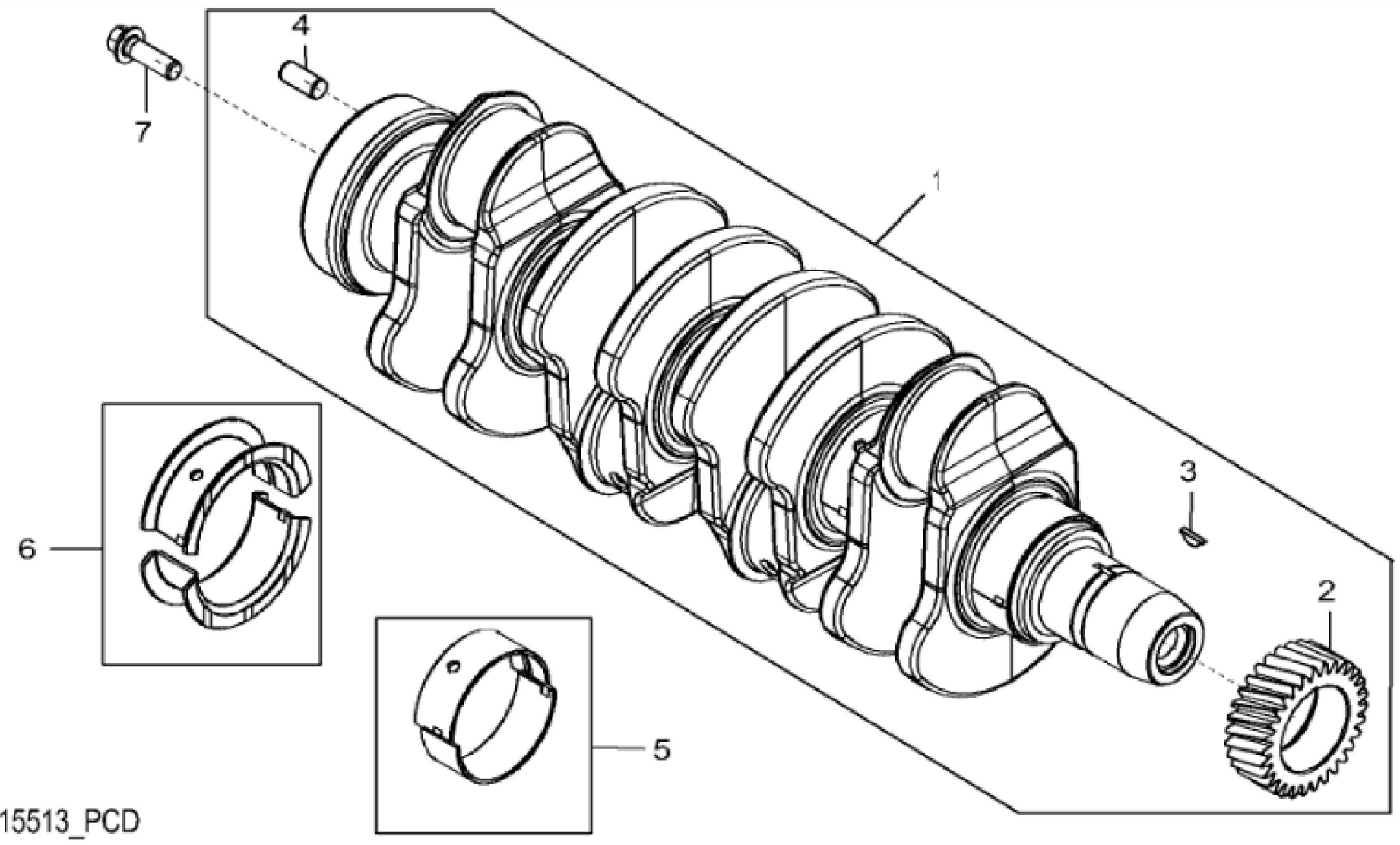


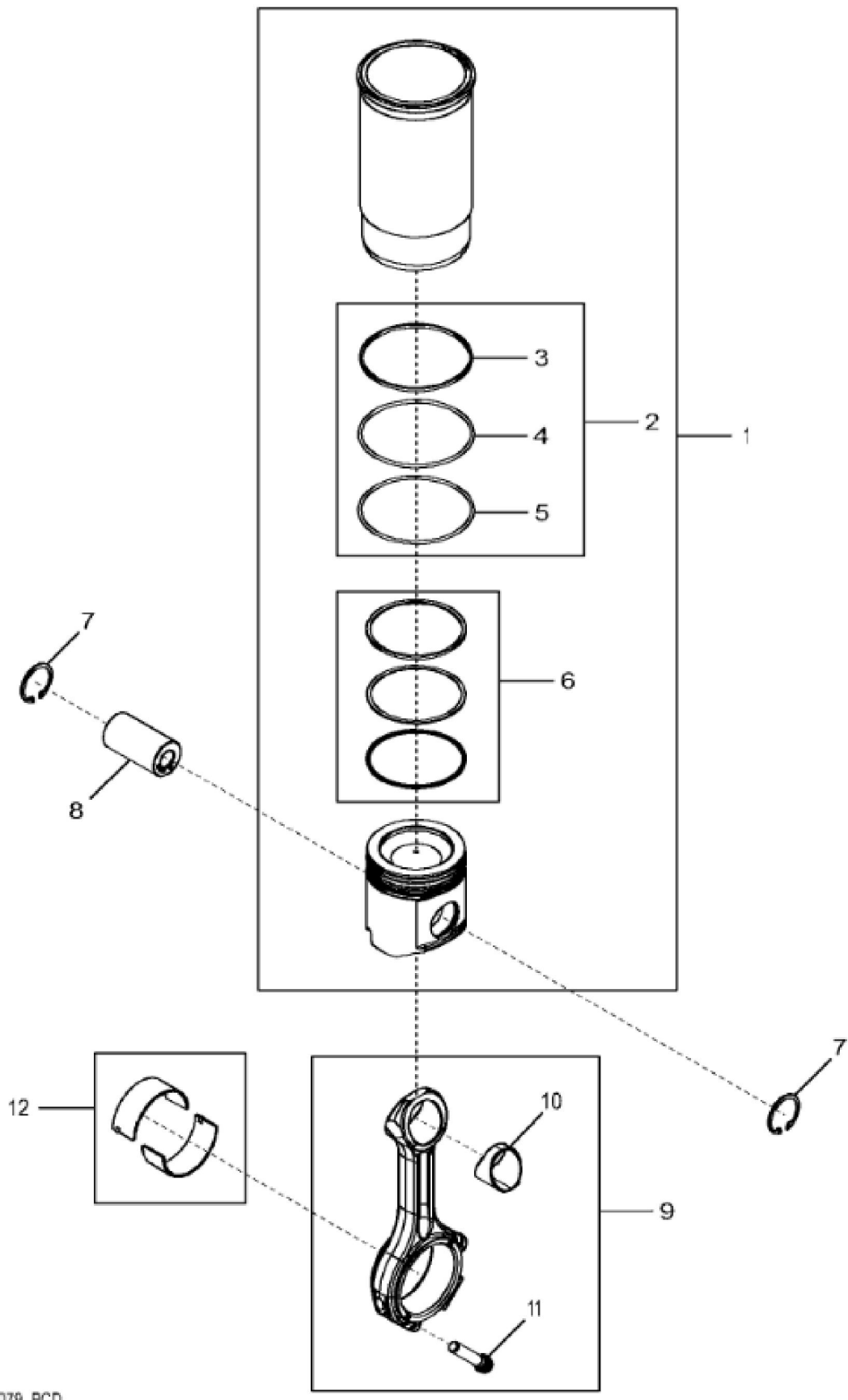
KEY	PART NO.	PART NAME	QTY	REMARKS
1	CYLINDER BLOCK	1	MARKED R534172; ORDER RE545935
2	RE505232	FITTING	1	
3	51M7045	O-RING	1	19.300 X 2.200 mm
4	A120R	DOWEL PIN	4	
5	RE71255	PIPE PLUG	5	
6	R116466	PLUG	1	
7	R119874	BUSHING	1	
8	B153R	DOWEL PIN	2	
9	RE505501	BLEED VALVE	1	
10	R131425	COMPRESSION SPRING	1	
11	R121043	VALVE	1	(By Pass)
12	R111137	SPRING	1	
13	R115299	BUSHING	6	
14	R535005	CAP SCREW	10	
15	R536082	BEARING CAP	4	MARKED R536083; SUB FOR APPL R114241
16	R535004	BEARING CAP	1	MARKED R536083; SUB FOR APPL R114240
17	15H695	PIPE PLUG	1	3/8"
18	RE539115	FITTING	2	
19	51M7043	O-RING	1	15.300 X 2.200 mm
20	RE539114	FITTING	3	
21	51M7041	O-RING	1	11.300 X 2.200 mm
22	RE508185	FITTING	2	
23	U13639	O-RING	1	
24	T18891	PLUG	2	
25	R97185	O-RING	1	
26	R131182	ORIFICE	4	
27	RE63674	VALVE	1	



4715_RE515513_PCD

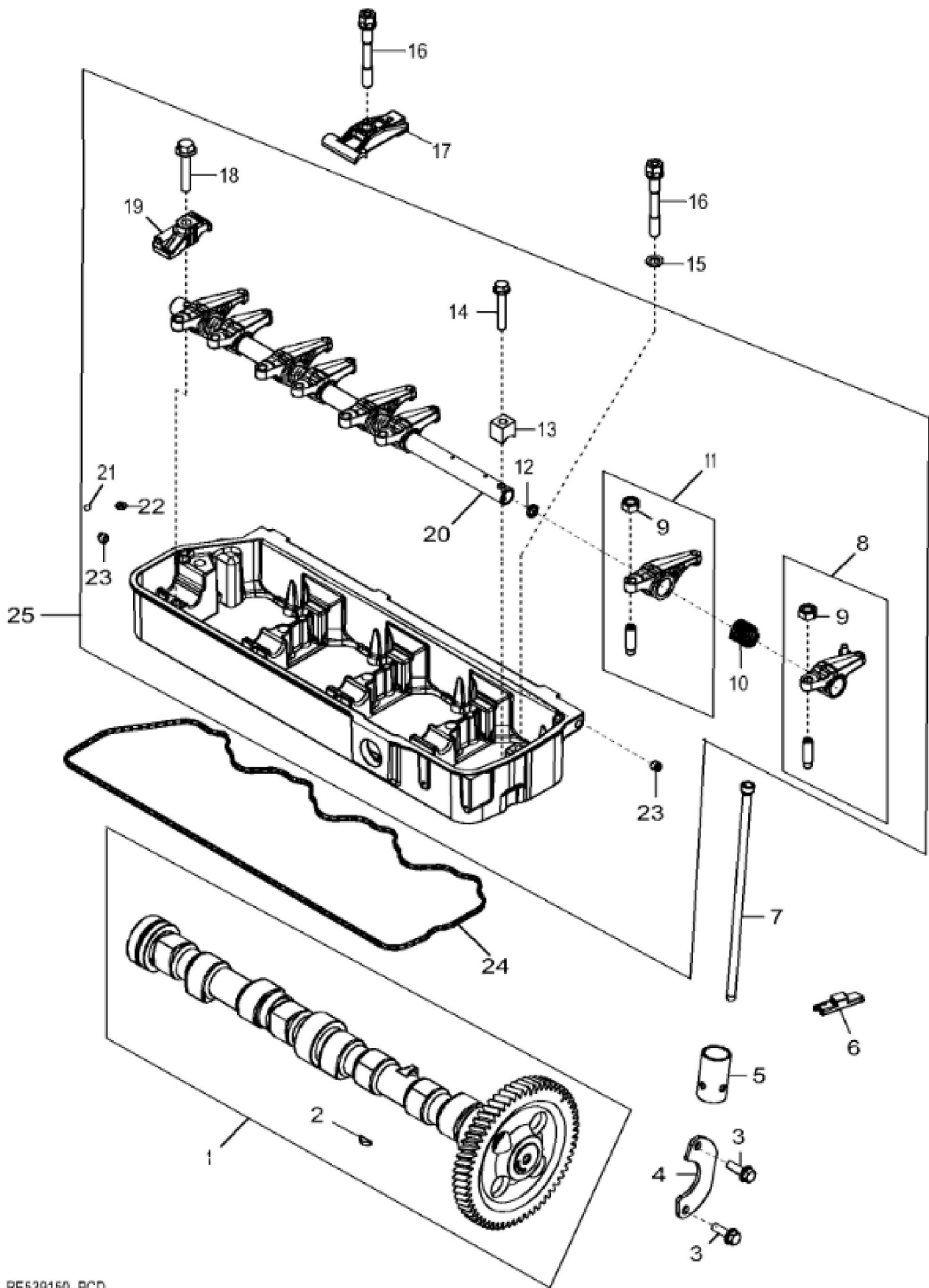
John Deere > Construction And Forestry >DOZER, CRAWLER >550K - DOZER, CRAWLER >550K Crawler Dozer (PIN: 1T0550KX__F275977 - 303822) Engine 4045HT079 >04B ENGINE 4045HT079-RE559143 >0400B ENGINE 4045HT079-RE559143 4045HT079 >ST275044 - 4715 CRANKSHAFT AND BEARINGS

KEY	PART NO.	PART NAME	QTY	REMARKS
1	RE506195	CRANKSHAFT	1	(Grinding Guidelines : See CTM104) (Iron) ALSO ORDER RE538097 AND RE44574
1	SE501656	CRANKSHAFT REMAN	1	(With Bearings) REMAN FOR RE506195
2	R120631	GEAR	1	Z = 30
3	R505609	SHAFT KEY	1	
4	A120R	DOWEL PIN	1	
5	RE65165	BEARING KIT	4	STD KIT, MARKED R123561 AND R123562
5	RE65911	BEARING	1	US -0.254 MM , MARKED R130576 AND R130577
6	RE65168	BEARING KIT	1	STD KIT, MARKED R123563 AND R123564
6	RE65912	THRUST BEARING	1	US -0.254MM , MARKED R130576 AND R130577
7	R135918	BOLT	4	



John Deere > Construction And Forestry >DOZER, CRAWLER >550K - DOZER, CRAWLER >550K Crawler Dozer (PIN: 1T0550KX__F275977 - 303822) Engine 4045HT079 >04B ENGINE 4045HT079-RE559143 >0400B ENGINE 4045HT079-RE559143 4045HT079 >ST813409 - 4872 CONNECTING RODS AND PISTONS

KEY	PART NO.	PART NAME	QTY	REMARKS
1	RE565583	PISTON-LINER KIT	4	PISTON MARKED RE556803
2	AR65507	O-RING KIT	4	
3	R48767	PACKING	4	
4	R26121	O-RING	4	
5	R55453	O-RING	4	
6	DZ104221	PISTON RING KIT	4	
7	R54114	SNAP RING	8	
8	R502755	PISTON PIN	4	
9	RE500608	CONNECTING ROD	4	
9	SE501094	CONNECTING ROD REMAN	AR	REMAN FOR RE500608
10	R114082	BUSHING	4	
11	R501124	SCREW	8	
12	RE65908	BEARING KIT	4	KIT; (2) R113698



Thank you so much for reading.
Please click the “Buy Now!”
button below to download the
complete manual.



After you pay.

You can download the most
perfect and complete manual in
the world immediately.

Our support email:

ebooklibonline@outlook.com