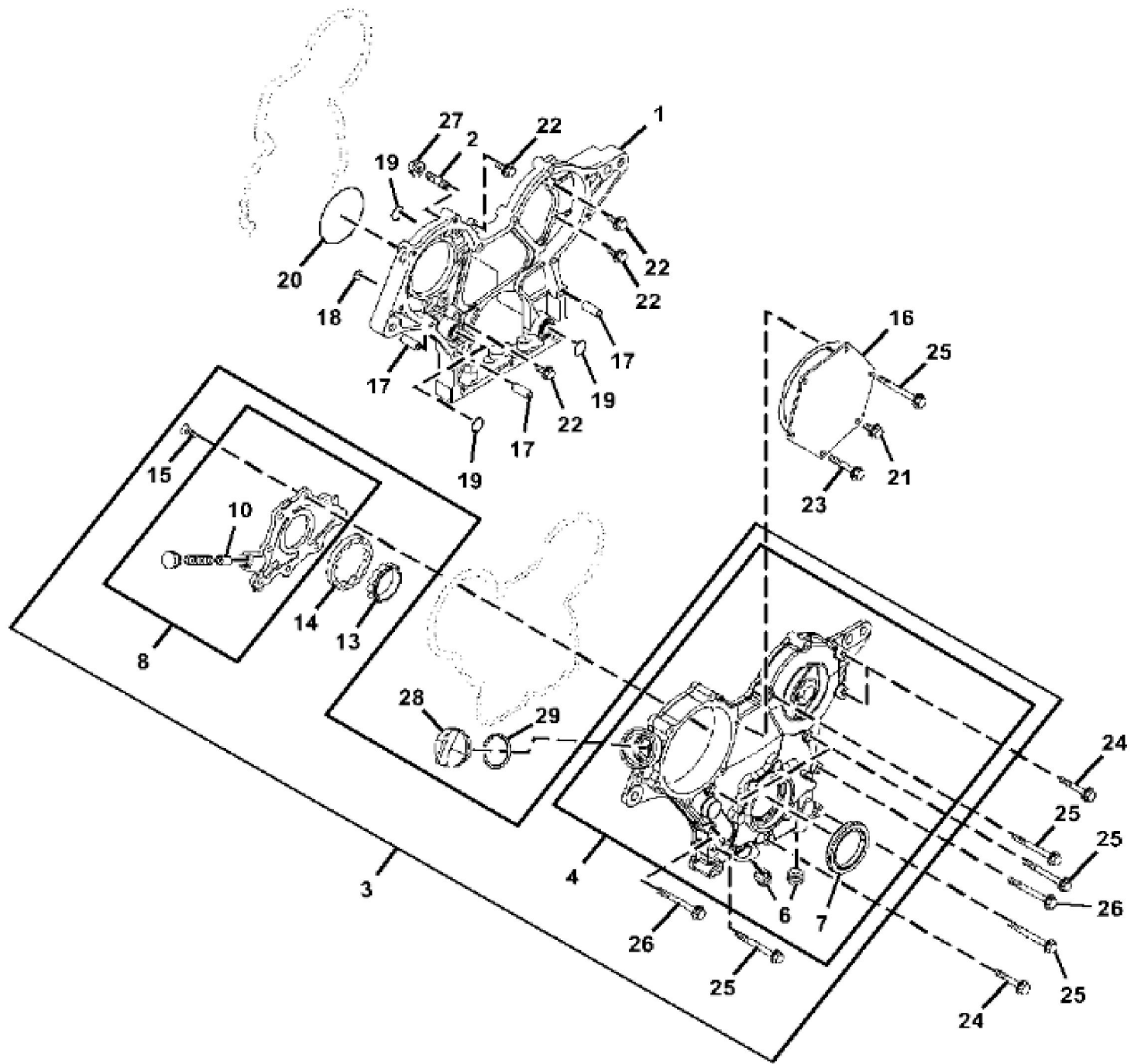
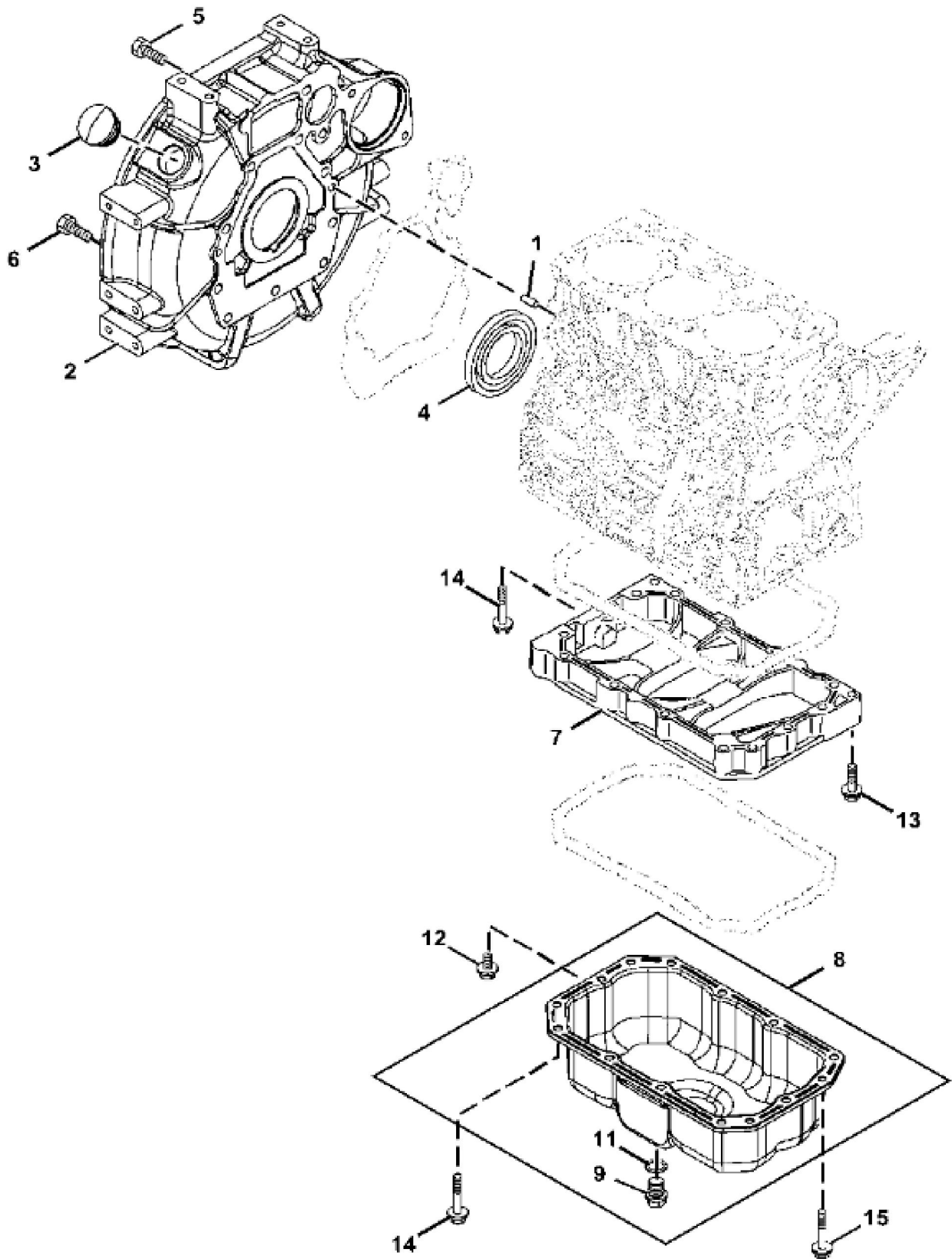


KEY	PART NO.	PART NAME	QTY	REMARKS	
1	.....	CYLINDER BLOCK	1	NLA	
4	M811805	PLUG	4		
5	M809593	PLUG	1		
6	M811807	PLUG	3		
7	M87879	BOLT	8		
10	MIU800572	CAMSHAFT	1		
11	CH10314	PLUG	1		
12	CH10335	PLUG	1		
13	M87801	PLUG	1		
23	AM882419	THRUST BEARING	2		
26	M800970	BOLT	14		
27	MIA882331	GASKET KIT	1		
28	MIA880551	BEARING	4	Spare	
31	.....	BEARING	4	Undersized, - 0.25, FGY0002411 NLA	
34	MIA880557	BEARING	2	Oversized, + 0.25	



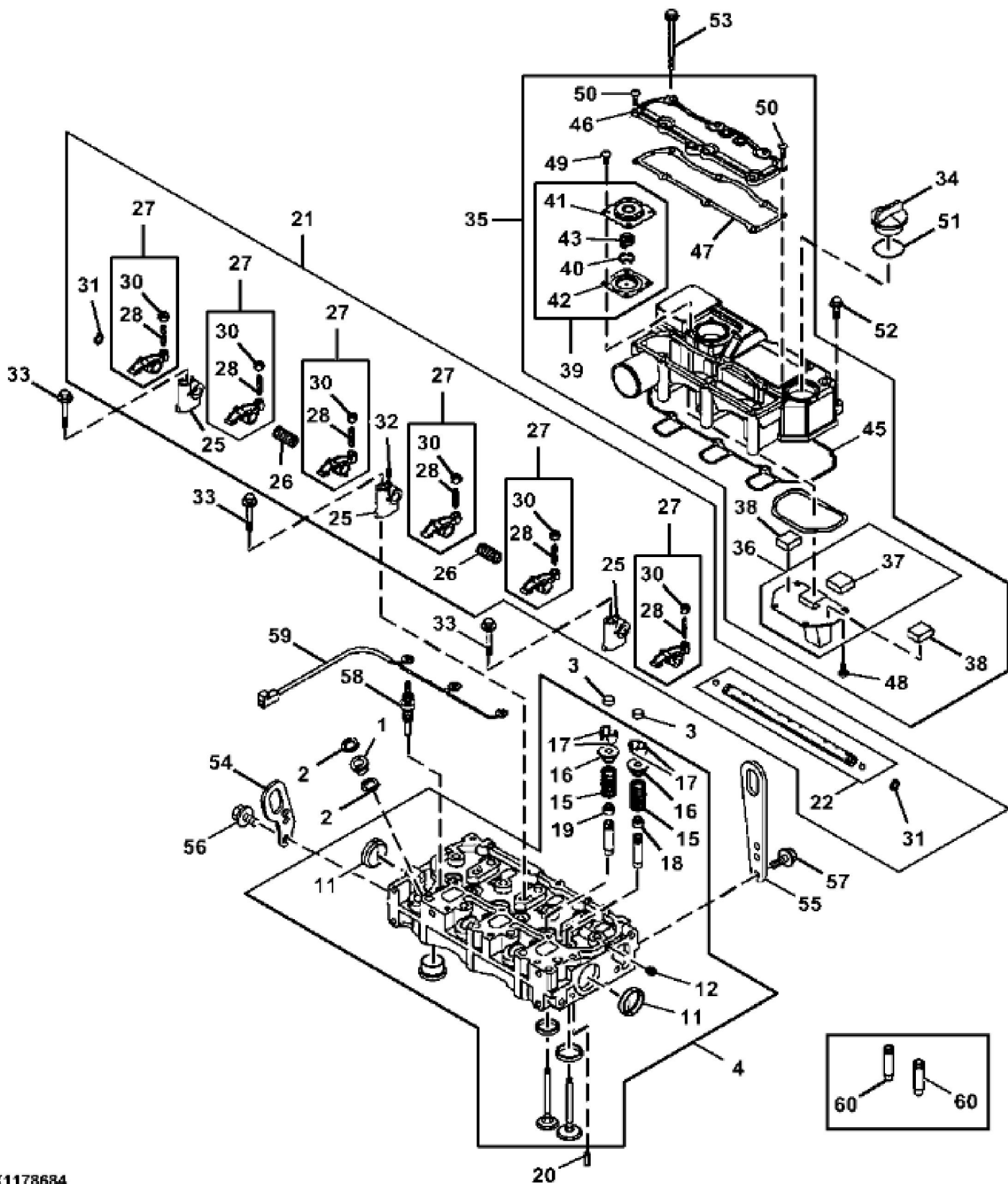
TX1178669

KEY	PART NO.	PART NAME	QTY	REMARKS
1	M811816	GEAR CASE	1	
2	M811820	STUD	3	
3	AM882445	COVER	1	
4	AM882469	COVER	1	
6	M806938	PLUG	2	
7	M811563	SEAL	1	
8	AM882435	COVER	1	
10	.....	PRESSURE RELIEF VALVE	1	NSEP
13	M811888	ROTOR	1	
14	M811889	ROTOR	1	
15	M811061	SCREW	8	
16	M811823	COVER	1	
17	M800006	DOWEL PIN	4	
18	M809204	O-RING	1	
19	M811885	O-RING	3	
20	CH16940	O-RING	1	
21	19M7774	SCREW	1	M6 X 12, SUB FOR M87819
22	19M7775	SCREW	4	M6 X 16, SUB FOR M87868
23	19M7797	SCREW	4	M6 X 40, SUB FOR M800008
24	19M7797	SCREW	3	M6 X 40, SUB FOR M800008
25	M89120	BOLT	7	
26	M800065	BOLT	2	
27	14M7298	FLANGE NUT	3	M8, SUB FOR M810186
28	M805710	CAP	1	
29	M805711	PACKING	1	



TX1178680

KEY	PART NO.	PART NAME	QTY	REMARKS
1	M802255	PIN	2	
2	MIU803952	HOUSING	1	
3	M88659	PLUG	1	
4	MIU800347	SEAL	1	
5	19M7402	CAP SCREW	8	M10 X 25, SUB FOR M800077
6	19M7662	CAP SCREW	3	M10 X 30, SUB FOR M801201
7	M811822	SPACER	1	
8	MIA883935	OIL PAN	1	
9	T111565	PLUG	1	
11	M806433	WASHER	1	SUB FOR M811568
12	19M7864	SCREW	1	M8 X 12, SUB FOR CH19137
13	19M7868	SCREW	1	M8 X 30
14	CH19101	BOLT	11	
15	CH19086	BOLT	3	



Thank you so much for reading.  
Please click the “Buy Now!”  
button below to download the  
complete manual.



After you pay.

You can download the most  
perfect and complete manual in  
the world immediately.

Our support email:

[ebooklibonline@outlook.com](mailto:ebooklibonline@outlook.com)