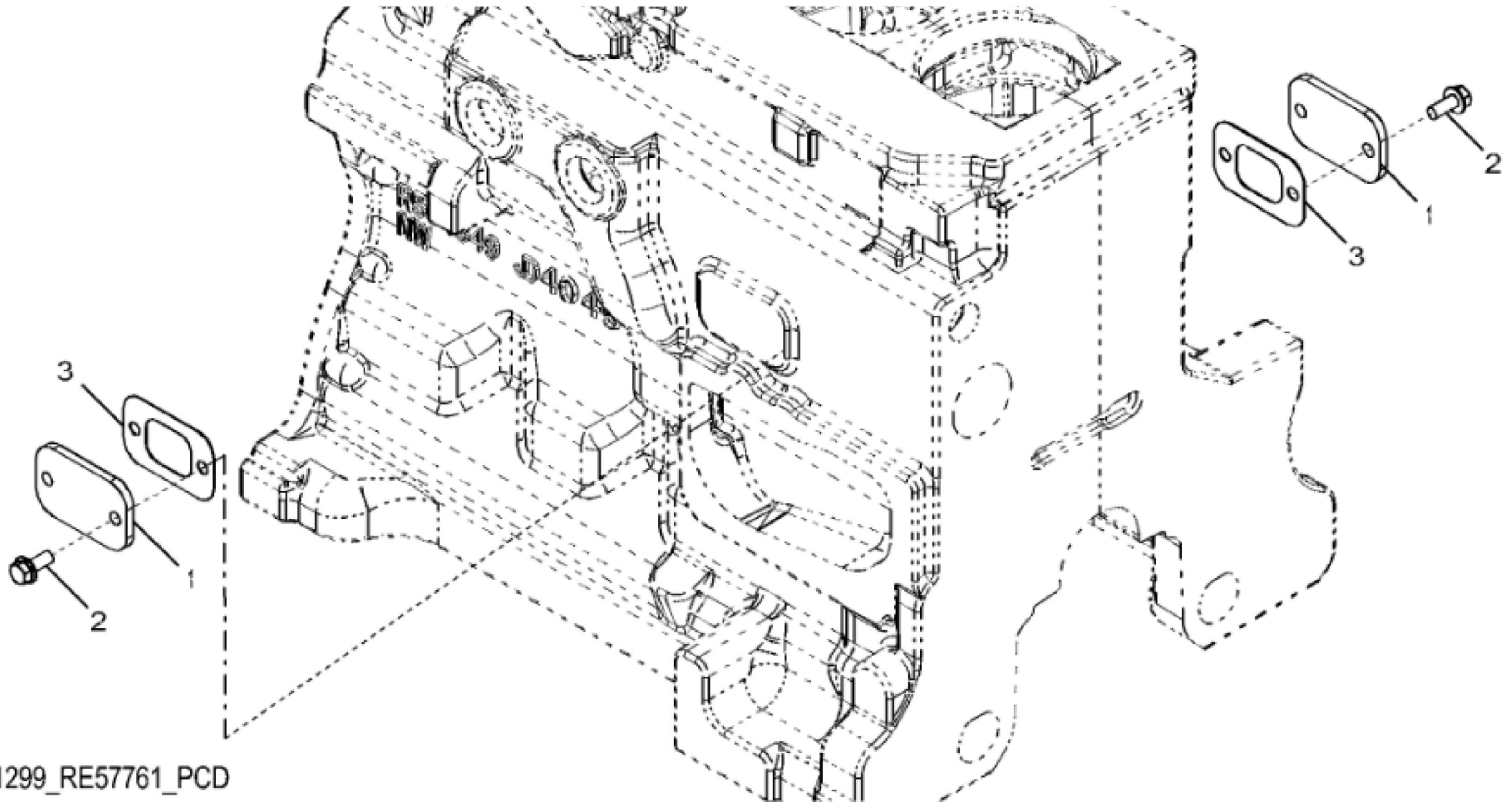


John Deere > Construction And Forestry > EXCAVATOR > E210 - EXCAVATOR > E210 Excavator (PIN: 1YNE21A\_\_C400201- )(PIN: 1YNE21A\_\_D400204- )(Engine: 4045HXU05, 4045HXU04) > 04A ENGINE  
 4045HXU05-RE545837 > 0400A ENGINE 4045HXU05-RE545837 4045HXU05 > ST742956 - 1193 ROCKER ARM COVER

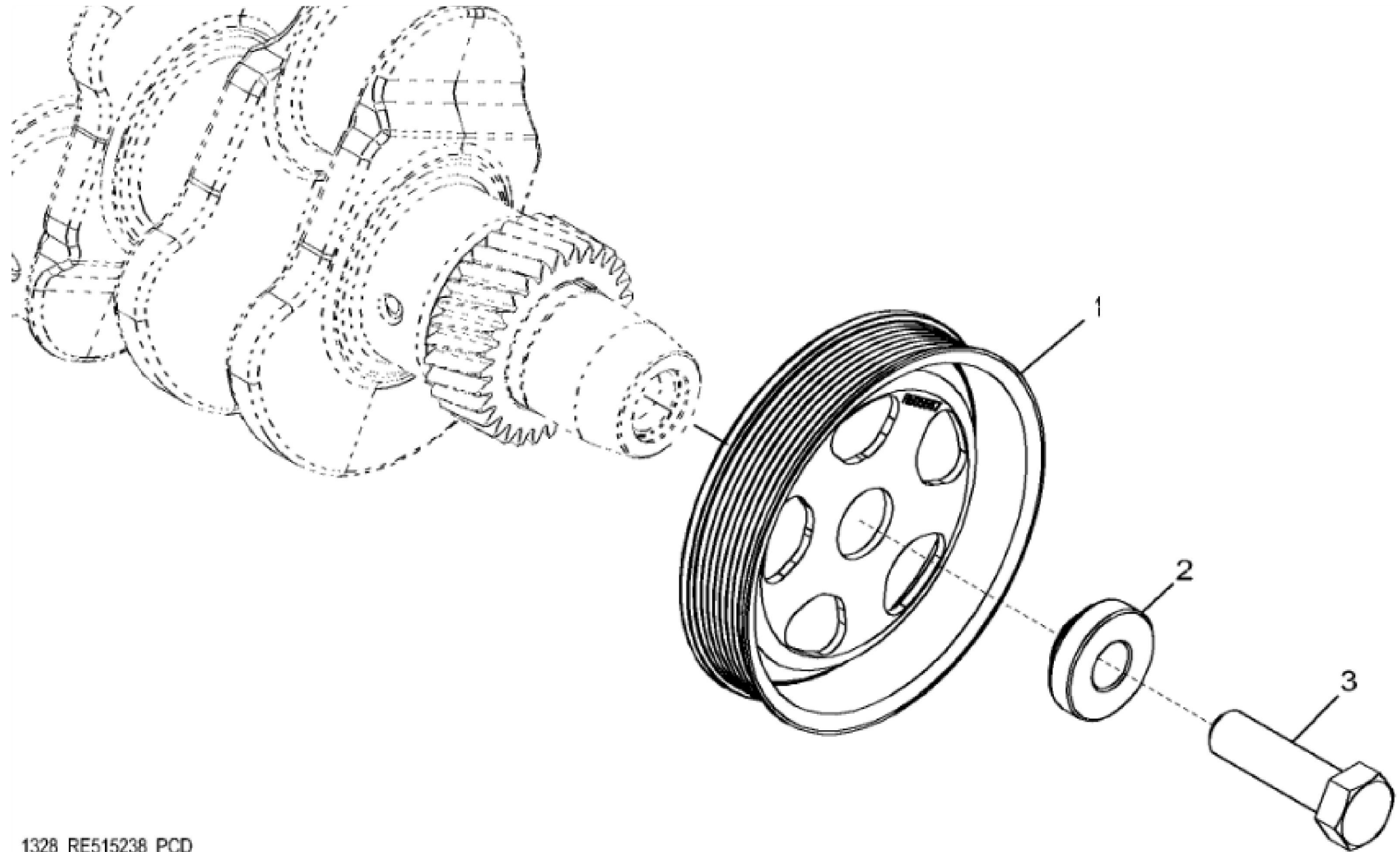
KEY	PART NO.	PART NAME	QTY	REMARKS
1	19M7386	CAP SCREW	2	M12 X 20
2	24M7047	WASHER	2	13 X 24 X 2.500 mm
3	R516708	HEAT SHIELD	1	
4	19M7774	SCREW	2	M6 X 12
5	RE535517	FILLER CAP	1	
6	R521401	MEDALLION	1	
7	RE548712	VALVE COVER	1	
8	H23125	PLUG	5	
9	R521390	SCREW	5	
10	R123575	O-RING	5	
11	R524499	GASKET	1	
12	R515555	DEFLECTOR	1	
13	19M7775	SCREW	2	M6 X 16



1299\_RE57761\_PCD

John Deere > Construction And Forestry > EXCAVATOR > E210 - EXCAVATOR > E210 Excavator (PIN: 1YNE21A\_\_C400201- )(PIN: 1YNE21A\_\_D400204- )(Engine: 4045HXU05, 4045HXU04) > 04A ENGINE 4045HXU05-RE545837 > 0400A ENGINE 4045HXU05-RE545837 4045HXU05 > ST73498 - 1299 OIL FILLER NECK COVER

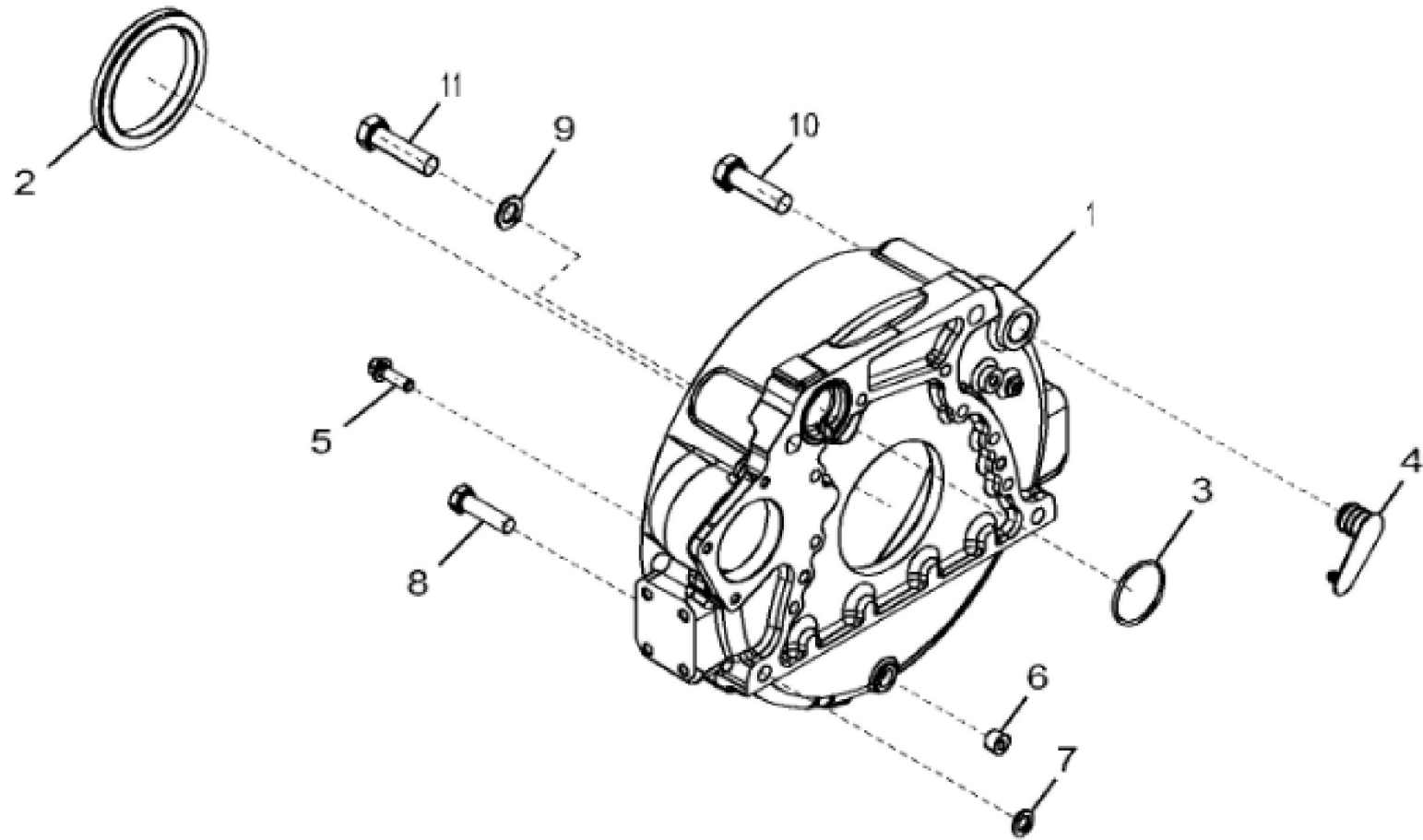
KEY	PART NO.	PART NAME	QTY	REMARKS	
1	R116296	COVER	2		
2	RE67238	SCREW	4	(Threads With Pre-Applied Sealant) M8 X 20	
3	R136495	GASKET	2		



1328\_RE515238\_PCD

John Deere > Construction And Forestry > EXCAVATOR > E210 - EXCAVATOR > E210 Excavator (PIN: 1YNE21A\_\_C400201- )(PIN: 1YNE21A\_\_D400204- )(Engine: 4045HXU05, 4045HXU04) > 04A ENGINE 4045HXU05-RE545837 > 0400A ENGINE 4045HXU05-RE545837 4045HXU05 > ST628039 - 1328 CRANKSHAFT PULLEY

KEY	PART NO.	PART NAME	QTY	REMARKS	
1	R505567	PULLEY	1	OD = 173 mm	
2	R515040	BUSHING	1	OD = 50 mm	
3	R516648	CAP SCREW	1	(One Time Usage) M20 X 70	



14BD\_RE554987\_PCD

Thank you so much for reading.  
Please click the “Buy Now!”  
button below to download the  
complete manual.



After you pay.

You can download the most  
perfect and complete manual in  
the world immediately.

Our support email:

[ebooklibonline@outlook.com](mailto:ebooklibonline@outlook.com)