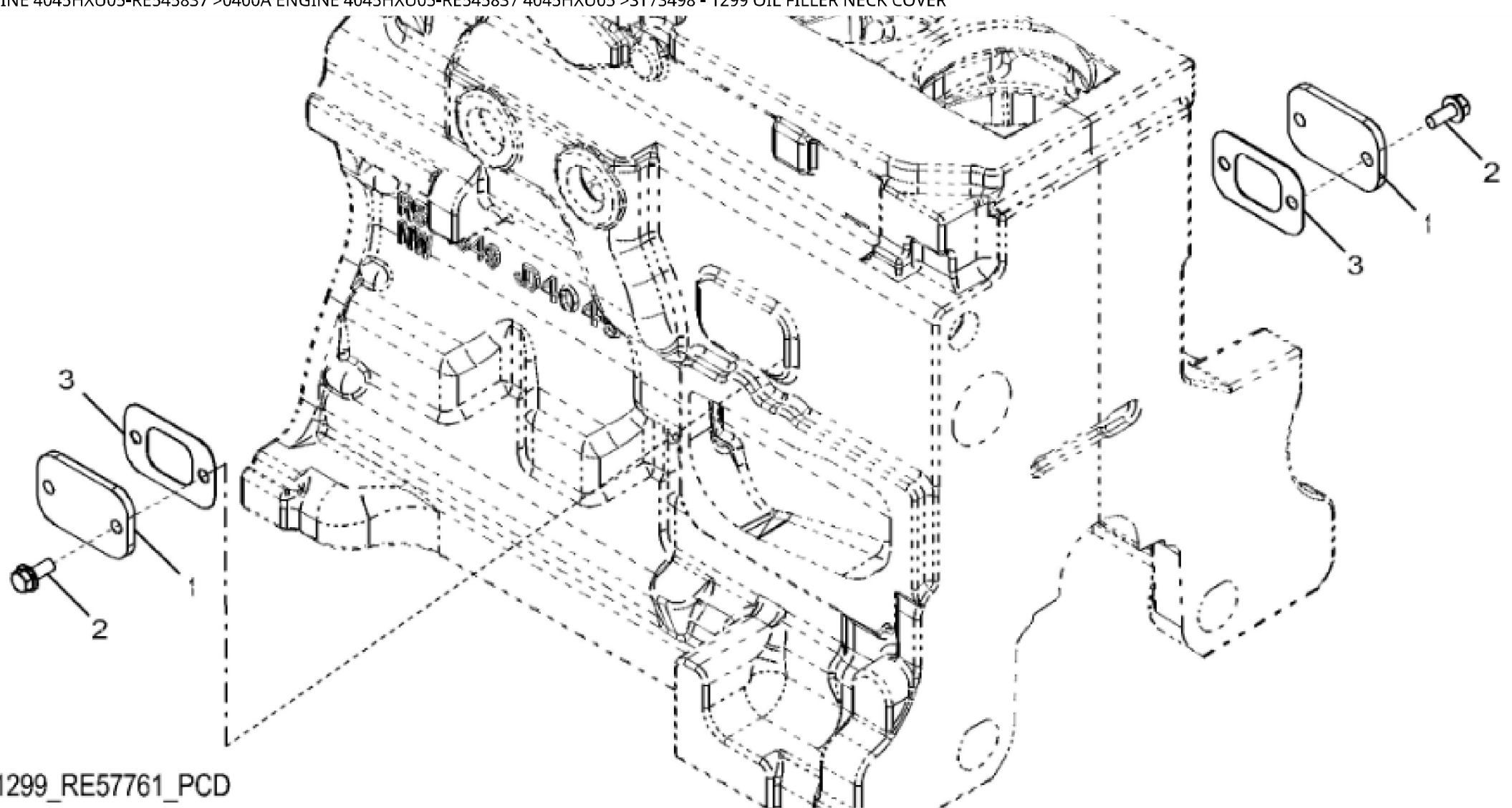


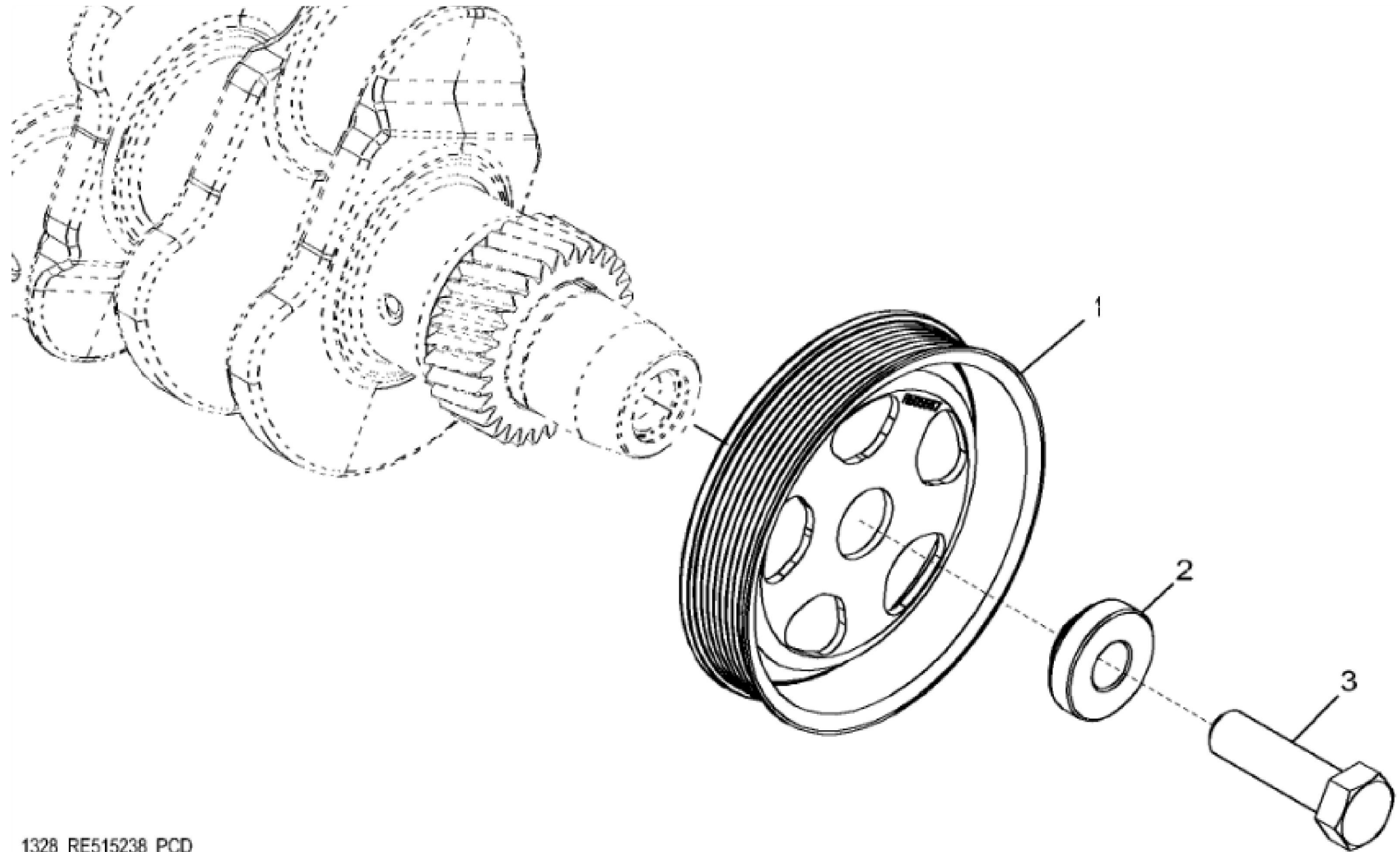
KEY	PART NO.	PART NAME	QTY	REMARKS	
1	19M7386	CAP SCREW	2	M12 X 20	
2	24M7047	WASHER	2	13 X 24 X 2.500 mm	
3	R516708	HEAT SHIELD	1		
4	19M7774	SCREW	2	M6 X 12	
5	RE535517	FILLER CAP	1		
6	R521401	MEDALLION	1		
7	RE548712	VALVE COVER	1		
8	H23125	PLUG	5		
9	R521390	SCREW	5		
10	R123575	O-RING	5		
11	R524499	GASKET	1		
12	R515555	DEFLECTOR	1		
13	19M7775	SCREW	2	M6 X 16	



1299_RE57761_PCD

John Deere > Construction And Forestry > EXCAVATOR > E230LC - EXCAVATOR > E230LC Excavator (PIN: 1YNE23AL_C400201-)(PIN: 1YNE23AL_D400202-)(Engine: 4045HXU05, 4045HXU04) > 04A
ENGINE 4045HXU05-RE545837 > 0400A ENGINE 4045HXU05-RE545837 4045HXU05 > ST73498 - 1299 OIL FILLER NECK COVER

KEY	PART NO.	PART NAME	QTY	REMARKS	
1	R116296	COVER	2		
2	RE67238	SCREW	4	(Threads With Pre-Applied Sealant) M8 X 20	
3	R136495	GASKET	2		

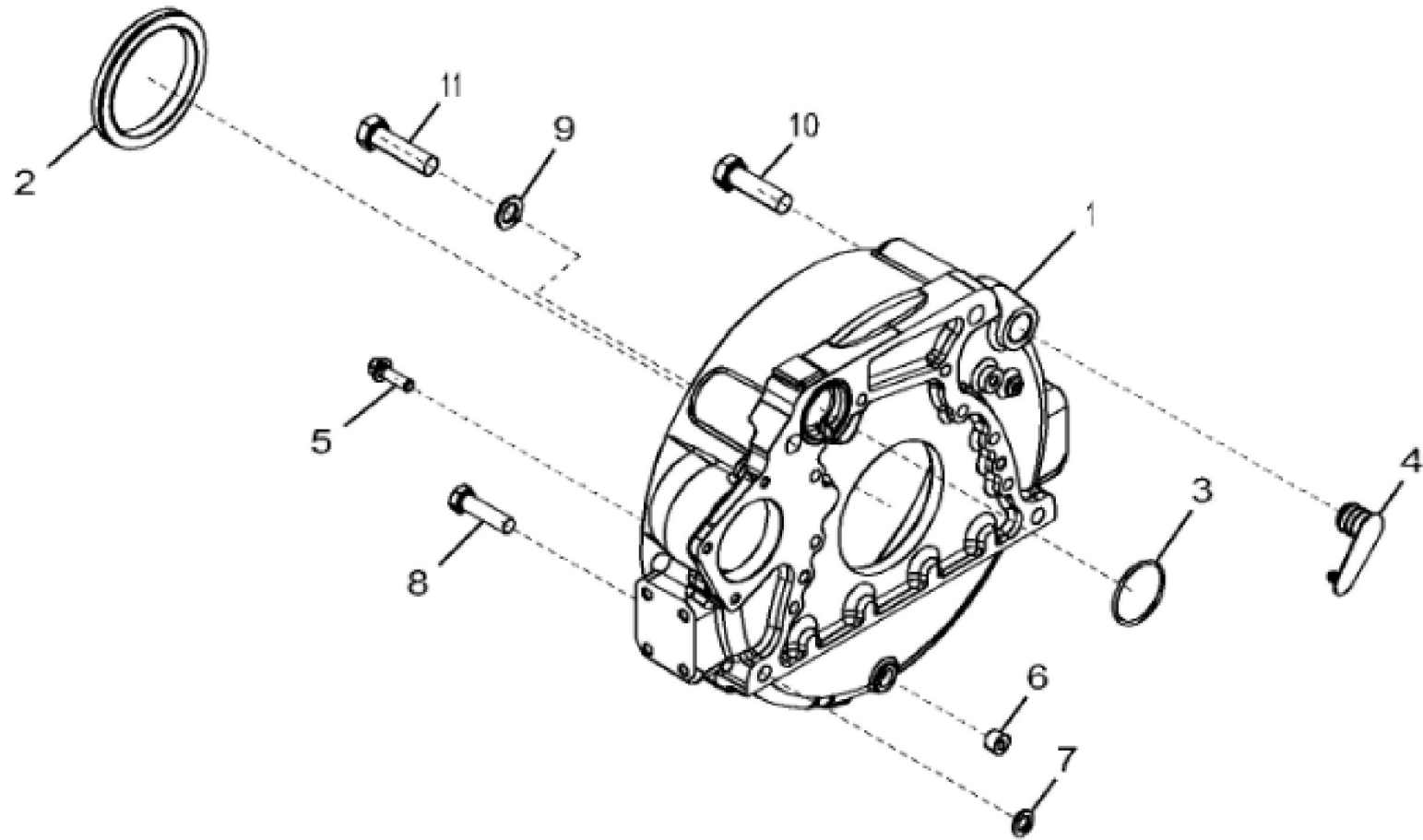


1328_RE515238_PCD

John Deere > Construction And Forestry > EXCAVATOR > E230LC - EXCAVATOR > E230LC Excavator (PIN: 1YNE23AL_ C400201-)(PIN: 1YNE23AL_ D400202-)(Engine: 4045HXU05, 4045HXU04) >04A

ENGINE 4045HXU05-RE545837 >0400A ENGINE 4045HXU05-RE545837 4045HXU05 >ST628039 - 1328 CRANKSHAFT PULLEY

KEY	PART NO.	PART NAME	QTY	REMARKS	
1	R505567	PULLEY	1	OD = 173 mm	
2	R515040	BUSHING	1	OD = 50 mm	
3	R516648	CAP SCREW	1	(One Time Usage) M20 X 70	



14BD_RE554987_PCD

Thank you so much for reading.
Please click the “Buy Now!”
button below to download the
complete manual.



After you pay.

You can download the most
perfect and complete manual in
the world immediately.

Our support email:

ebooklibonline@outlook.com