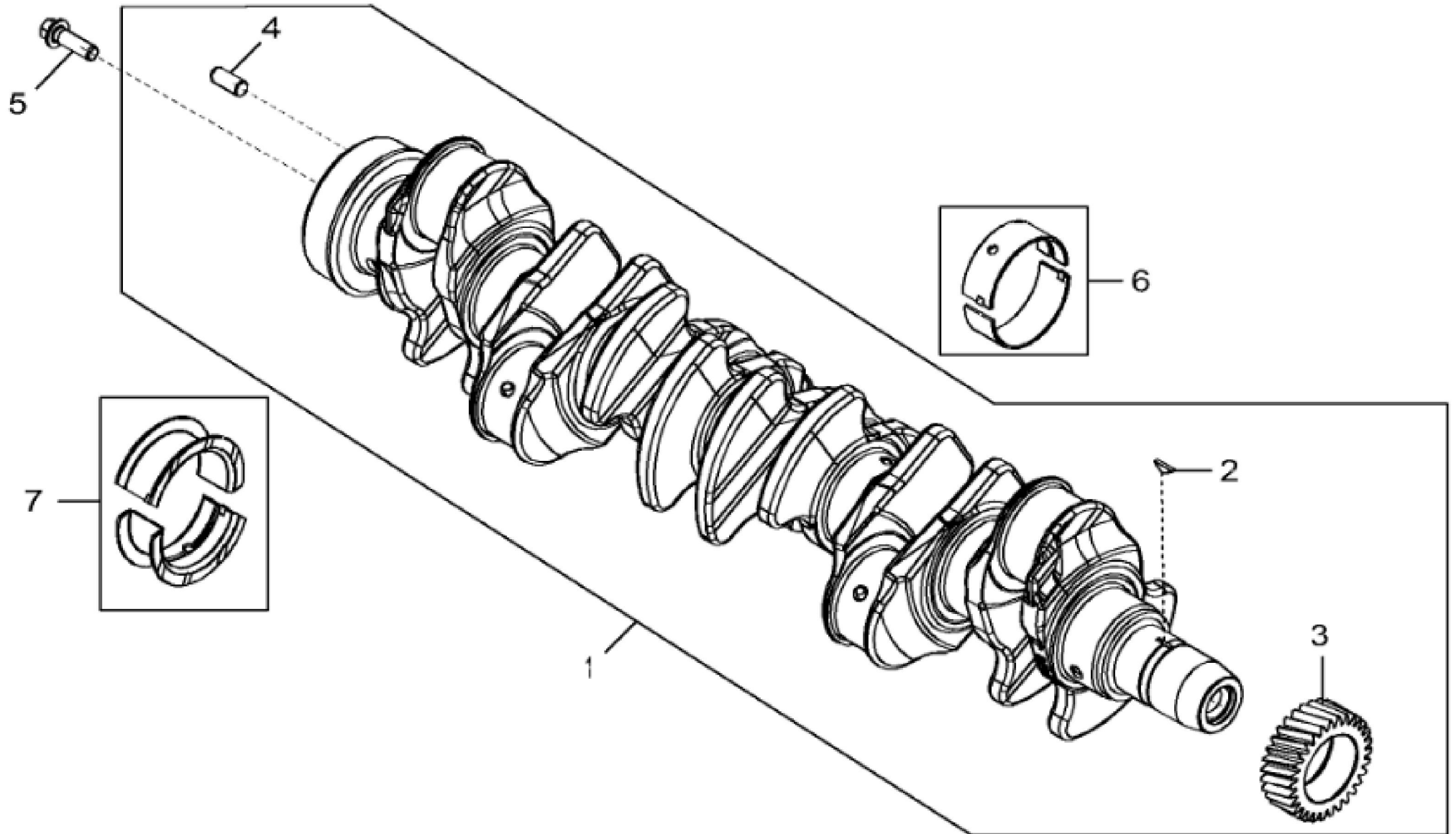
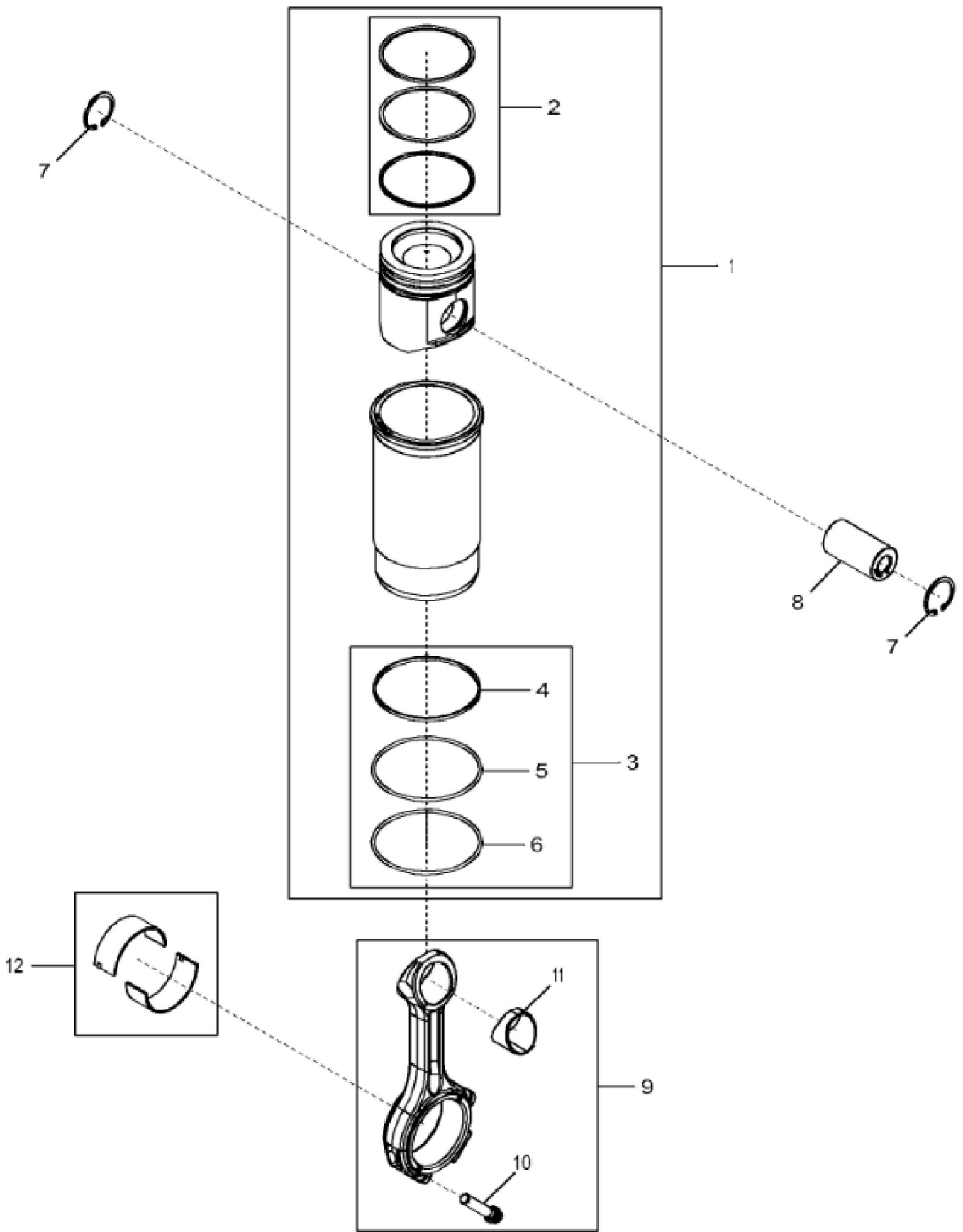


KEY	PART NO.	PART NAME	QTY	REMARKS
1	.....	CYLINDER BLOCK	1	MARKED R504850; ORDER RE528638
2	R116466	PLUG	1	
3	RE71255	PIPE PLUG	1	SUB FOR R104592 AND RE42713
4	B153R	DOWEL PIN	2	
5	R119874	BUSHING	1	ALSO ORDER TY6333
6	RE505501	BLEED VALVE	1	
7	R131425	COMPRESSION SPRING	1	
8	R121043	VALVE	1	
9	R111137	SPRING	1	
10	R97185	O-RING	1	
11	D2361R	BALL	1	
12	RE537834	ELBOW FITTING		Not Illustrated
13	R536082	BEARING CAP	6	
14	R528387	CAP SCREW	14	LGTH = 92 mm, USE WITH R515365 AND R515366
15	R535004	BEARING CAP	1	
16	RE508185	FITTING	2	1-5/8"-12 UN
17	U13639	O-RING	1	1-5/8"-12 UN
18	R48685	DOWEL PIN	1	SUB FOR A120R
19	T18891	PLUG	2	OD = 16 mm
20	15H584	PIPE PLUG	1	1/2"
21	R131182	ORIFICE	6	
22	RE507807	PIPE PLUG	1	1/4"-18 NPT
23	15H695	PIPE PLUG	1	3/8"
24	R515365	BEARING CAP	6	
25	R515366	BEARING CAP	1	



John Deere > Construction And Forestry > EXCAVATOR > E240 - EXCAVATOR > E240 Excavator (PIN: 1YNE24AL\_ \_C500201- )(PIN: 1YNE24AL\_ \_D500178- )(Engine: 6068HXU01, 6068HT087) > 04A ENGINE 6068HXU01-RE545839 > 0400A ENGINE 6068HXU01-RE545839 6068HXU01 > ST816629 - 4712 CRANKSHAFT AND BEARINGS

KEY	PART NO.	PART NAME	QTY	REMARKS
1	RE505921	CRANKSHAFT	1	MARKED R503470; ALSO ORDER RE537070 AND RE537071
1	SE501655	CRANKSHAFT REMAN	1	(With Bearings) REMAN FOR RE505921
2	R505609	SHAFT KEY	1	LGTH = 18.5 mm
3	R120631	GEAR	1	Z = 30
4	R48685	DOWEL PIN	1	SUB FOR A120R
5	R135918	BOLT	6	
6	RE65165	BEARING KIT	6	STD, Kit, R123561 AND R123562
6	RE65911	BEARING	AR	US = 0.254 mm, Kit, R130576 AND R130577
7	RE65168	BEARING KIT	1	STD, Kit, R123564 AND R123563
7	RE65912	THRUST BEARING	AR	US = 0.254 mm, Kit, R130574 AND R130575



John Deere > Construction And Forestry > EXCAVATOR > E240 - EXCAVATOR > E240 Excavator (PIN: 1YNE24AL\_\_C500201-)(PIN: 1YNE24AL\_\_D500178-)(Engine: 6068HXU01, 6068HT087) > 04A ENGINE 6068HXU01-RE545839 > 0400A ENGINE 6068HXU01-RE545839 6068HXU01 > ST624061 - 4834 CONNECTING RODS AND PISTONS

KEY	PART NO.	PART NAME	QTY	REMARKS
1	RE524450	PISTON-LINER KIT	6	PISTON MARKED RE521616
2	RE524453	PISTON RING KIT	6	
3	AR65507	O-RING KIT	6	
4	R48767	PACKING	6	
5	R26121	O-RING	6	
6	R55453	O-RING	6	
7	R54114	SNAP RING	12	
8	R502755	PISTON PIN	6	
9	RE500608	CONNECTING ROD	6	
9	SE501094	CONNECTING ROD REMAN	AR	REMAN FOR RE500608
10	R501124	SCREW	12	
11	R114082	BUSHING	6	
12	RE65908	BEARING	6	KIT; (2) R113698



Thank you so much for reading.  
Please click the “Buy Now!”  
button below to download the  
complete manual.



After you pay.

You can download the most  
perfect and complete manual in  
the world immediately.

Our support email:

[ebooklibonline@outlook.com](mailto:ebooklibonline@outlook.com)