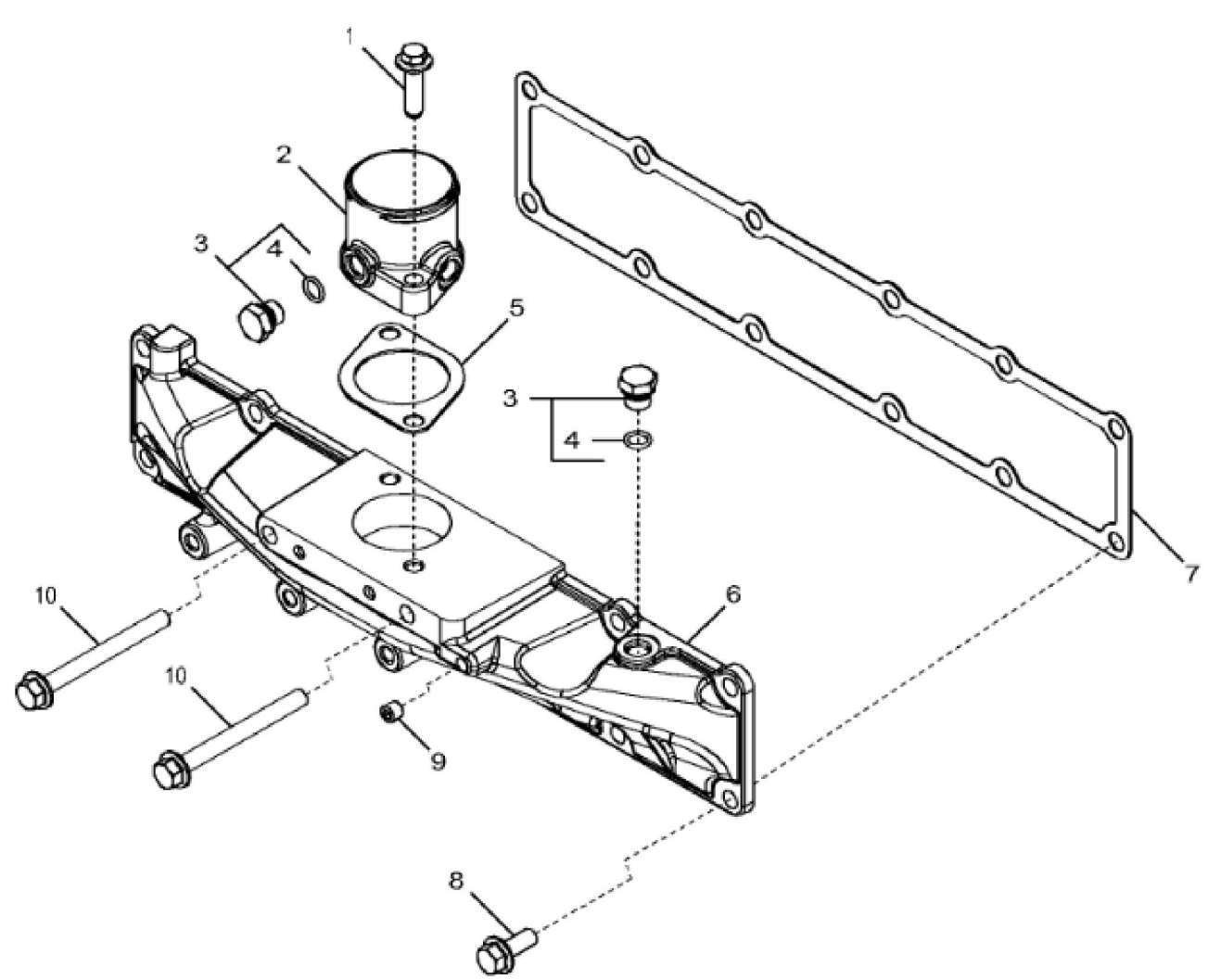


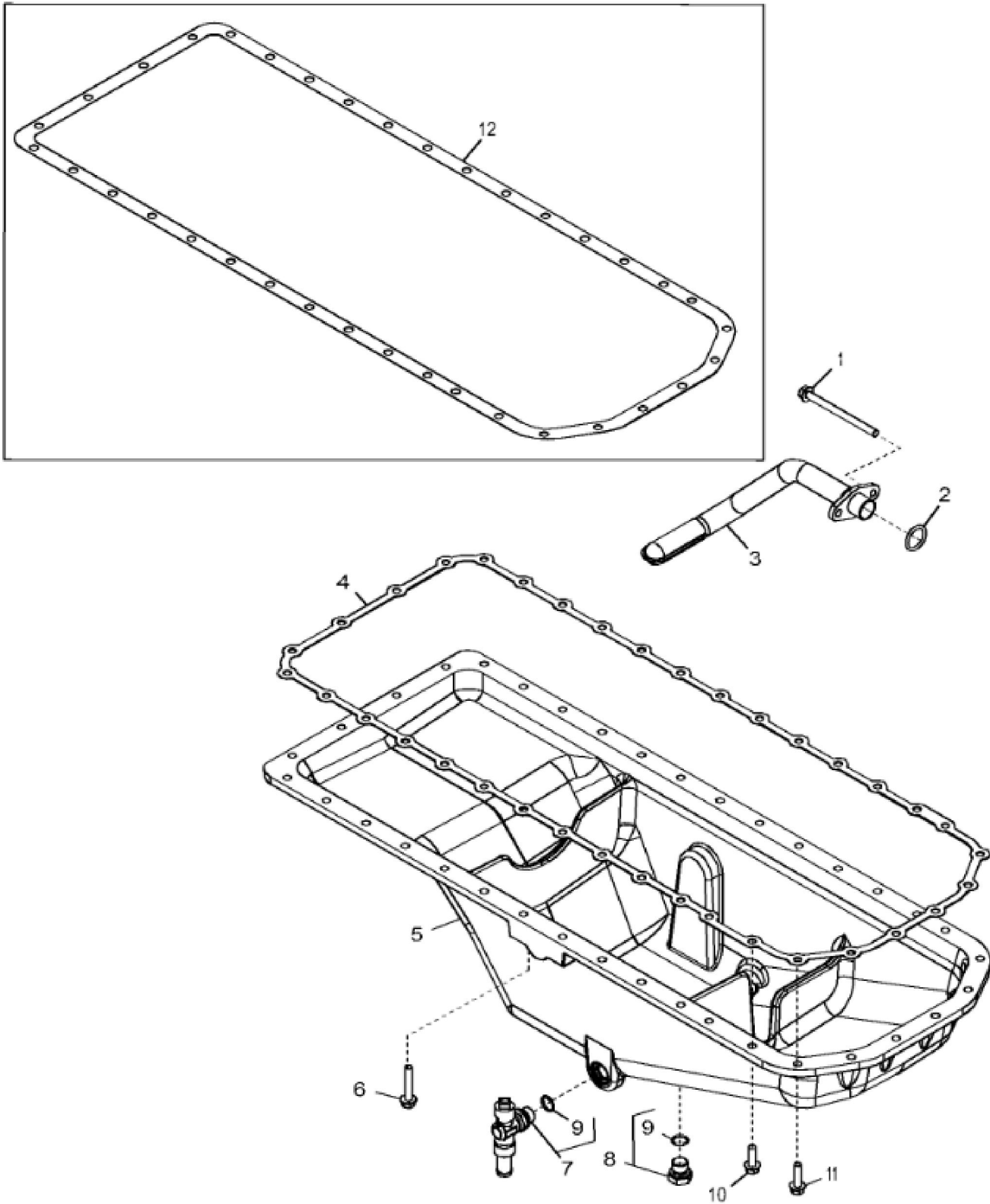
KEY	PART NO.	PART NAME	QTY	REMARKS
1	R518345	CLAMP	6	
2	R504781	CAP SCREW	6	
3	19M7775	SCREW	2	M6 X 16
4	RE509093	WIRING HARNESS	1	
5	DZ100217	NOZZLE KIT	1	SUB FOR RE546781 OR RE524382
6	R134920	NUT	12	
7	R65397	O-RING	6	
8	RE522594	TUBE	6	LGTH = 61 mm
9	INJECTION NOZZLE	6	TYPE 70 - 1200 cc, ORDER DZ100217
10	R505452	O-RING	6	
11	R515535	WASHER	6	
12	R515044	FITTING	6	M16 X 1.5 X M14 X 1.5, ALSO ORDER R65397
13	RE523249	FUEL LINE	2	SUB FOR RE507541
14	RE507540	FUEL LINE	2	
15	RE507539	FUEL LINE	2	
16	R529168	STUD	3	M10; LGTH = 90 mm
17	RE507959	FUEL INJECTION PUMP	1	SUB FOR RE527528 OR RE522595
17	SE501915	FUEL INJECTION PUMP REMAN	1	REMAN FOR RE507959
18	RE531864	CONTROL VALVE	1	SUB FOR RE530337; ORDER RE560091
18	RE560091	CONTROL VALVE	1	SUB FOR RE534109 OR RE532250
19	RE516336	FUEL TEMPERATURE SENSOR	1	
20	R524234	O-RING	1	
21	RE516999	SCREEN	1	
22	R516125	O-RING	1	
23	14M7298	FLANGE NUT	3	M8
24	R504577	ADAPTER FITTING	1	
25	AR65507	O-RING KIT	1	
26	R502541	GEAR	1	Z = 30
27	R91360	NUT	1	
28	R116031	O-RING	1	
29	RE517370	FITTING	1	
30	51M7044	O-RING	1	17.300 X 2.200 mm
31	RE544263	FUEL LINE	1	SUB FOR RE527055 OR RE507538
32	DZ104988	FUEL LINE	1	SUB FOR RE527054 AND RE544262

KEY	PART NO.	PART NAME	QTY	REMARKS	
33	19M7868	SCREW	2	M8 X 30	
34	R521530	BRACKET	1		
35	19M7785	SCREW	2	M10 X 25	
36	RE522596	RAIL	1	SUB FOR RE520928	
37	RE515636	RESTRICTOR	6		
38	RE516335	PRESSURE RELIEF VALVE	1	(With O-Ring) KIT; INCLUDES R515454	
39	RE520930	SENSOR	1		
40	R515454	SHIM	2		

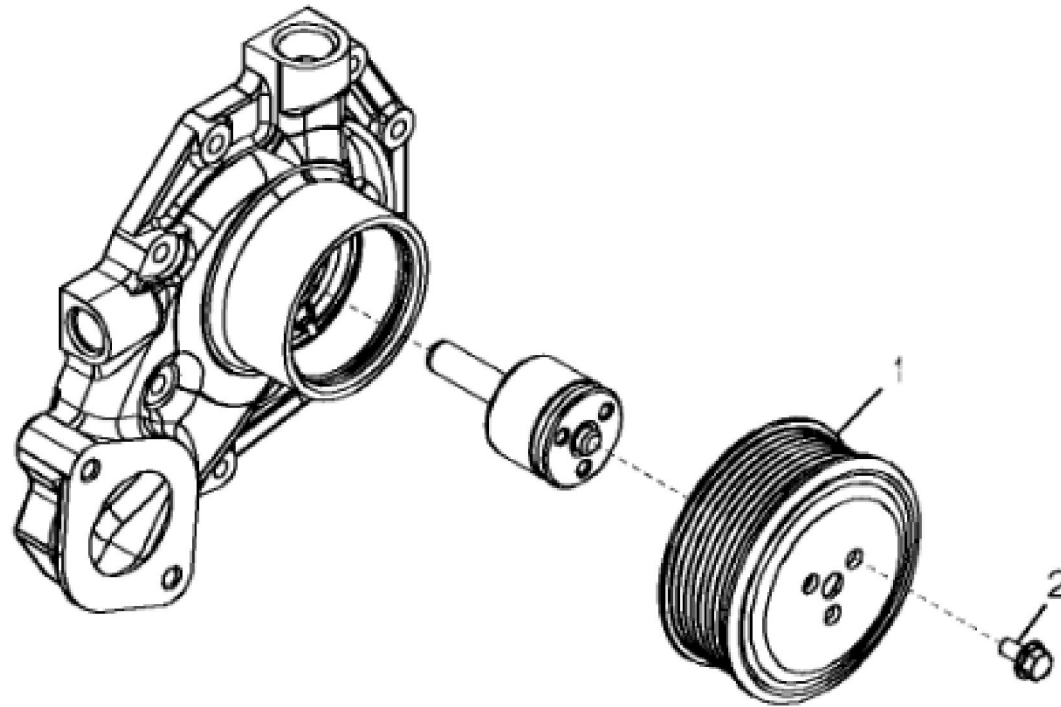
John Deere > Construction And Forestry > EXCAVATOR > E260LC - EXCAVATOR > E260LC Excavator (PIN: 1YNE26AL_C500201-)(PIN: 1YNE26AL_D500201-)(Engine: 6068HXU01, 6068HT087) >04A ENGINE 6068HXU01-RE545839 >0400A ENGINE 6068HXU01-RE545839 6068HXU01 >ST72082 - 1797 INTAKE MANIFOLD



KEY	PART NO.	PART NAME	QTY	REMARKS	
1	R500394	SCREW	2		
2	R532018	AIR INTAKE	1	SUB FOR R505166	
3	RE46684	FITTING PLUG	2	INCLUDES 51M7041	
4	51M7041	O-RING	1	11.300 X 2.200 mm	
5	R81275	GASKET	1		
6	R515029	COVER	1		
7	R515030	GASKET	1		
8	19M7785	SCREW	10	M10 X 25	
9	RE71255	PIPE PLUG	1		
10	19M7812	SCREW	2	M10 X 100	



KEY	PART NO.	PART NAME	QTY	REMARKS	
1	19M10075	SCREW	2	M8 X 110	
2	R61871	O-RING	1		
3	RE69898	OIL PUMP INTAKE	1		
4	R521498	GASKET	1	SUB FOR R123354	
5	R527787	OIL PAN	1	MARKED R529563	
6	19M7799	SCREW	4	M8 X 45	
7	RE507952	DRAIN VALVE	1		
8	RE46685	FITTING PLUG	1		
9	51M7043	O-RING	2	15.300 X 2.200 mm	
10	19M7867	SCREW	26	M8 X 25	
11	19M7868	SCREW	6	M8 X 30	
12	R123354	GASKET	1		



2001_RE58175_PCD

Thank you so much for reading.
Please click the “Buy Now!”
button below to download the
complete manual.



After you pay.

You can download the most
perfect and complete manual in
the world immediately.

Our support email:

ebooklibonline@outlook.com