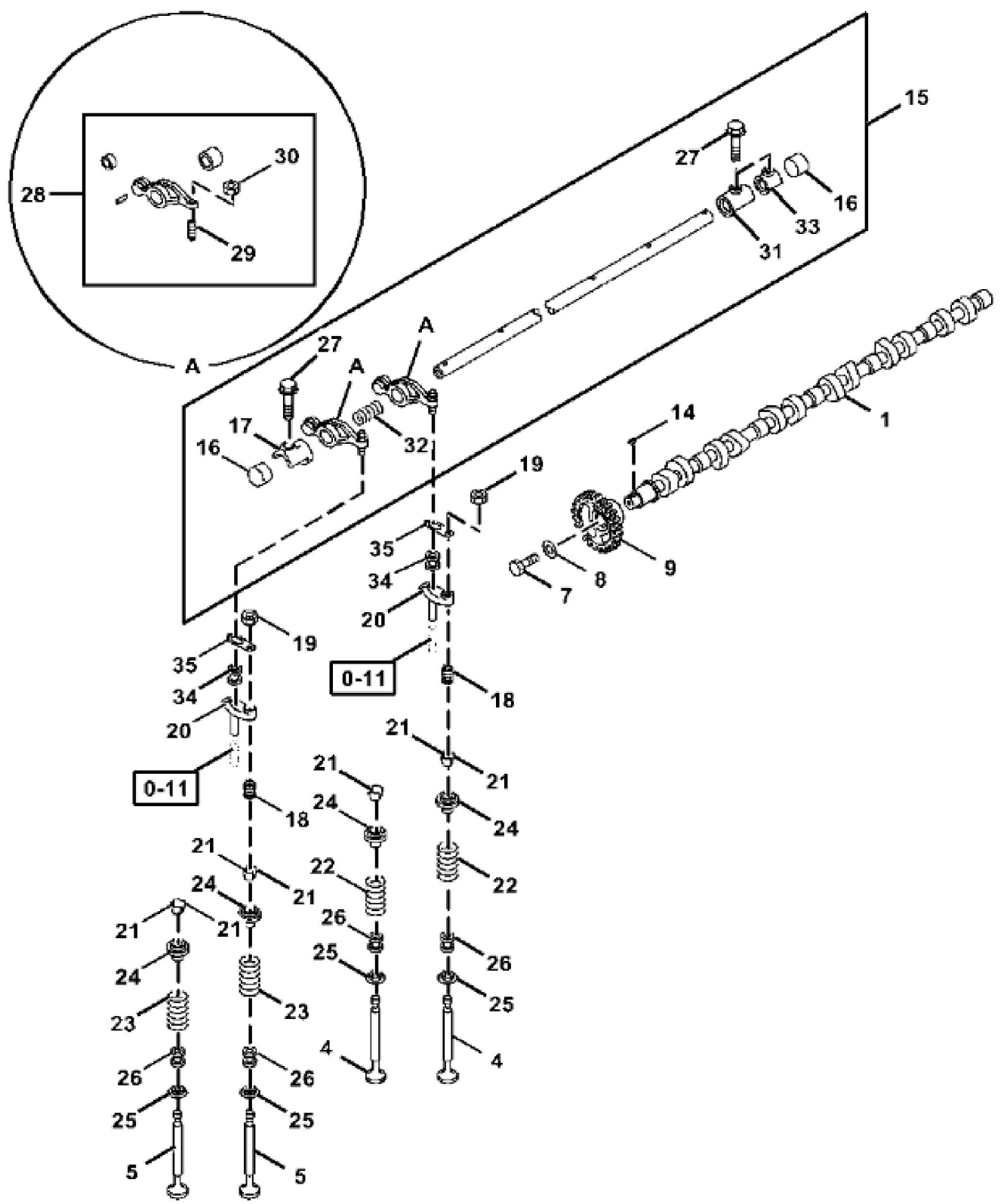
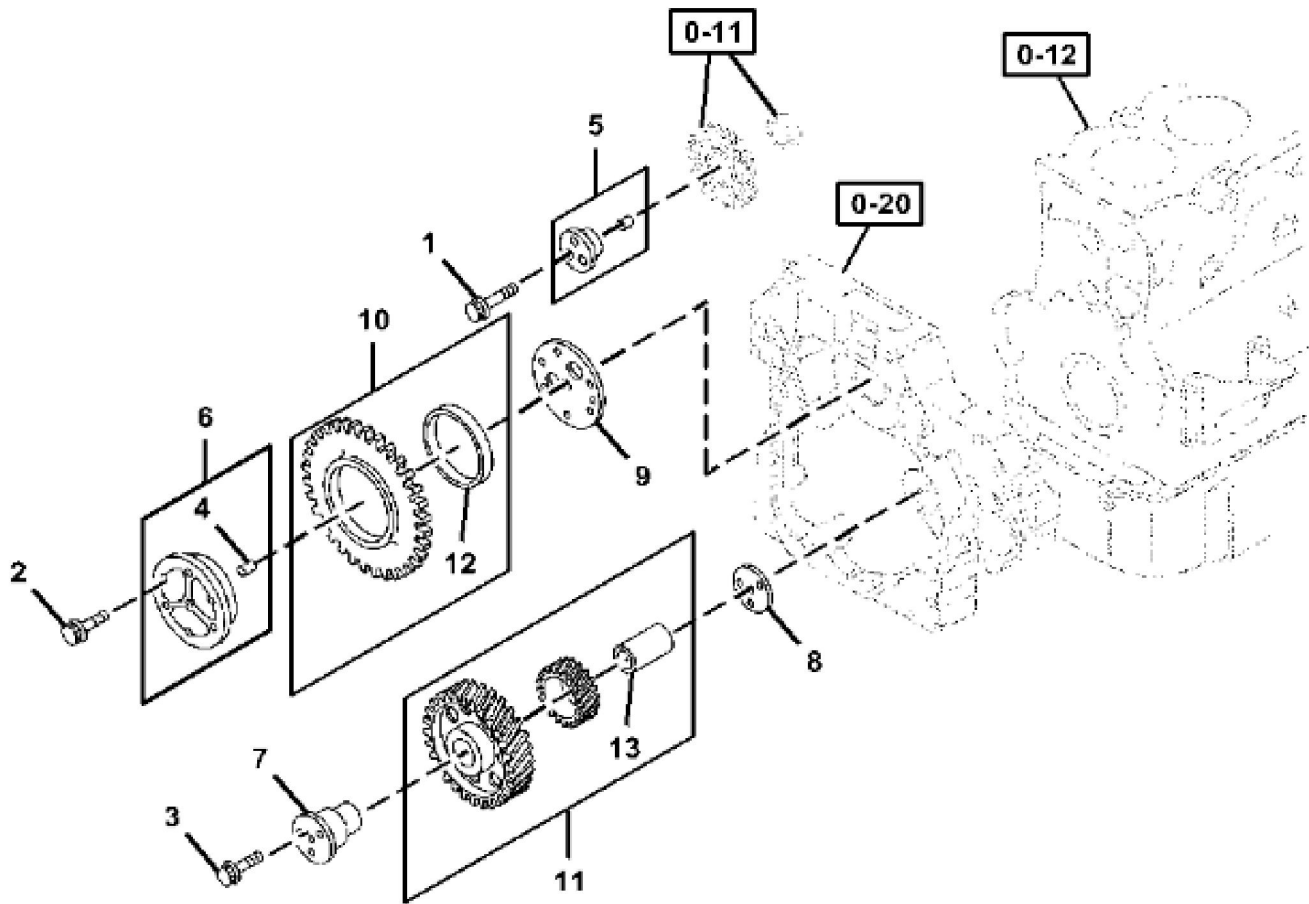


KEY	PART NO.	PART NAME	QTY	REMARKS
1	1113609170	OIL PAN	1	
2	1117604461	LEVEL GAUGE	1	
3	1096300900	GASKET	1	Also Included In Gasket Set (Engine)
4	1096040220	PIPE PLUG	1	
5	8981491020	OIL TUBE	1	
6	5096230023	GASKET	2	SUB FOR 1096234690
7	0281510200	BOLT	1	M10X20
8	8980281760	BRACKET	1	
9	8980630320	GASKET	1	Also Included In Gasket Set (Engine)
10	0506408250	BOLT	34	M8X25
11	1096040980	PLUG	1	
12	8971312230	SENSOR	1	Oil Level
13	8976049160	GASKET	1	Also Included In Gasket Set (Engine), SUB FOR 1096233550
14	5113690720	SPACER	1	
15	0506406280	BOLT	3	M6X28
16	8980900130	SPACER	1	
17	8941236231	GASKET	1	Also Included In Gasket Set (Engine)
18	1154196840	BRACKET	2	
19	0281560110	BOLT	4	M10X110
20	0280510200	BOLT	1	M10X20
21	0281510500	BOLT	4	M10X50
22	0281510350	BOLT	28	M10X35
23	8941332075	FILLER CAP	1	



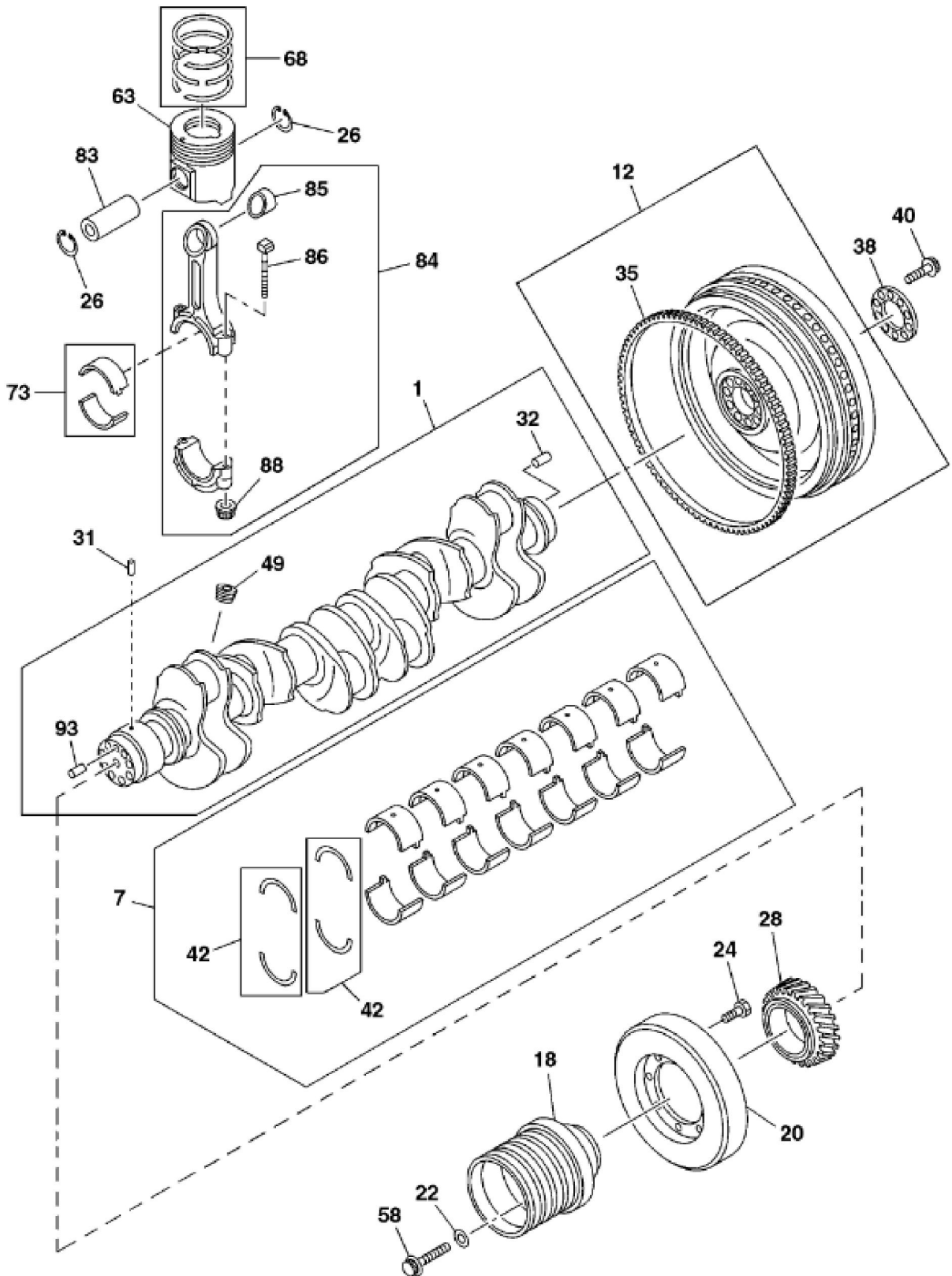
John Deere > Construction And Forestry > EXCAVATOR > 670GLC - EXCAVATOR > 670GLC Excavator (PIN: 1FF670GX_ F690001-) > 04A ENGINE 6WG1XASA02 (- 069002) > 0400 ENGINE 6WG1XASA02 (- 069002) 6WG1XASA02 > ST834511 - 0-14 ENGINE CAMSHAFT AND VALVES

KEY	PART NO.	PART NAME	QTY	REMARKS
1	1125112552	CAMSHAFT	1	
4	1125511624	INTAKE VALVE	12	
5	1125521003	EXHAUST VALVE	12	
7	9920614280	BOLT	1	
8	9098518503	WASHER	1	
9	1125220601	GEAR	1	
14	9080555160	KEY	1	
15	8981917452	SHAFT	1	
16	9111290820	PLUG	2	
17	1126280703	BRACKET	1	
18	1126160420	SCREW	12	
19	9098403100	NUT	12	
20	1126112773	VALVE BRIDGE	12	
21	1125650070	BUSHING	48	
22	8976033050	SPRING	12	Inlet
23	1125610930	SPRING	12	Exhaust
24	1125630600	PLATE	24	Upper
25	1125630562	PLATE	24	Lower
26	1125690200	SEAL	24	Also Included in Gasket Set (Engine and Head)
27	1090440871	BOLT	7	
28	1126100802	ROCKER ARM	12	
29	1126160341	SCREW	12	
30	0911105120	NUT	12	
31	1126280682	BRACKET	5	
32	1095804721	SPRING	6	
33	1126280723	BRACKET	1	
34	1126160400	CAP	12	
35	1126190112	PLATE	12	



John Deere > Construction And Forestry > EXCAVATOR > 670GLC - EXCAVATOR > 670GLC Excavator (PIN: 1FF670GX_ F690001-) > 04A ENGINE 6WG1XASA02 (- 069002) > 0400 ENGINE 6WG1XASA02 (- 069002) 6WG1XASA02 > ST834507 - 0-14 ENGINE CAMSHAFT AND VALVE SUPPORT

KEY	PART NO.	PART NAME	QTY	REMARKS	
1	0281510400	BOLT	3	M10X40	
2	0281510600	BOLT	6	M10X60	
3	1090700873	BOLT	3	M12X114	
4	9081612320	DOWEL PIN	1		
5	1125310931	SHAFT	1		
6	1125310762	SHAFT	1		
7	1125310922	SHAFT	1		
8	1125350081	BUSHING	1		
9	1125350190	BUSHING	1		
10	1125233691	GEAR	1		
11	1125233340	IDLER GEAR	1	SUB FOR 1125233661	
12	1093301241	BUSHING	1		
13	8980811670	BUSHING	1		



TX1091475

Thank you so much for reading.
Please click the “Buy Now!”
button below to download the
complete manual.



After you pay.

You can download the most
perfect and complete manual in
the world immediately.

Our support email:

ebooklibonline@outlook.com