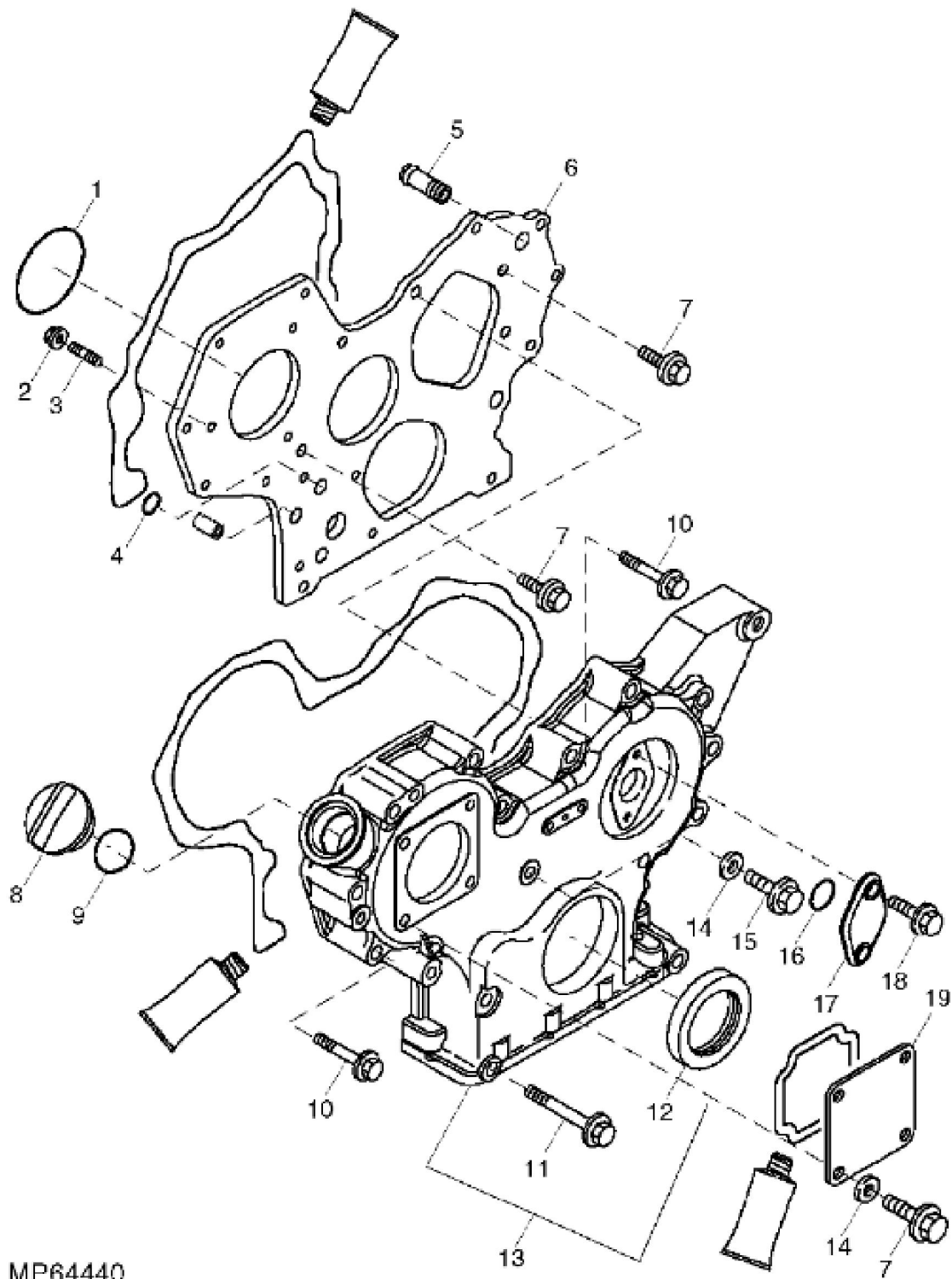


MP64439

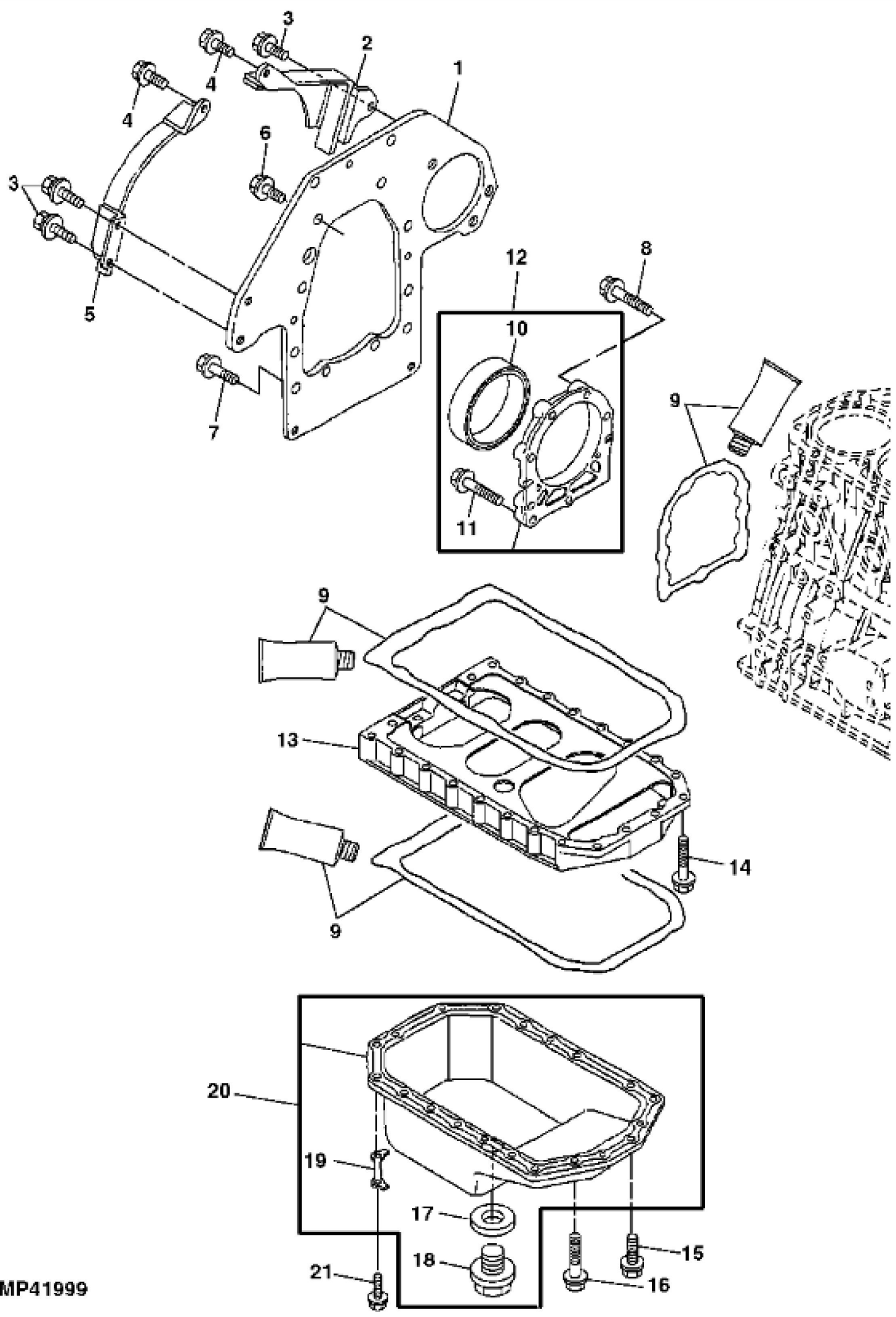
John Deere > Turf And Utility >MOWER, FAIRWAY >8500 - MOWER, FAIRWAY >8500 E-Cut Hybrid Lightweight Fairway Mower >20 ENGINE 3TNV84T MIA12555 >ST476995 - CYLINDER BLOCK AND MAIN BEARINGS

KEY	PART NO.	PART NAME	QTY	REMARKS
1	M801186	BOLT	14	
2	M806440	ENGINE CYLINDER HEAD GASKET	1	
3	CH18079	SPRING PIN	2	
4	M809565	DRAIN PLUG	1	
5	30M7023	PLUG	6	
6	CH10335	PLUG	3	
7	M802255	PIN	4	
8	15H562	PIPE PLUG	1	1"
9	MIU800573	BUSHING	1	CAMSHAFT
10	MIU800797	SHAFT	1	
11	19M8317	SCREW	3	M8 X 40
12	M87801	PLUG	2	
13	M800974	PIPE	2	
14	CH10314	PLUG	1	
15	CH15575	PIN	3	
16	T110725	NOZZLE	3	
17	T110724	CHECK VALVE	3	
18	MIA880555	BEARING	2	
19	MIA880554	BEARING	4	STD
19	MIA880550	BEARING	4	US=0.25
20	M801189	BOLT	8	
21	MIA880914	CYLINDER BLOCK	1	



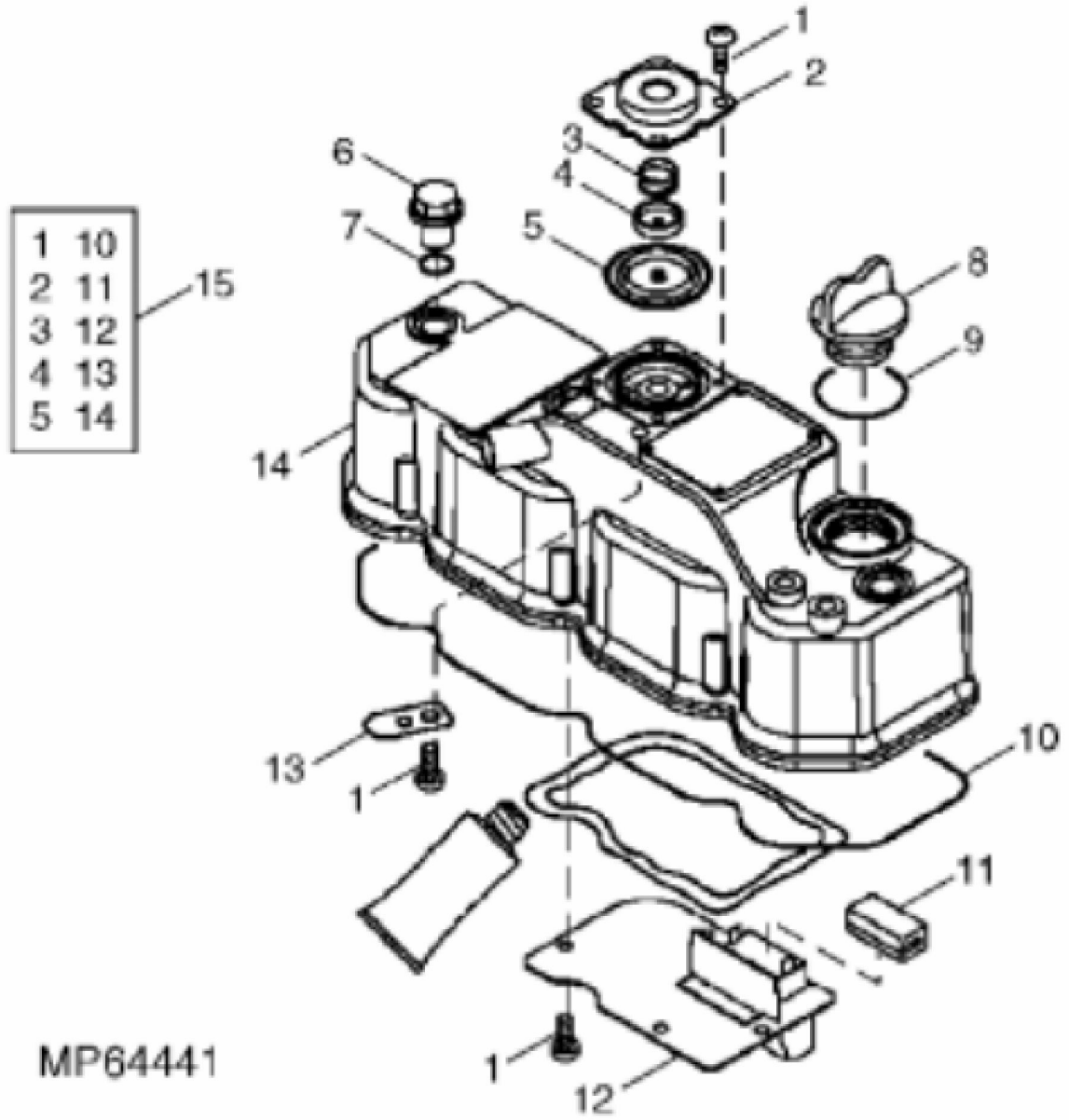
MP64440

KEY	PART NO.	PART NAME	QTY	REMARKS	
1	CH16940	O-RING	1		
2	14M7298	FLANGE NUT	3	M8	
3	MIU800440	STUD	3		
4	M810185	O-RING	2		
5	T110730	UNIVERSAL JOINT	1		
6	MIU800906	FLANGE	1		
7	19M7865	SCREW	7	M8 X 16	
8	M805710	CAP	1		
9	M805711	PACKING	1		
10	19M7979	SCREW	12	M8 X 55	
11	CH19136	BOLT	3		
12	M811078	SEAL	1		
13	MIA880879	GEAR CASE	1		
14	M803523	WASHER	5		
15	19M7868	SCREW	1	M8 X 30	
16	CH17653	PACKING	1		
17	MIU800476	COVER	1		
18	19M7774	SCREW	2	M6 X 12	
19	CH18096	COVER	1		



John Deere > Turf And Utility > MOWER, FAIRWAY > 8500 - MOWER, FAIRWAY > 8500 E-Cut Hybrid Lightweight Fairway Mower > 20 ENGINE 3TNV84T MIA12555 > ST476997 - MOUNTING FLANGE AND OIL PAN

KEY	PART NO.	PART NAME	QTY	REMARKS
1	M800991	PLATE	1	
2	M805003	HOUSING	1	FLYWHEEL
3	CH20044	BOLT	3	
4	19M7268	CAP SCREW	2	M12 X 25
5	M805004	HOUSING	1	
6	M800011	BOLT	6	
7	19M7402	CAP SCREW	4	M10 X 25
8	19M7868	SCREW	6	M8 X 30
9	M64850	SEALANT	AR	
10	M805278	SEAL	1	
11	19M7897	SCREW	3	M8 X 35
12	AM875375	CASE	1	OIL SEAL
13	M801735	RESERVOIR	1	INTERMEDIATE
14	19M7865	SCREW	4	M8 X 16
15	19M7867	SCREW	2	M8 X 25
16	19M7800	SCREW	4	M8 X 50
17	CH13526	PACKING	1	
18	M800994	DRAIN PLUG	1	
19	M801206	PLATE	2	
20	AM878538	OIL PAN	1	
21	CH19101	BOLT	16	



Thank you so much for reading.  
Please click the “Buy Now!”  
button below to download the  
complete manual.



After you pay.

You can download the most  
perfect and complete manual in  
the world immediately.

Our support email:

[ebooklibonline@outlook.com](mailto:ebooklibonline@outlook.com)