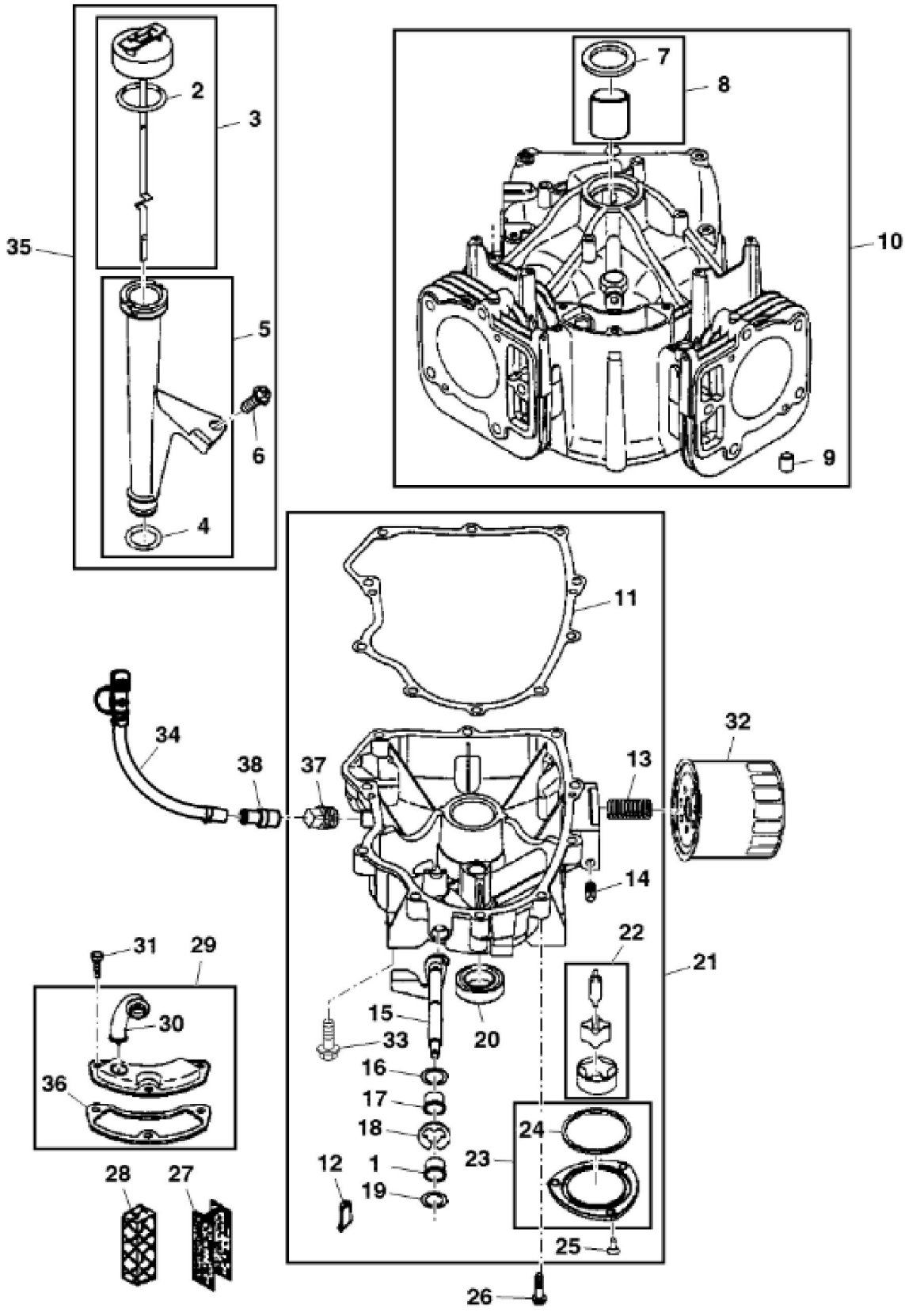


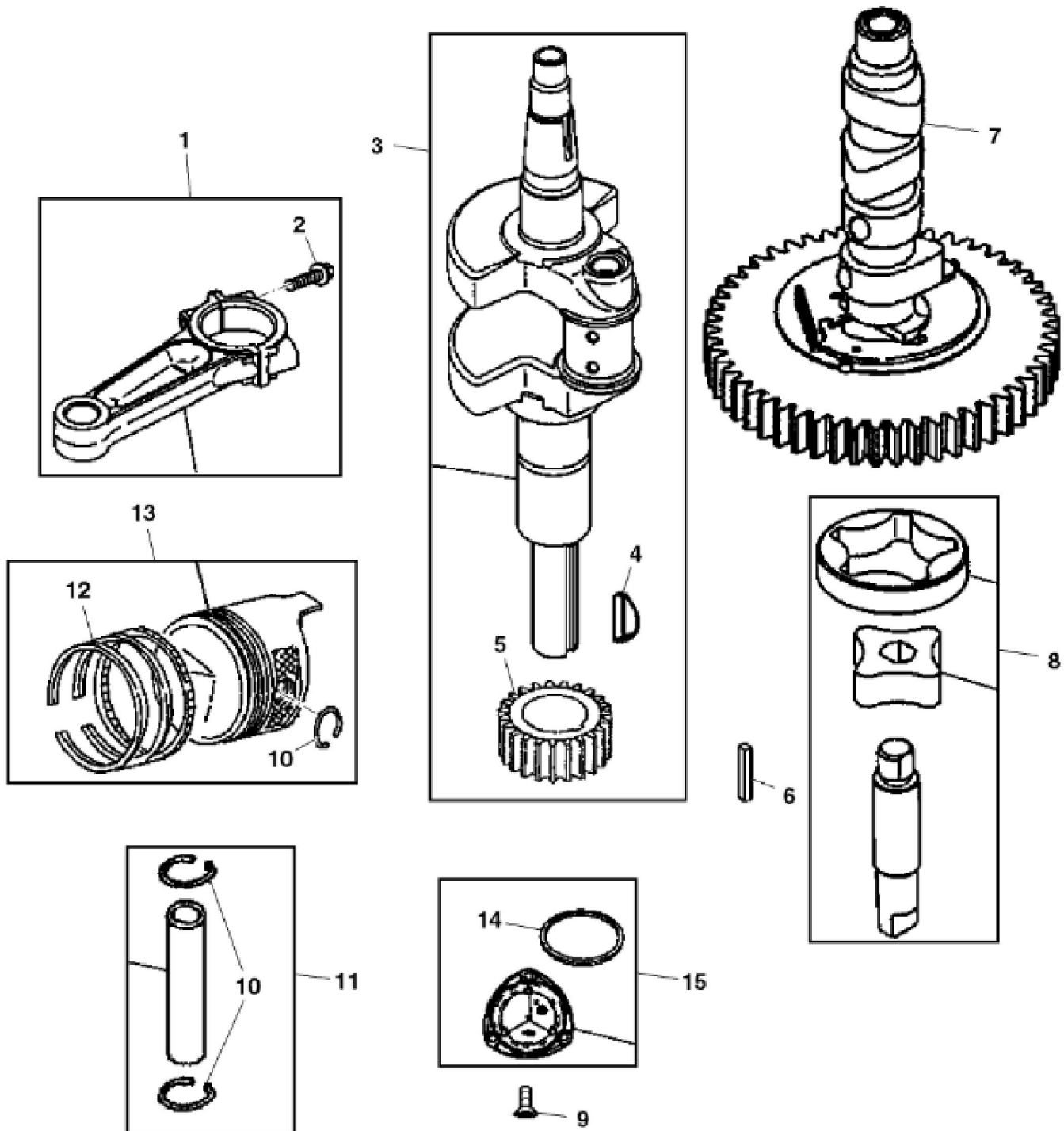
PU16554

KEY	PART NO.	PART NAME	QTY	Serial No.	REMARKS	
1	MIA12281	GASOLINE ENGINE	1	____-150000		
1	MIA12597	GASOLINE ENGINE	1	150001-170000		
1	MIA12765	GASOLINE ENGINE	1	170001-____		

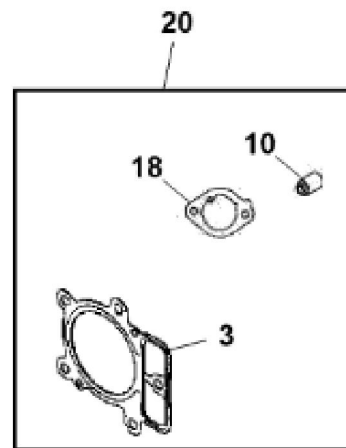
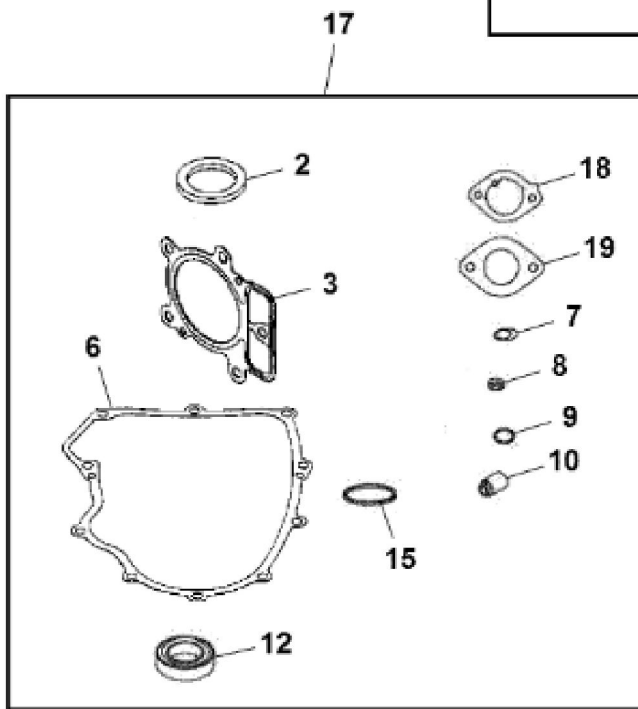
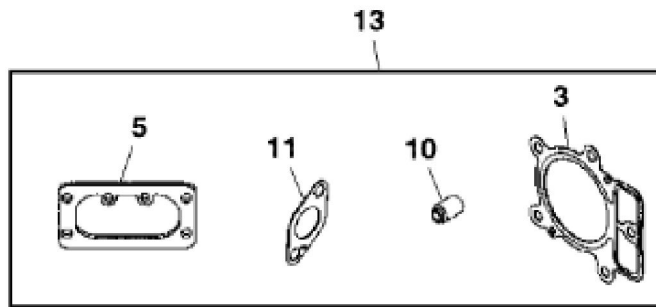
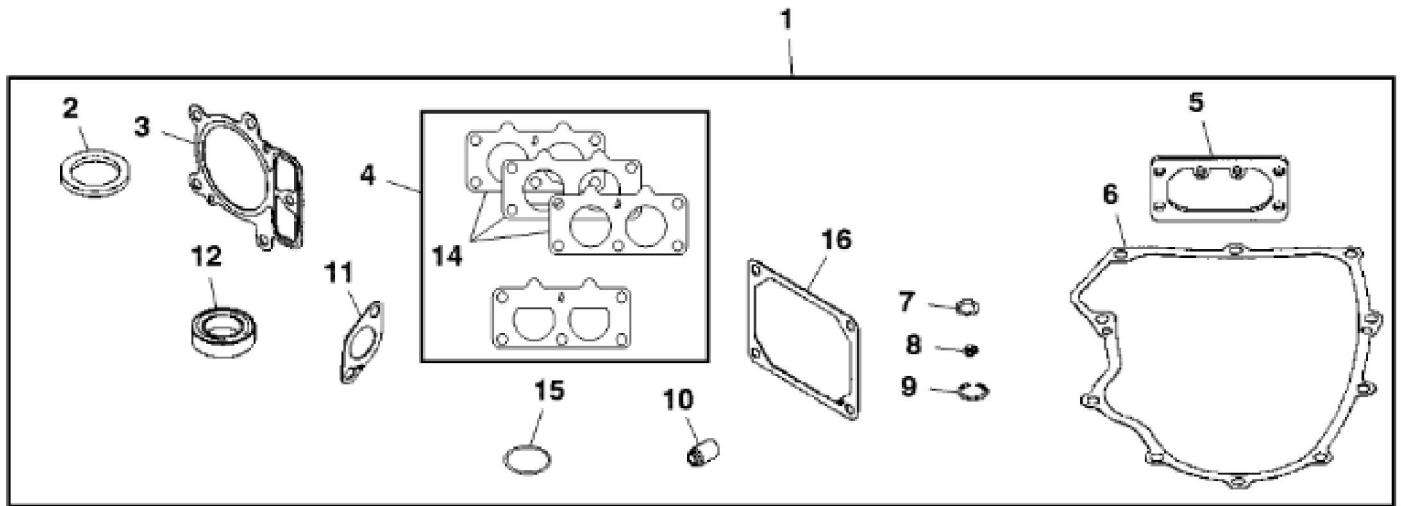


KEY	PART NO.	PART NAME	QTY	Serial No.	REMARKS
1	MIU12503	BUSHING	1		Governor Crank
2	LG691031	O-RING	1		
3	LG691036	DIPSTICK	1		
4	LG691032	SEAL	1		
5	LG691037	OIL TUBE	1		
6	M153266	SCREW	1		
7	LG391086S	SEAL	1		
8	MIA11778	BUSHING KIT	1		
9	LG690959	DOWEL PIN	6		
10	MIA13087	CYLINDER BLOCK	1	____-150000	MARKED 407777-0290-G5; SUB FOR APPL MIA12493
10	MIA13076	CYLINDER	1	150001-____	MARKED 44R677-0003-G1; SUB FOR MIA12510
11	MIU14436	GASKET	1		SUB FORMIU13979
12	MIU12140	SCREEN	1		
13	LG690954	THREADED NIPPLE	1		
14	15H638	PIPE PLUG	1		1/8"
15	LG691045	CRANK	1		
16	M142280	WASHER	1		Governor Crank
17	M142282	BUSHING	2		Governor Crank
18	M142286	RETAINER	2		
19	MIU11284	SEAL	1		Governor Shaft
20	MIU11958	SEAL	1		
21	MIA11584	RESERVOIR	1		
22	MIU12143	OIL PUMP	1		
23	MIA11464	COVER	1		
24	MIU12153	SEAL	1		
25	MIU12142	SCREW	3		
26	M142896	SCREW	10		
27	LG690957	RETAINER	1		
28	MIU11502	BREATHER	1		
29	MIA10872	BREATHER	1		
30	MIU14443	TUBE	1		SUB FOR MIU11280
31	LG691108	SCREW	3		
32	AM125424	OIL FILTER	1		
33	GX24210	SCREW	4		
34	MIU14391	HOSE	1		MARKED 44N677-0002-G1; SUB FOR MIU13041

KEY	PART NO.	PART NAME	QTY	Serial No.	REMARKS	
35	UC11104	DIPSTICK	1		SUB FOR LG499602	
36	LG690937	GASKET	1			
37	15H623	PIPE PLUG	1		3/8", SUB FOR LG690946	
38	MIU14390	HOSE FITTING	1		MARKED 44N677-0002-G1	



KEY	PART NO.	PART NAME	QTY	Serial No.	REMARKS
1	MIA11459	CONNECTING ROD	2		
2	LG690976	SCREW	4		
3	MIA11457	CRANKSHAFT	1		
4	26H4	SHAFT KEY	1		1/8" X 3/8"
5	LG690980	GEAR	1		Timing
6	LG2226985	SHAFT KEY	1		Flywheel
7	MIA10916	CAMSHAFT	1		
8	MIU12143	OIL PUMP	1		
9	MIU12142	SCREW	2		
10	LG690975	LOCK	2		
11	MIA11458	PISTON PIN	2		
12	MIU12013	PISTON RING KIT	2	____-150000	STD
12	MIU12161	RING	2	____-150000	0.020", OS
12	MIU11282	PISTON RING KIT	5	150001-170000	MARKED 44R677-0003-G1; STD
12	MIU11283	PISTON RING KIT	2	170001-____	0.020", MARKED 44N677-0002-G1; OS
13	MIA11346	PISTON	2	____-150000	STD
13	MIA11102	PISTON	2	____-150000	0.020", OS
13	MIA10996	PISTON	2	150001-170000	MARKED 44R677-003-G1
13	MIA11788	PISTON	2	170001-____	0.020", MARKED 44N677-0002-G1; OS
14	MIU12153	SEAL	1		Oil Pump Cover
15	MIA11464	COVER	1		Oil Pump
..	PM37469	LIQUID GASKET	1		



Thank you so much for reading.
Please click the “Buy Now!”
button below to download the
complete manual.



After you pay.

You can download the most
perfect and complete manual in
the world immediately.

Our support email:

ebooklibonline@outlook.com