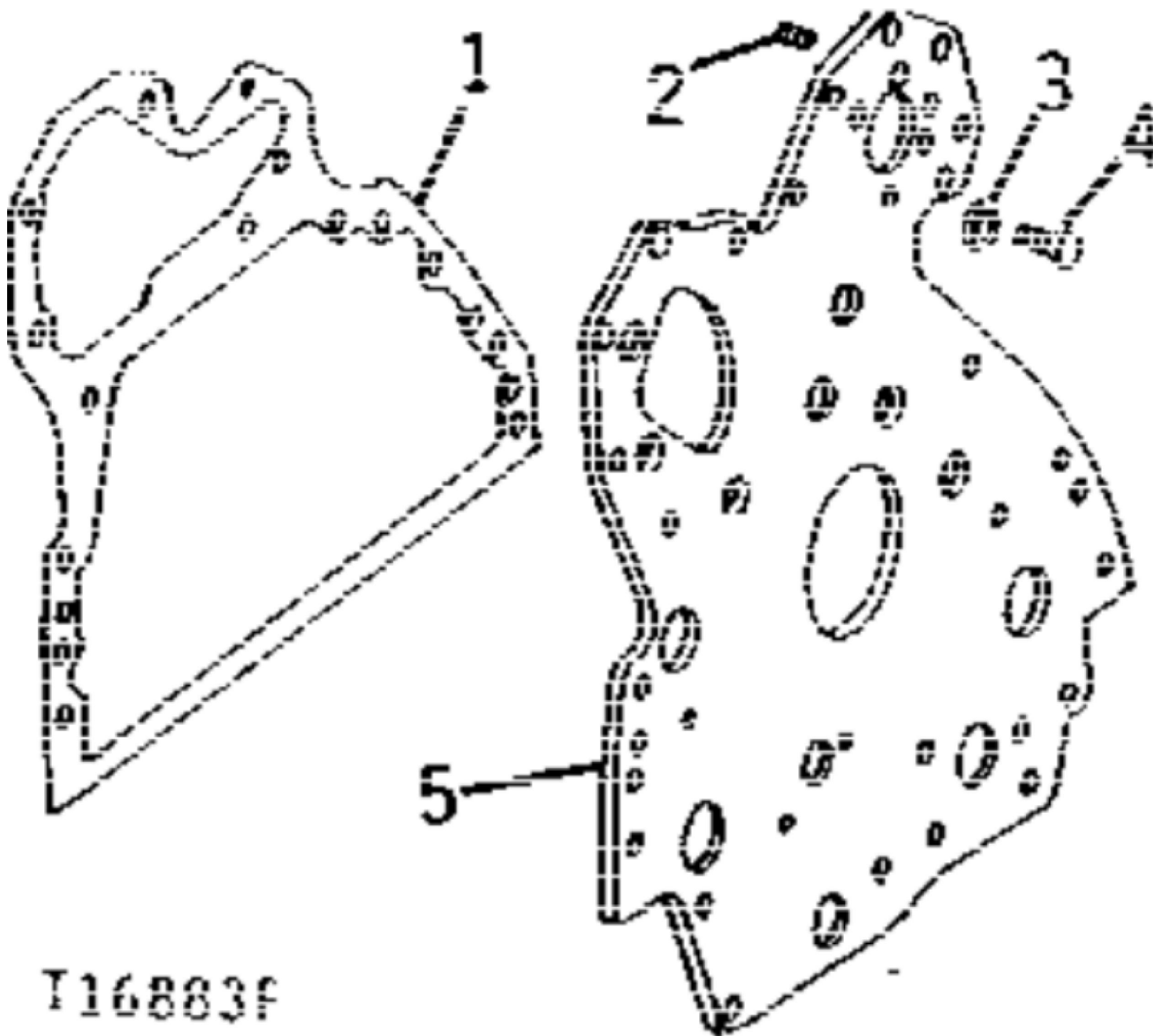


TP5389

KEY	PART NO.	PART NAME	QTY	Serial No.	REMARKS
1	RE61639	CYLINDER BLOCK	1		WITH DOWEL PINS, PIPE PLUG, MAIN BEARING CAPS, STUD, NIPPLE, OIL PRESSURE RELIEF VALVE BUSHINGS, WASHERS, CAP SCREWS AND BALANCE SHAFT BUSHINGS, (MARKED R122820)
2	R48685	DOWEL PIN	2		(SUB FOR R26241, THIS APPLICATION)
3	AT13740	DRAIN VALVE	1		(USED WITHOUT ENGINE COOLANT HEATER)
3	15H613	ELBOW FITTING	1		90° (USED WITH ENGINE COOLANT HEATER)
4	15H275	PIPE PLUG	1		1/4", (USED WITHOUT ENGINE COOLANT HEATER)
4	15H613	ELBOW FITTING	1		90° (USED WITH ENGINE COOLANT HEATER)
5	T25701	STUD	1		WATER PUMP
5	R122226	STUD	2		(SUB FOR R122226) TIMING GEAR
6	12H304	LOCK WASHER	3		3/8"
7	14H812	NUT	3		3/8"
8	T18891	PLUG	2		
9	R26493	BUSHING	1		
10	R26650	DOWEL PIN	2		
11	15H623	PIPE PLUG	1		3/8"
12	R48685	DOWEL PIN	2		(SUB FOR A120R)
13	R54802	ORIFICE	4	168639-_____	
14	R73139	FLOW CONTROL HYD. VALVE	1		(USE WITH BLOCK MARKED R72972)
15	R46625	SPRING	1		(USE WITH BLOCK MARKED R72972)
..	RE19855	SHORT BLOCK ASSEMBLY	1		COMPLETE WITH CYLINDER BLOCK ASSEMBLY, CRANKSHAFT, PISTONS, CONNECTING RODS, BALANCER SHAFT, CAMSHAFT, TAPPETS, SET SCREWS AND MISCELLANEOUS PARTS, (MARKED R122820)

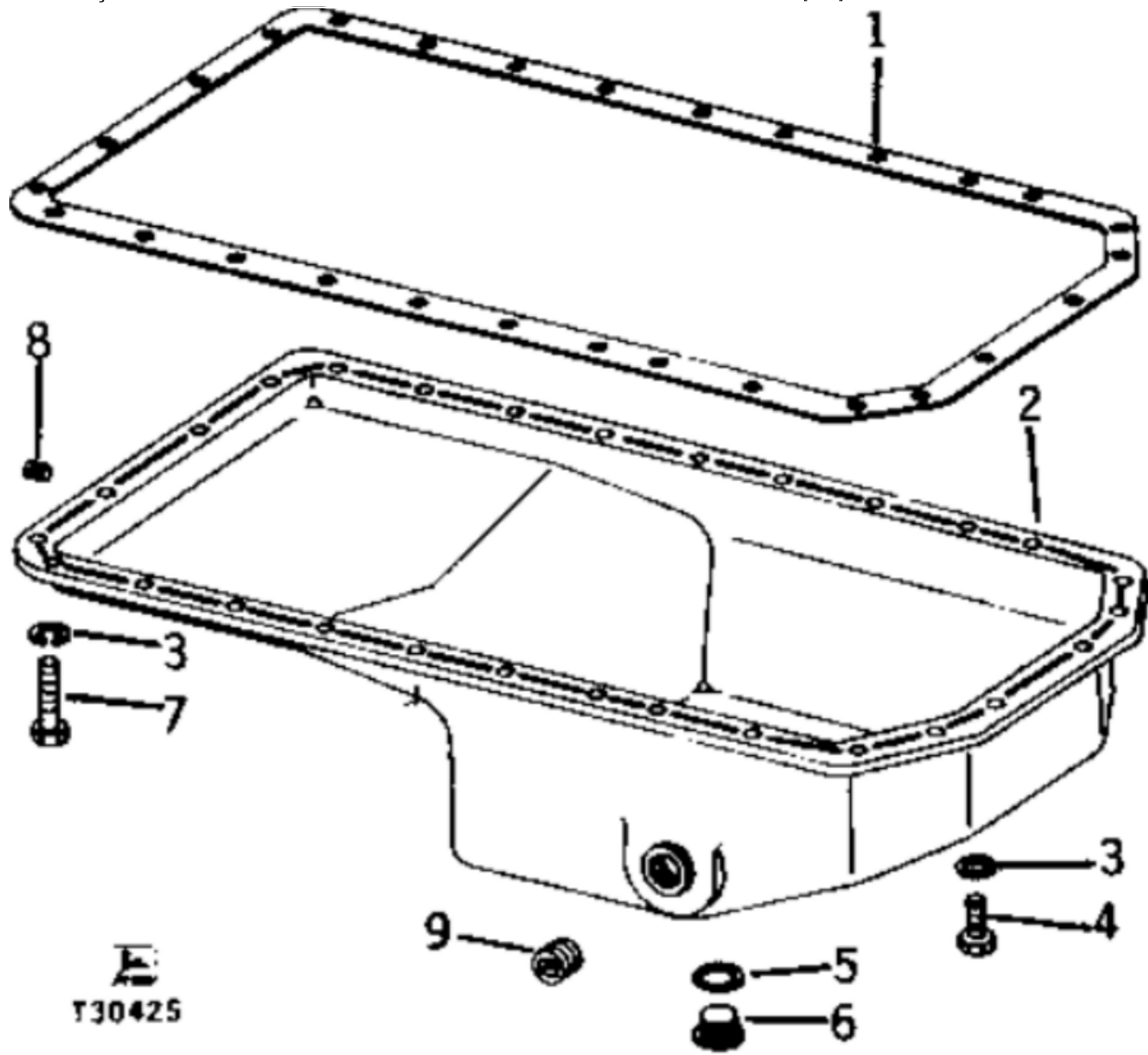



KEY	PART NO.	PART NAME	QTY	Engine Serial No.	REMARKS
1	.....	ENGINE OVERHAUL KIT	NA	____-187208	(ORDER COMPLETE ENGINE REBUILD GASKET KIT) (WITH PISTON MARKED AR78310 OR RE53265 - 1.19" PISTON PINS) (ORDER (4) AR71593 AND (8) R51112) (BASIC ENGINE OVERHAUL KIT-USE WITH 1.37"
1	RE527293	ENGINE OVERHAUL KIT	1	187209- ____	PISTON PINS) (ONLY FITS MACHINES ABOVE SERIAL NUMBER 187210) (SUB FOR AT86984) (MARKED AR55984, AR71610 OR AR77762)



T16883F

KEY	PART NO.	PART NAME	QTY	REMARKS	
1	R131794	GASKET	1	(SUB FOR R90648)	
2	AT21191	SET SCREW	AR		
2	AT22919	SET SCREW	2		
3	12H324	WASHER	5	3/8"	
4	T20166	SCREW	5	3/8" X 7/8"	
5	RE16149	PLATE	1	(SUB FOR T20295 AND R56736) (ALSO ORDER (8) AT21191 AND (2) AT22919)	



  
T30425

Thank you so much for reading.  
Please click the “Buy Now!”  
button below to download the  
complete manual.



After you pay.

You can download the most  
perfect and complete manual in  
the world immediately.

Our support email:

[ebooklibonline@outlook.com](mailto:ebooklibonline@outlook.com)