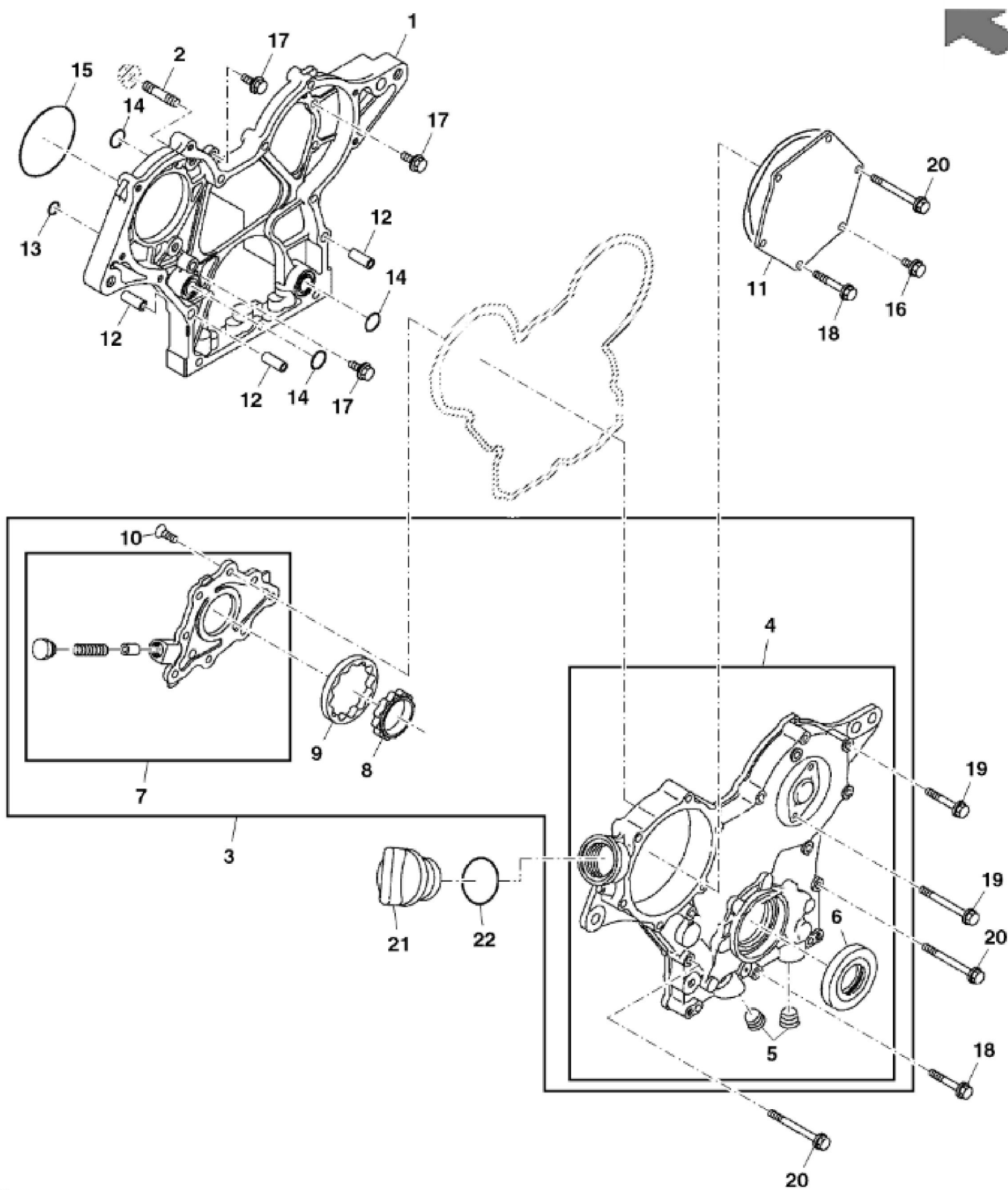


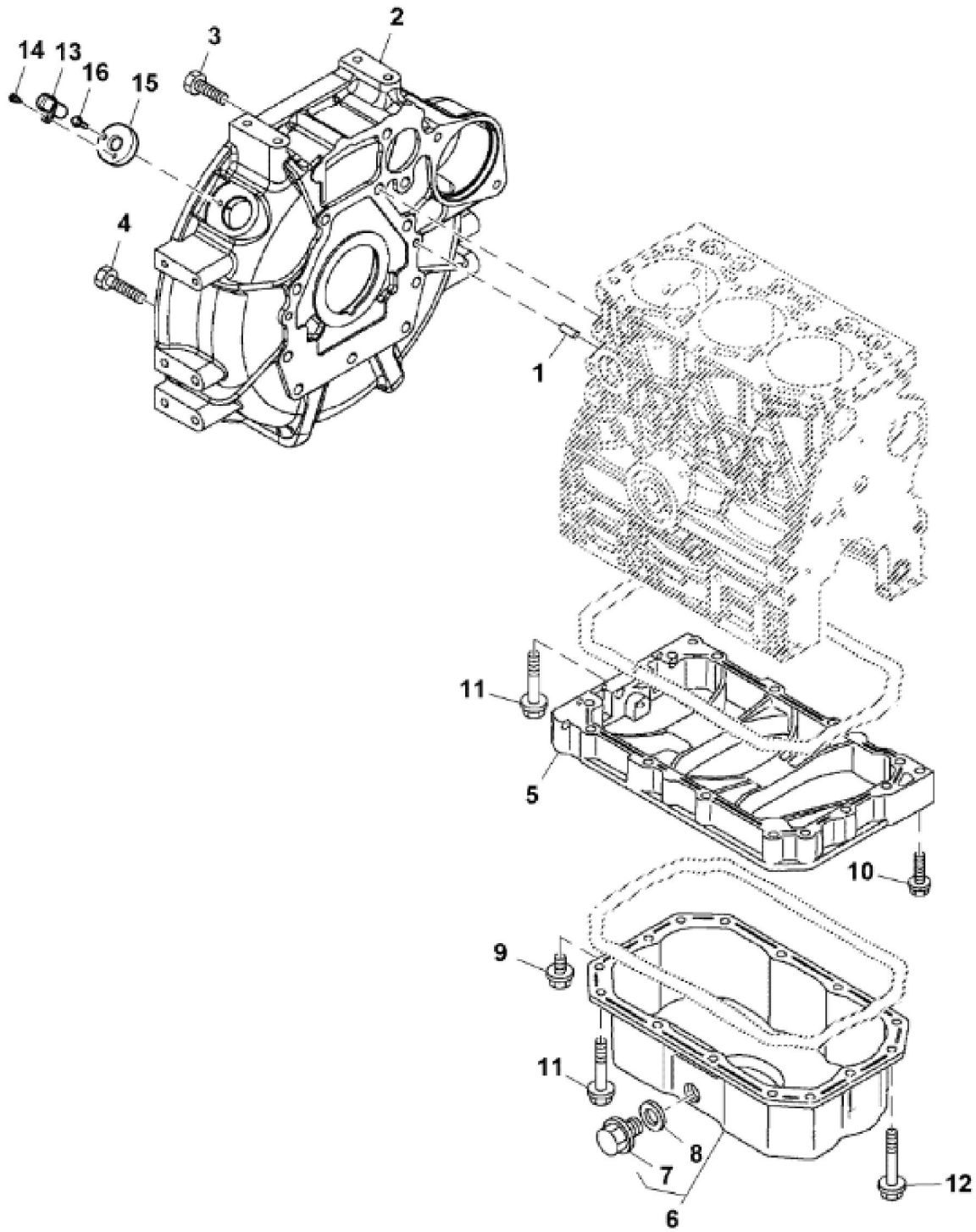
PU10700

BLOCK

KEY	PART NO.	PART NAME	QTY	REMARKS
1	MIA883232	CYLINDER BLOCK	1	
2	M811805	PLUG	4	
3	M809593	PLUG	1	
4	M811807	PLUG	3	
5	M87879	BOLT	8	
6	MIU800572	CAMSHAFT	1	
7	CH10314	PLUG	1	
8	CH10335	PLUG	1	
9	MIA880551	BEARING	4	
9	AM882418	BEARING	4	
10	AM882419	THRUST BEARING	2	
10	MIA880557	BEARING	2	
11	M87801	PLUG	1	
12	M800970	BOLT	14	
13	MIA882331	GASKET KIT	1	
14	MIA884539	SHORT BLOCK ASSEMBLY	1	(Not Illustrated) MARKED B-3TNV80F-J1

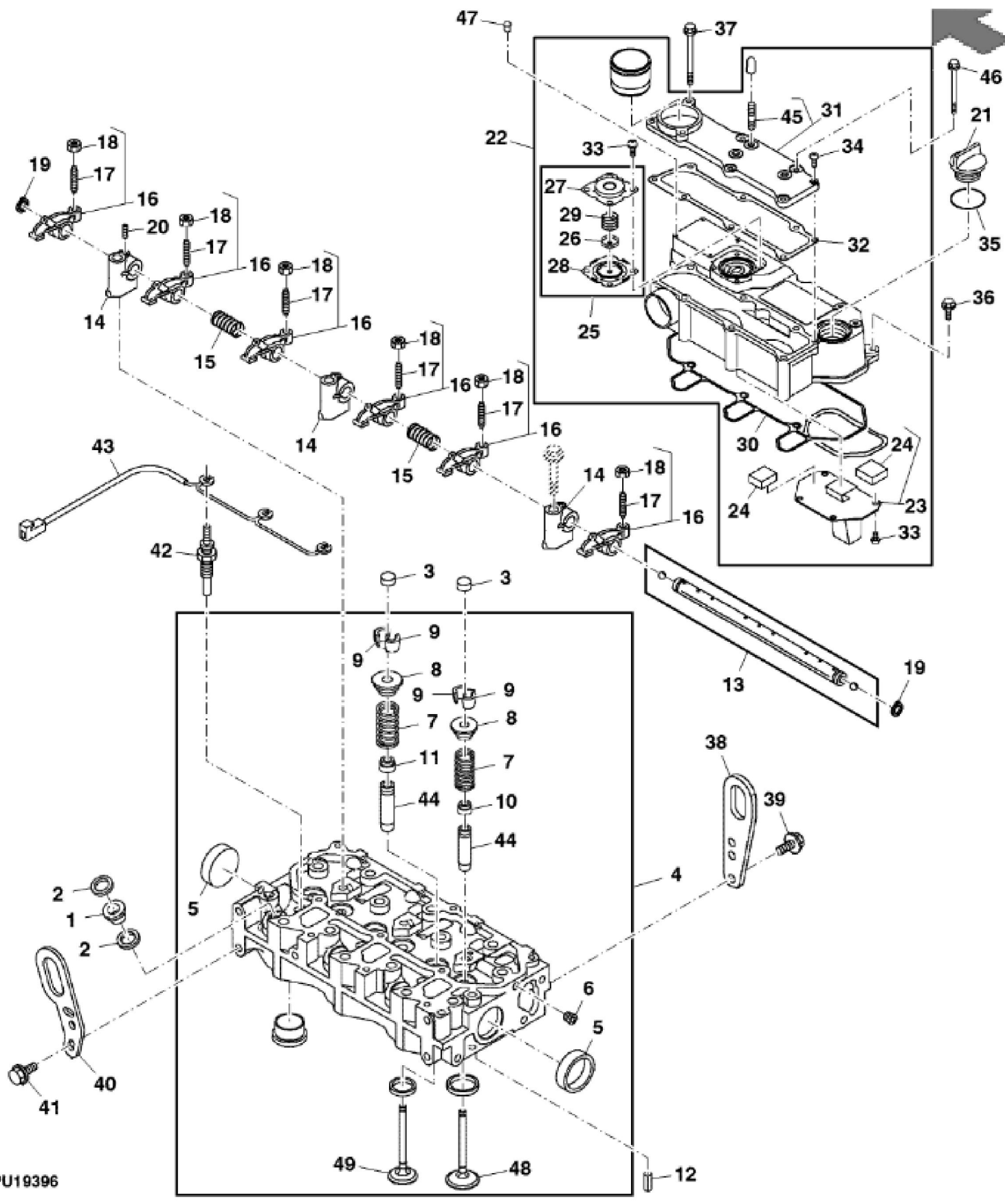


KEY	PART NO.	PART NAME	QTY	REMARKS
1	M811816	GEAR CASE	1	
2	M811820	STUD	3	
3	AM882445	COVER	1	
4	AM882469	COVER	1	
5	M806938	PLUG	2	
6	M811563	SEAL	1	Oil
7	AM882435	COVER	1	Lubricating Oil Pump
8	M811888	ROTOR	1	Inner
9	M811889	ROTOR	1	Outer
10	M811061	SCREW	8	
11	M811823	COVER	1	
12	M800006	DOWEL PIN	4	
13	M809204	O-RING	1	
14	M811885	O-RING	3	
15	CH16940	O-RING	1	
16	19M7774	SCREW	1	M6 X 12
17	19M7775	SCREW	4	M6 X 16
18	19M7797	SCREW	3	M6 X 40
19	M89120	BOLT	7	
20	M800065	BOLT	2	
21	M805710	CAP	1	
22	M805711	PACKING	1	



HOUSING AND OIL SUMP

KEY	PART NO.	PART NAME	QTY	REMARKS	
1	M802255	PIN	2		
2	MIU803461	FLYWHEEL	1		
3	M800077	BOLT	8		
4	M801201	BOLT	3		
5	M811822	INTERMEDIATE HOUSING	1		
6	MIA880257	RESERVOIR	1		
7	T111565	PLUG	1		
8	M811568	WASHER	1		
9	19M7864	SCREW	1	M8 X 12	
10	19M7868	SCREW	1	M8 X 30	
11	CH19101	BOLT	11		
12	19M7800	SCREW	3	M8 X 50	
13	MIU802138	SENSOR	1		
14	19M8618	SCREW	1	M6 X 12	
15	TCU34127	SPACER	1		
16	19M7863	SCREW	1	M6 X 25	



PU19396

Thank you so much for reading.
Please click the “Buy Now!”
button below to download the
complete manual.



After you pay.

You can download the most
perfect and complete manual in
the world immediately.

Our support email:

ebooklibonline@outlook.com