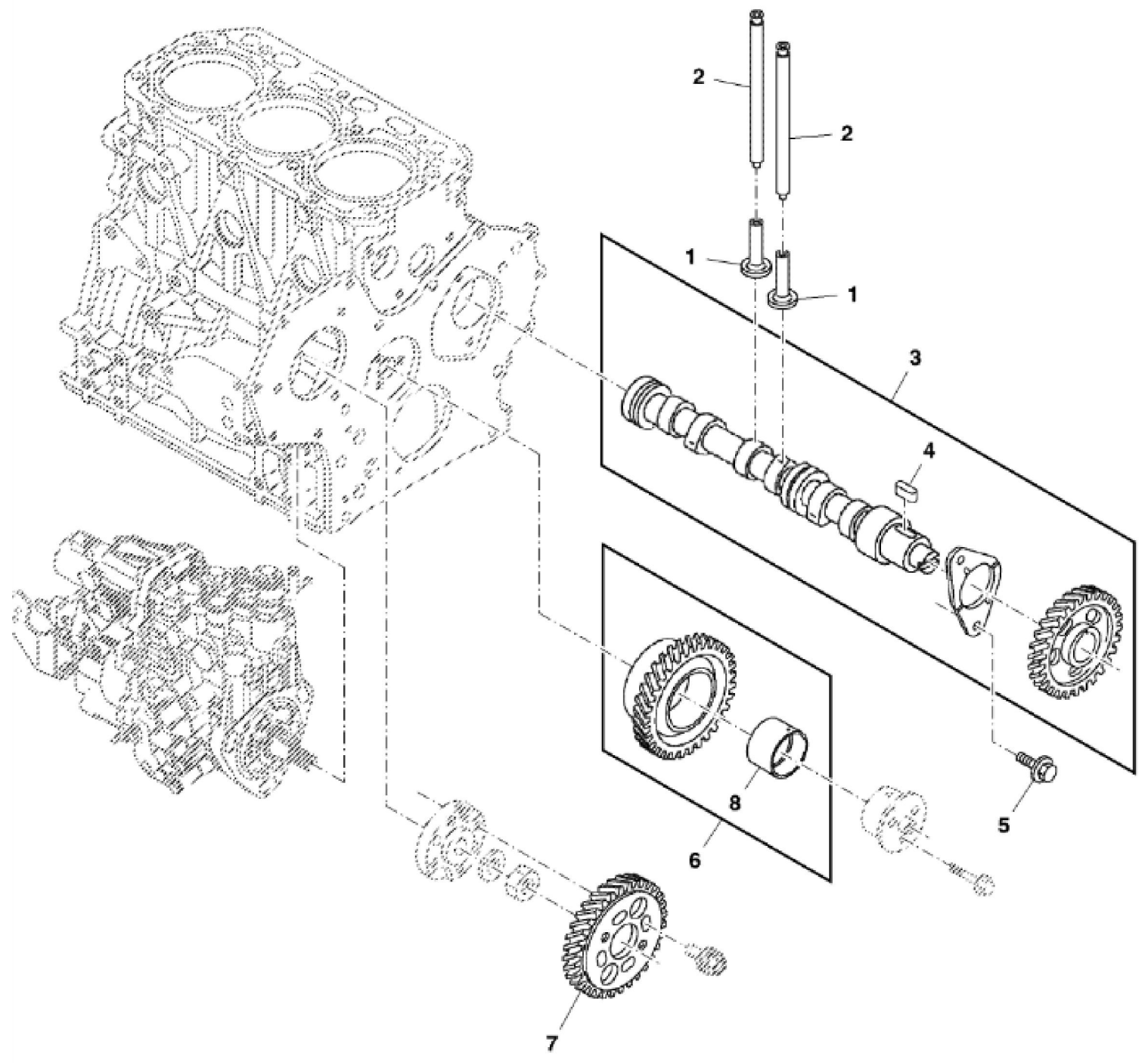


PU10701

## BLOCK

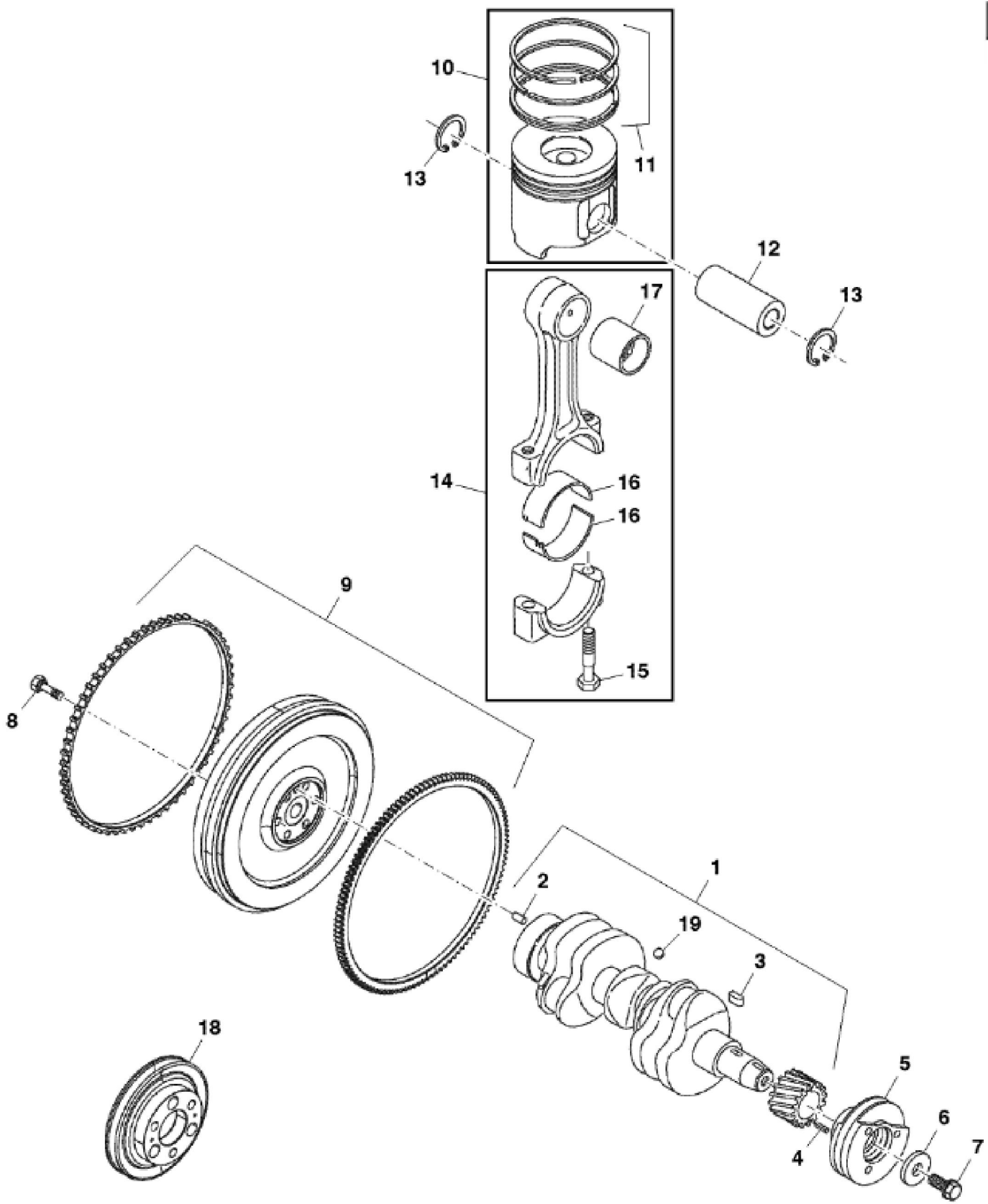
KEY	PART NO.	PART NAME	QTY	REMARKS	
1	MIA880914	CYLINDER BLOCK	1		
2	CH10314	PLUG	1		
3	M809565	DRAIN PLUG	1		
4	CH10335	PLUG	3		
5	M801189	BOLT	8		
6	MIU800573	BUSHING	1		
7	M87801	PLUG	2		
8	30M7023	PLUG	6		
9	M802255	PIN	4		
10	M800974	PIPE	2		
11	MIA880555	BEARING	2		
11	MIA882809	BEARING KIT	2		
12	MIU800797	SHAFT	1		
13	T110724	CHECK VALVE	3	INCLUDES (3) T111560 AND M811591	
13	T111560	RING	3		
13	M811591	BALL	1		
14	MIA880554	BEARING	4		
14	MIA880550	BEARING	4		
15	T110725	NOZZLE	3		
16	CH15575	PIN	3		
17	CH18079	SPRING PIN	2		
18	M801186	BOLT	14		
19	M806440	ENGINE CYLINDER HEAD GASKET	1		
20	15H562	PIPE PLUG	1	1"	



PU10737

John Deere > Turf And Utility > MOWER, FAIRWAY > 7500A - MOWER, FAIRWAY > 7500A PrecisionCut Fairway Mower > 20 ENGINE, 3TNV84T-BMJFW, NON TIER 4 TCM11889 > ST776792 - CAMSHAFT AND DRIVING GEAR

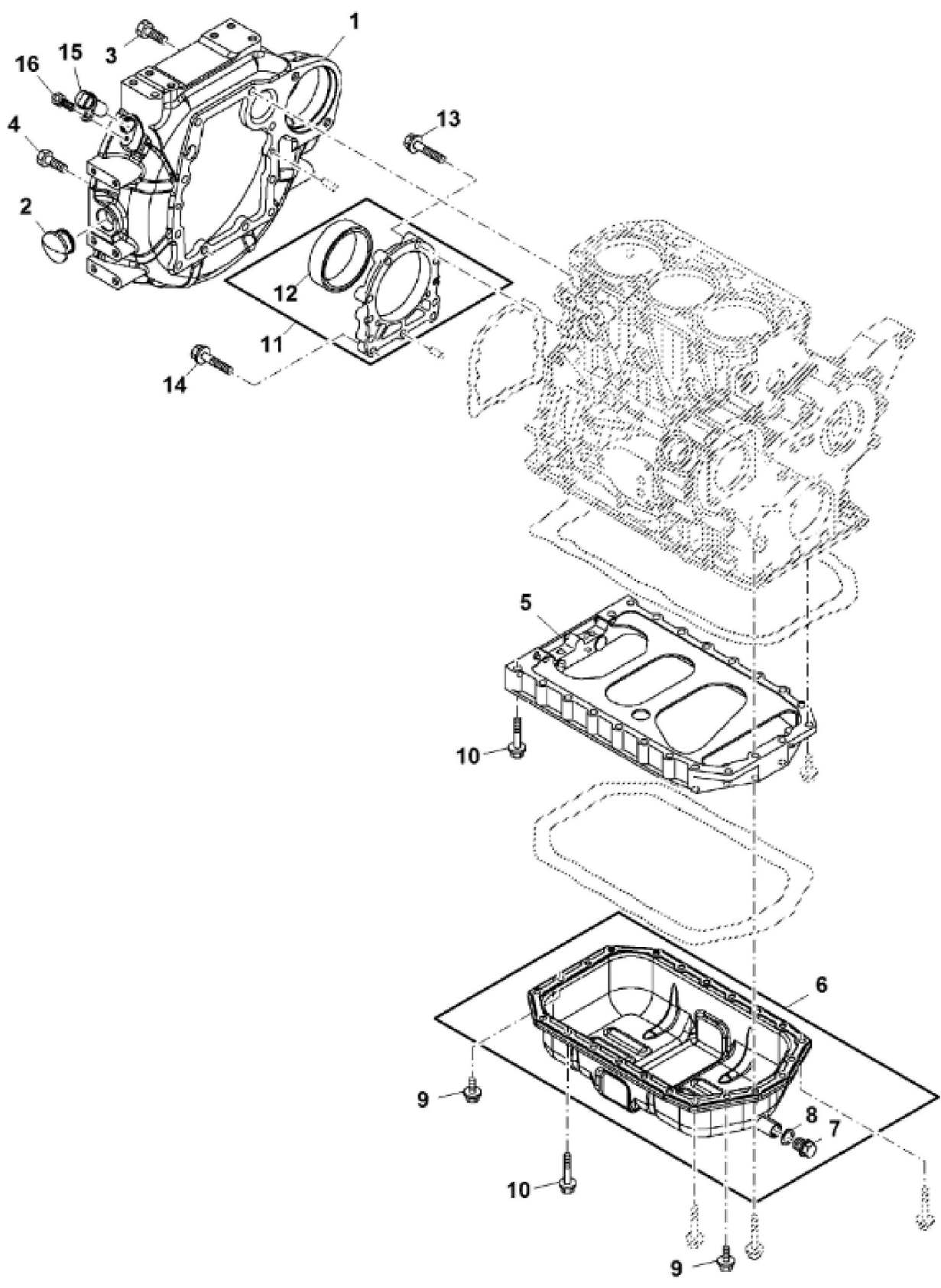
KEY	PART NO.	PART NAME	QTY	REMARKS	
1	M801046	CAM FOLLOWER	6		
2	M801238	PUSH ROD	6		
3	AM876430	CAMSHAFT	1		
4	M801045	SHAFT KEY	1		
5	CH19780	BOLT	2		
6	MIA880571	IDLER GEAR	1		
7	M811057	GEAR	1		
8	MIU800595	BUSHING	1		



PU10739

John Deere > Turf And Utility > MOWER, FAIRWAY > 7500A - MOWER, FAIRWAY > 7500A PrecisionCut Fairway Mower > 20 ENGINE, 3TNV84T-BMJFW, NON TIER 4 TCM11889 > ST776728 - CRANKSHAFT AND PISTON

KEY	PART NO.	PART NAME	QTY	REMARKS
1	MIA880874	CRANKSHAFT	1	
2	M802255	PIN	1	
3	M801045	SHAFT KEY	1	
4	CH15575	PIN	1	
5	M811430	PULLEY	1	
6	M801055	WASHER	1	
7	CH16798	BOLT	1	
8	CH19291	BOLT	6	
9	MIA883120	FLYWHEEL KIT	1	
10	AM882592	PISTON	3	
10	AM882594	PISTON	3	0.25 OS
10	AM881939	PISTON	1	USE WITH MIA882688
11	AM882593	PISTON	3	
11	AM882595	PISTON RING KIT	3	0.25 OS
11	AM881940	PISTON RING KIT	1	USE WITH MIA882688
12	M806456	PISTON PIN	3	
13	M806457	CLIP	6	
14	AM875391	CONNECTING ROD	3	
15	CH15483	BOLT	6	
16	MIA880563	BEARING	3	
16	MIA880568	BEARING	3	0.25 OS
17	M801256	BEARING	3	
18	MIU803358	PULLEY	1	PTO Shaft
19	400R	BALL	3	



TC279382AR1

Thank you so much for reading.  
Please click the “Buy Now!”  
button below to download the  
complete manual.



After you pay.

You can download the most  
perfect and complete manual in  
the world immediately.

Our support email:

[ebooklibonline@outlook.com](mailto:ebooklibonline@outlook.com)