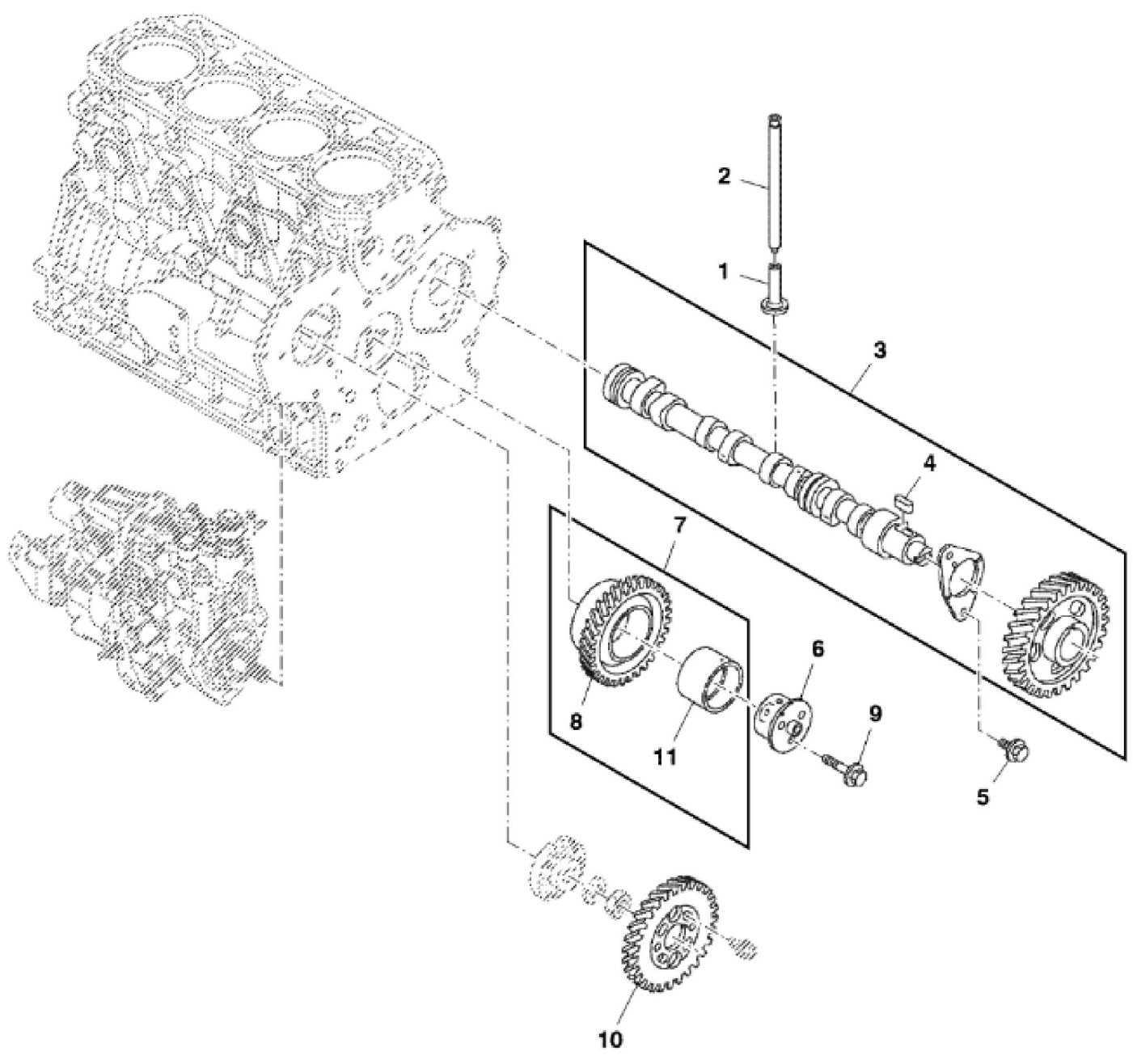


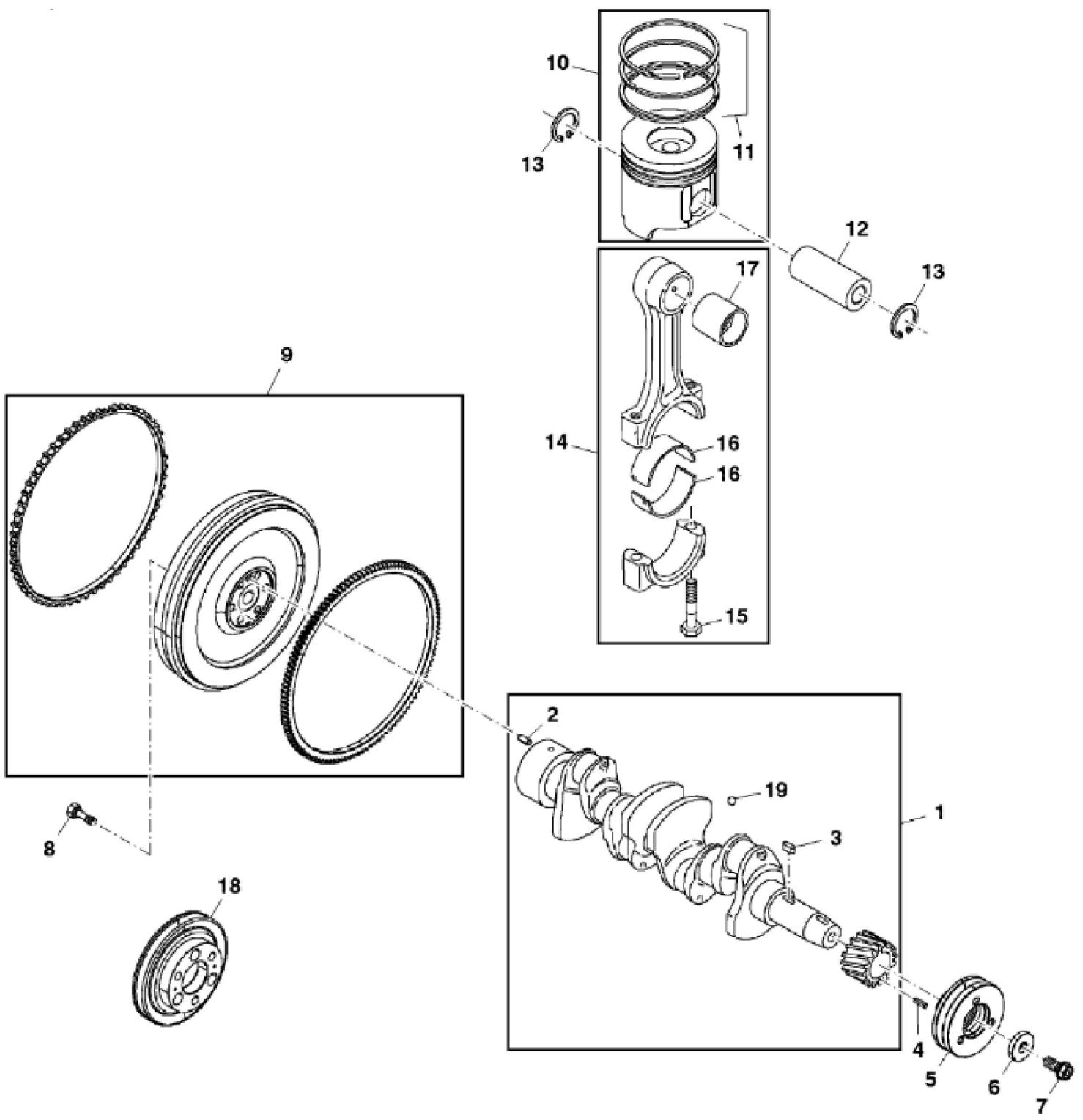
KEY	PART NO.	PART NAME	QTY	REMARKS	
1	MIA883080	CYLINDER BLOCK	1		
2	M809565	DRAIN PLUG	1		
3	M801189	BOLT	10		
4	MIU800573	BUSHING	1		
5	CH10314	PLUG	1		
6	CH10335	PLUG	3		
7	M87801	PLUG	2		
8	MIA880555	BEARING	2		
8	MIA882809	BEARING KIT	1	Over Sized = 0.25	
9	M801186	BOLT	18		
10	MIU800384	GASKET	1		
11	MIA880554	BEARING	5		
11	MIA880550	BEARING	5	Under Sized = 0.25	
12	30M7023	PLUG	8		



PU10757

John Deere > Turf And Utility > MOWER, FAIRWAY > 8800A - MOWER, FAIRWAY > 8800A TerrainCut Rough Mower > 20 ENGINE, 4TNV84T-BMJF, NON TIER 4 TCM11890 > ST776941 - CAMSHAFT AND DRIVING GEAR

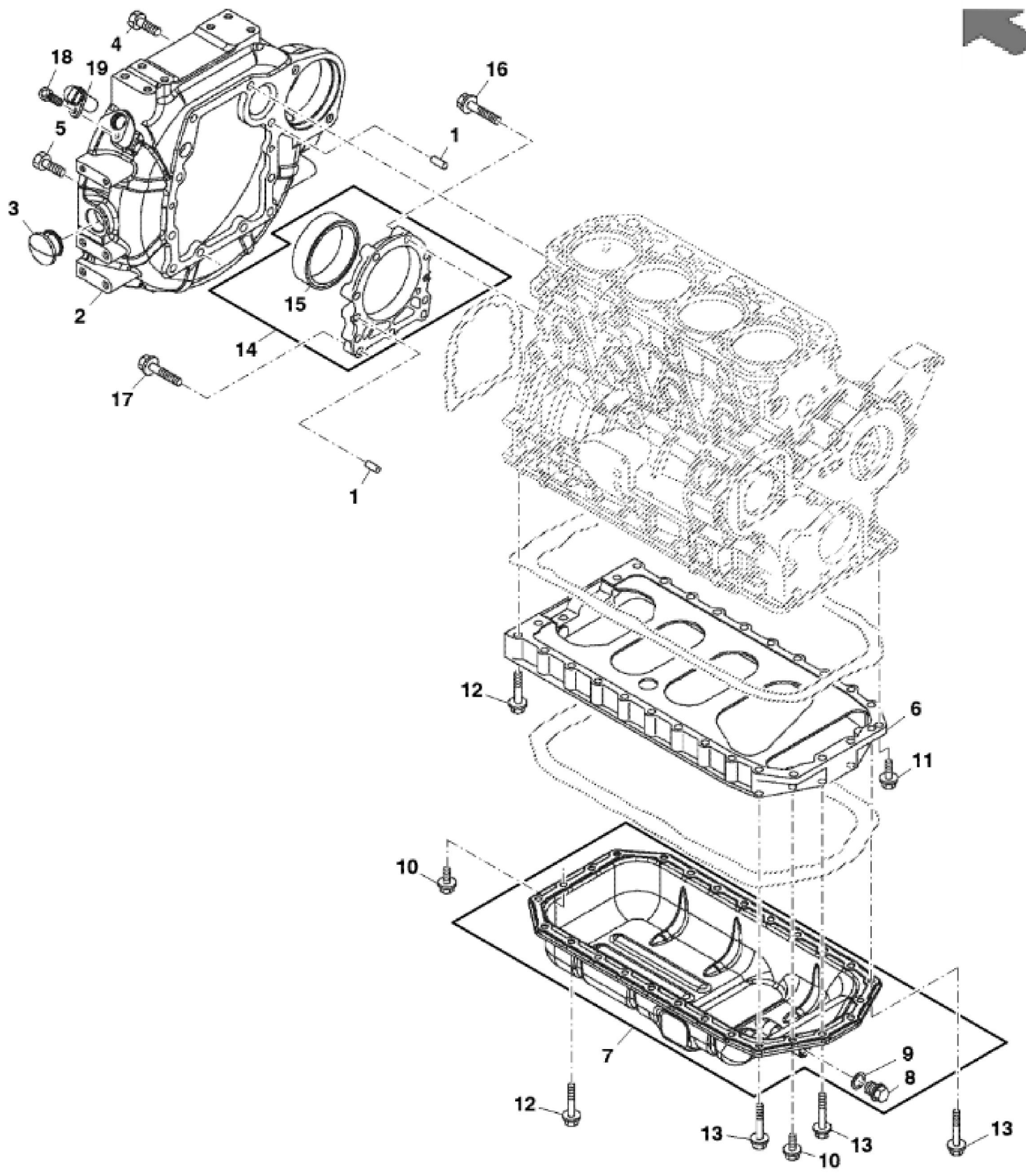
KEY	PART NO.	PART NAME	QTY	REMARKS
1	M801046	CAM FOLLOWER	8	
2	M801238	PUSH ROD	8	
3	MIA880352	CAMSHAFT	1	
4	M801045	SHAFT KEY	1	
5	CH19780	BOLT	2	
6	MIU800797	SHAFT	1	
7	MIA880571	IDLER GEAR	1	
8	M811054	GEAR	1	
9	19M8317	SCREW	3	M8 X 40
10	M811057	GEAR	1	
11	MIU800595	GEAR	1	



PU12740

John Deere > Turf And Utility >MOWER, FAIRWAY >8800A - MOWER, FAIRWAY >8800A TerrainCut Rough Mower >20 ENGINE, 4TNV84T-BMJF, NON TIER 4 TCM11890 >ST777218 - CRANKSHAFT AND PISTON

KEY	PART NO.	PART NAME	QTY	REMARKS
1	MIA881723	CRANKSHAFT	1	
2	M802255	PIN	1	
3	M801045	SHAFT KEY	1	
4	CH15575	PIN	1	
5	M811533	PULLEY	1	
6	M801055	WASHER	1	
7	CH16798	BOLT	1	
8	CH19291	BOLT	6	
9	MIA883140	FLYWHEEL KIT	1	
10	MIA880354	PISTON	4	
10	MIA880355	PISTON	4	Over Sized = 0.25
11	AM881938	PISTON RING KIT	4	
11	AM881940	PISTON RING KIT	4	Over Sized = 0.25
12	M806456	PISTON PIN	4	
13	M806457	CLIP	8	
14	AM875391	CONNECTING ROD	4	
15	CH15483	BOLT	8	
16	MIA880563	BEARING	4	
16	MIA880568	BEARING	4	Under Sized = 0.25
17	M801256	BEARING	4	
18	MIU803358	PULLEY	1	
19	400R	BALL	4	



PU17031

Thank you so much for reading.
Please click the “Buy Now!”
button below to download the
complete manual.



After you pay.

You can download the most
perfect and complete manual in
the world immediately.

Our support email:

ebooklibonline@outlook.com