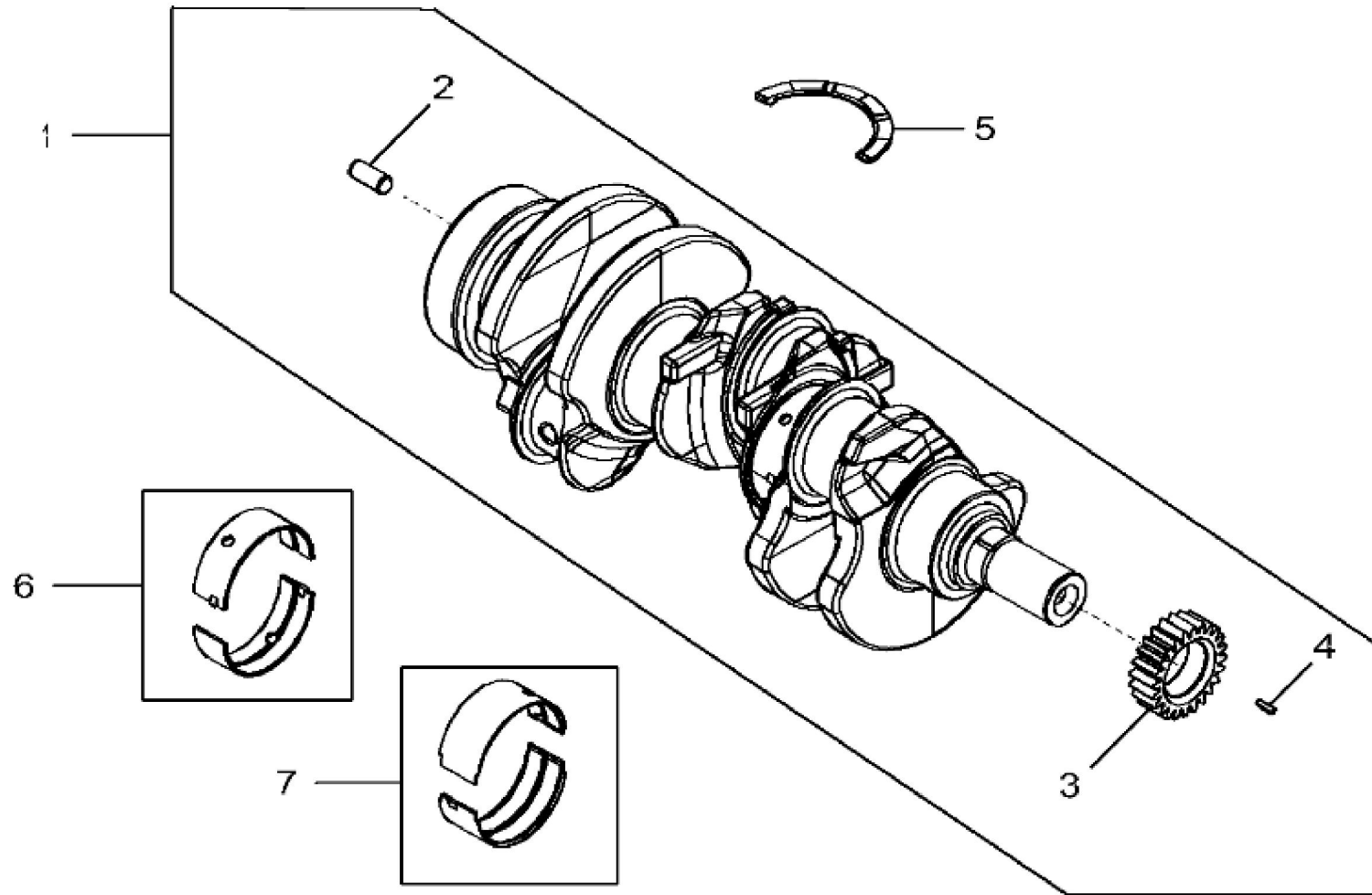


3029TPY21-RE530144 >ST698352 - 4637 CYLINDER BLOCK

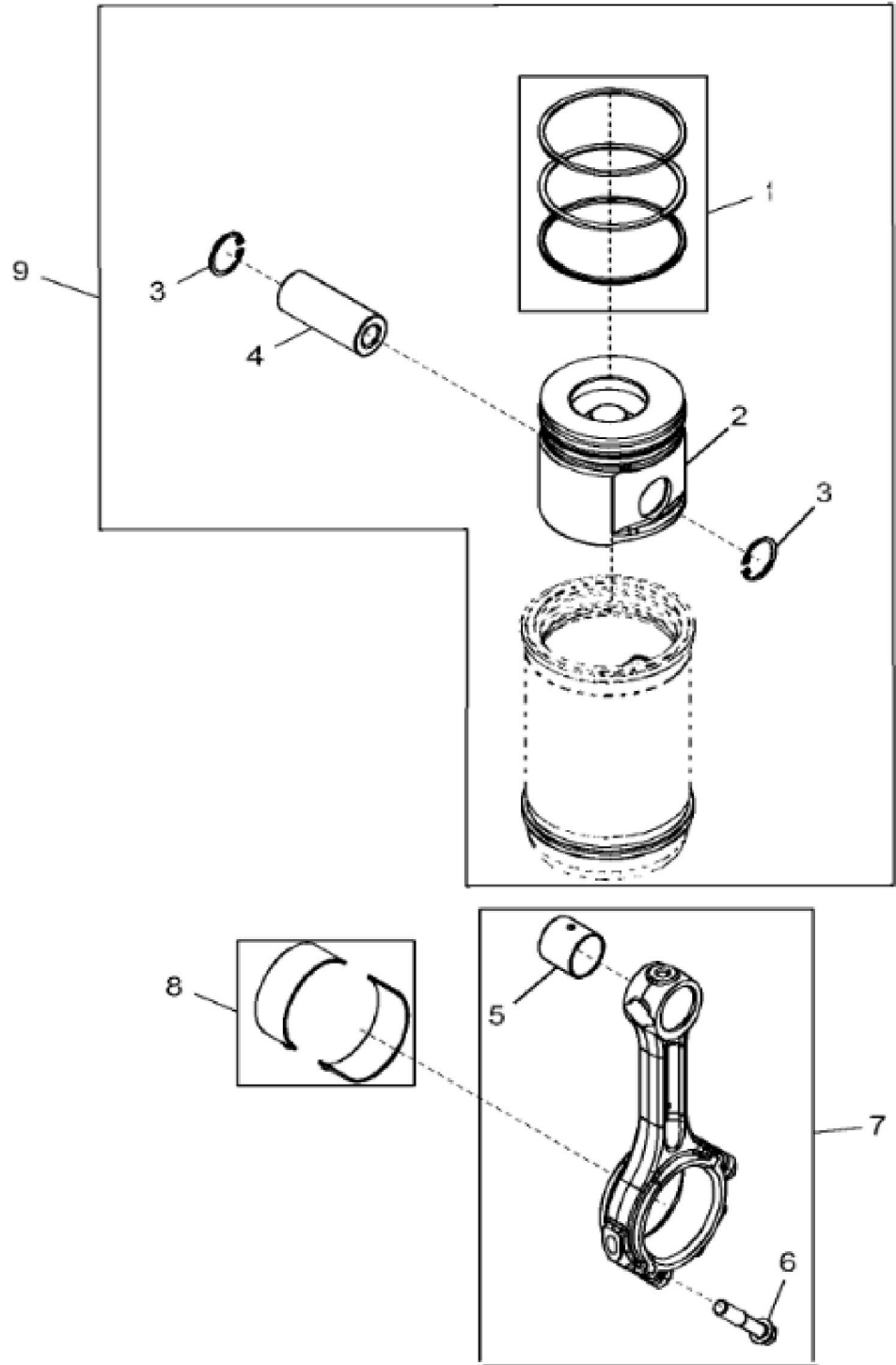
KEY	PART NO.	PART NAME	QTY	REMARKS
1	R516126	PACKING	3	
2	R26121	O-RING	3	
3	R515466	O-RING	3	
4	R26493	BUSHING	1	
5	15H623	PIPE PLUG	1	3/8"
6	15H653	PIPE PLUG	1	1"
7	15H685	PIPE PLUG	1	1/4"
8	R121043	VALVE	1	
9	T20072	PLATE	1	
10	19H2676	CAP SCREW	2	3/8" X 1"
11	RE504451	CAMSHAFT	1	
12	26H72	SHAFT KEY	1	1/8" X 5/8"
13	R119874	BUSHING	1	
14	T18891	PLUG	2	
15	R97185	O-RING	1	
16	R26650	DOWEL PIN	2	
17	R65215	BEARING CAP	3	
18	R79089	CAP	1	
19	T20168	WASHER	8	
20	R528387	CAP SCREW	8	SUB FOR T23474
21	T23435	THREADED NIPPLE	1	
22	RE71255	PIPE PLUG	2	
23	R48685	DOWEL PIN	4	
24	R54802	ORIFICE	3	
25	15H237	PIPE PLUG	1	1/2"
26	RE507807	PIPE PLUG	1	
27	D2361R	BALL	1	
28	CYLINDER BLOCK	1	MARKED R130874; ORDER RE538002
29	RE63674	VALVE	1	
30	R111137	SPRING	1	
31	RE525162	O-RING KIT	1	



4713_RE507623_PCD

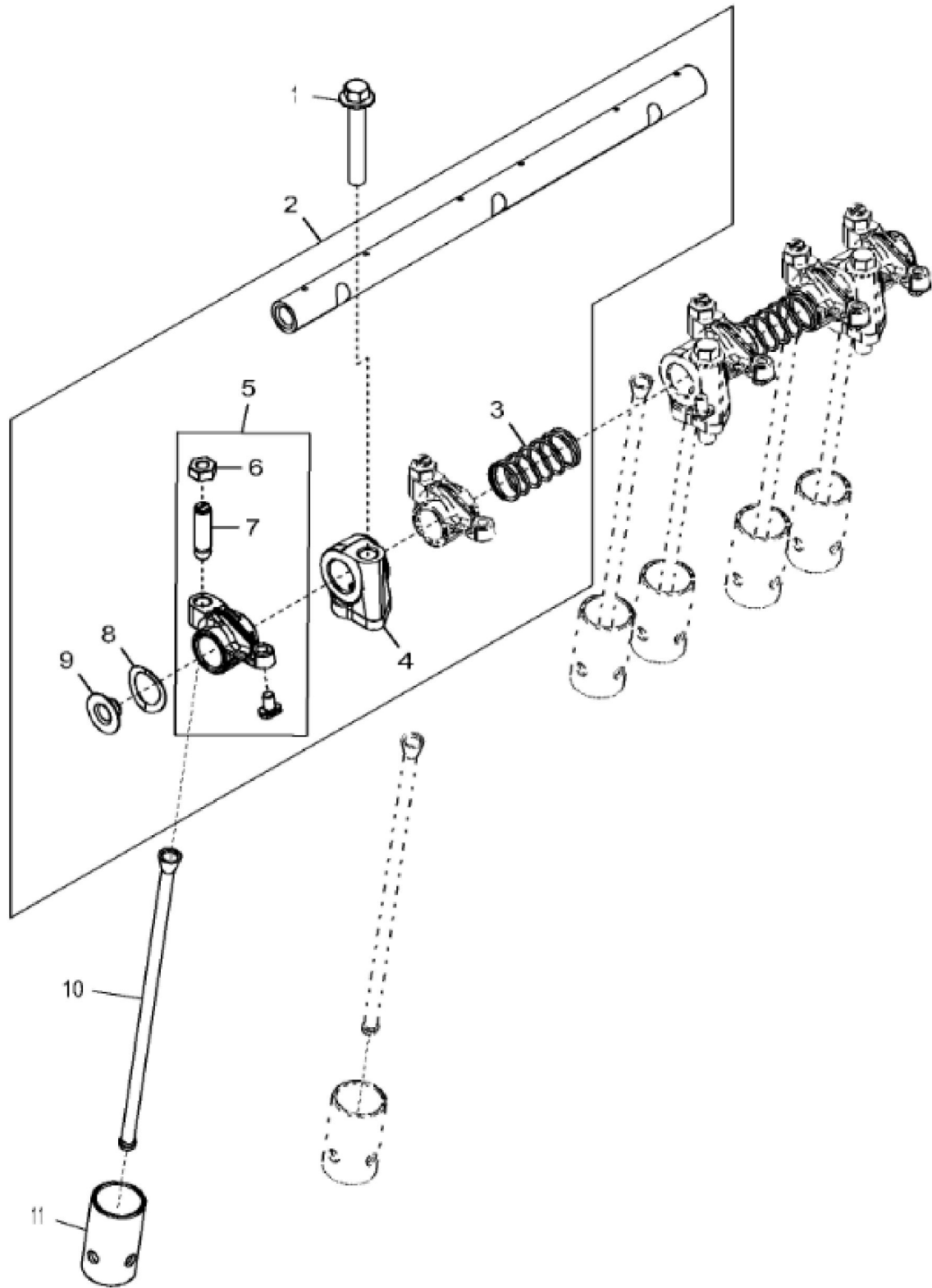
3029TPY21-RE530144 >ST451020 - 4713 CRANKSHAFT AND BEARINGS

KEY	PART NO.	PART NAME	QTY	REMARKS
1	RE521348	CRANKSHAFT	1	(With Bearings) SUB FOR RE50979; KIT
1	SE501652	CRANKSHAFT REMAN	1	(With Bearings) (With Spur Timing Gears) REMAN FOR RE521348
1	SE501653	CRANKSHAFT REMAN	1	(With Bearings) (With Helical Timing Gears) REMAN FOR RE521348
1	RE502385	CRANKSHAFT	1	(For India Market Only) MARKED R542963
2	A120R	DOWEL PIN	1	
3	R538912	GEAR	1	SUB FOR R100850 OR R504262
4	26H72	SHAFT KEY	1	1/8" X 5/8"
5	R516362	THRUST WASHER	3	
6	AT21140	BEARING	3	
7	RE57279	BEARING KIT	1	



3029TPY21-RE530144 > ST614115 - 4831 CONNECTING RODS AND PISTONS

KEY	PART NO.	PART NAME	QTY	REMARKS	
1	RE521814	PISTON RING KIT	3		
2	RE520573	PISTON	3		
3	40M1856	SNAP RING	6		
4	R130145	PISTON PIN	3		
5	R504300	BUSHING	3		
6	R80033	CAP SCREW	6	SUB FOR R516517	
7	RE507799	CONNECTING ROD	3		
8	RE27348	BEARING KIT	3		
9	RE520768	PISTON-LINER KIT	3		
10	R502260	CYLINDER LINER	3		
11	RE525162	O-RING KIT	3		



Thank you so much for reading.
Please click the “Buy Now!”
button below to download the
complete manual.



After you pay.

You can download the most
perfect and complete manual in
the world immediately.

Our support email:

ebooklibonline@outlook.com