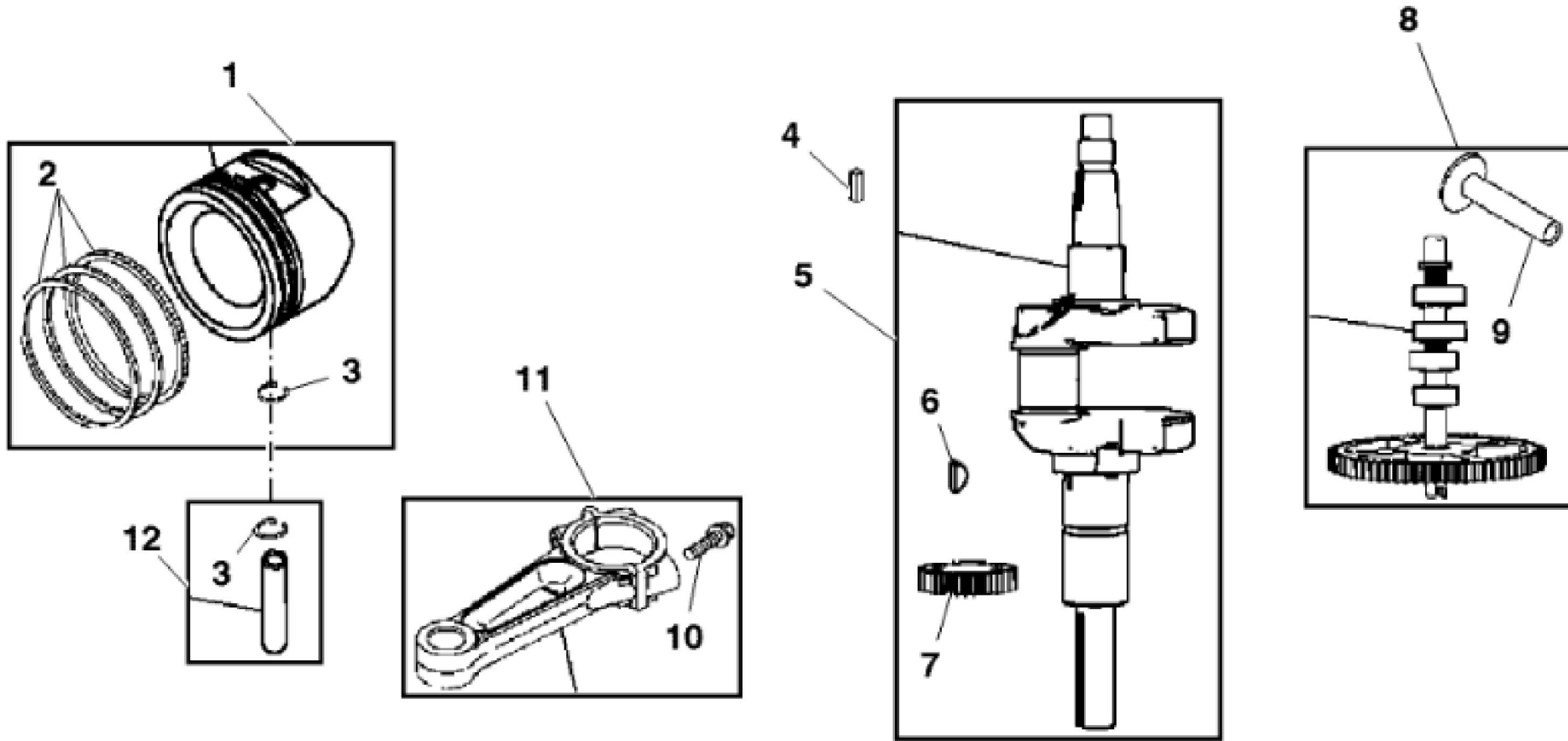


PU05786

KEY	PART NO.	PART NAME	QTY	Serial No.	REMARKS	
1	MIA12373	GASOLINE ENGINE	1		MARKED 401577-0134-B1; ORDER MIA12609	
1	MIA12851	GASOLINE ENGINE	1	100001-700000	MARKED 40R577-0011-H1; ORDER MIA13103; SUB FOR MIA12609	
1	MIA13103	GASOLINE ENGINE	1	700001-800000	MARKED 40R577-0014-H1; ORDER AUC10153	
1	AUC10153	GASOLINE ENGINE	1	800001-_____	MARKED 40R577-0016-H1	

KEY	PART NO.	PART NAME	QTY	Serial No.	REMARKS
1	UC11104	DIPSTICK	1		SUB FOR LG499602
2	LG691036	DIPSTICK	1		
3	LG691031	O-RING	1		
4	LG691037	OIL TUBE	1		
5	LG691032	O-RING	1		
6	M153266	SCREW	1		
7	MIA12493	CYLINDER	1		ORDER MIA13087; ALSO ORDER MIA13077, MIU14443, MIU14444, MIU14445, MIU14464 AND MIU14448
7	MIA13087	CYLINDER	1	____-700000	USE WITH MIA12373 OR MIA12851; INCLUDES (6) LG690959
7	MIA13208	CYLINDER	1	700001-____	USE WITH MIA13103 OR AUC10153
8	MIA11778	SEAL KIT	1		
9	LG391086S	SEAL	1		
10	LG690959	DOWEL PIN	6		
11	LG691108	SCREW	3		
12	MIA10872	BREATHER	1		
13	MIU14443	TUBE	1		SUB FOR MIU11280
14	LG690937	GASKET	1		
15	LG690957	RETAINER	1		USE WITH MIA12851
16	MIU11502	BREATHER	1		
17	AM125424	OIL FILTER	1		
18	T77932	O-RING	1		
19	M144897	CAP	1		
20	AM131611	KIT	1		Oil Drain
21	M142896	SCREW	10		
22	MIA11584	RESERVOIR	1	____-700000	INCLUDES LG692125, MIA11464 AND MIU12143
22	MIA13209	RESERVOIR	1	700001-____	USE WITH MIA13103 OR AUC10153
23	GX24210	SCREW	4		Engine Mounting
24	MIU11958	SEAL	1		Oil
25	15H638	PIPE PLUG	1		1/8"
26	LG690954	THREADED NIPPLE	1		
27	MIU14436	GASKET	1		SUB FOR MIU13979
28	LG690946	DRAIN PLUG	1		9.525 mm, ORDER 15H623
28	15H623	DRAIN PLUG	1		3/8"

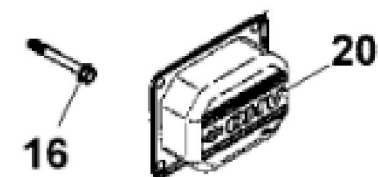
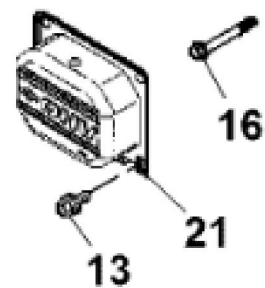
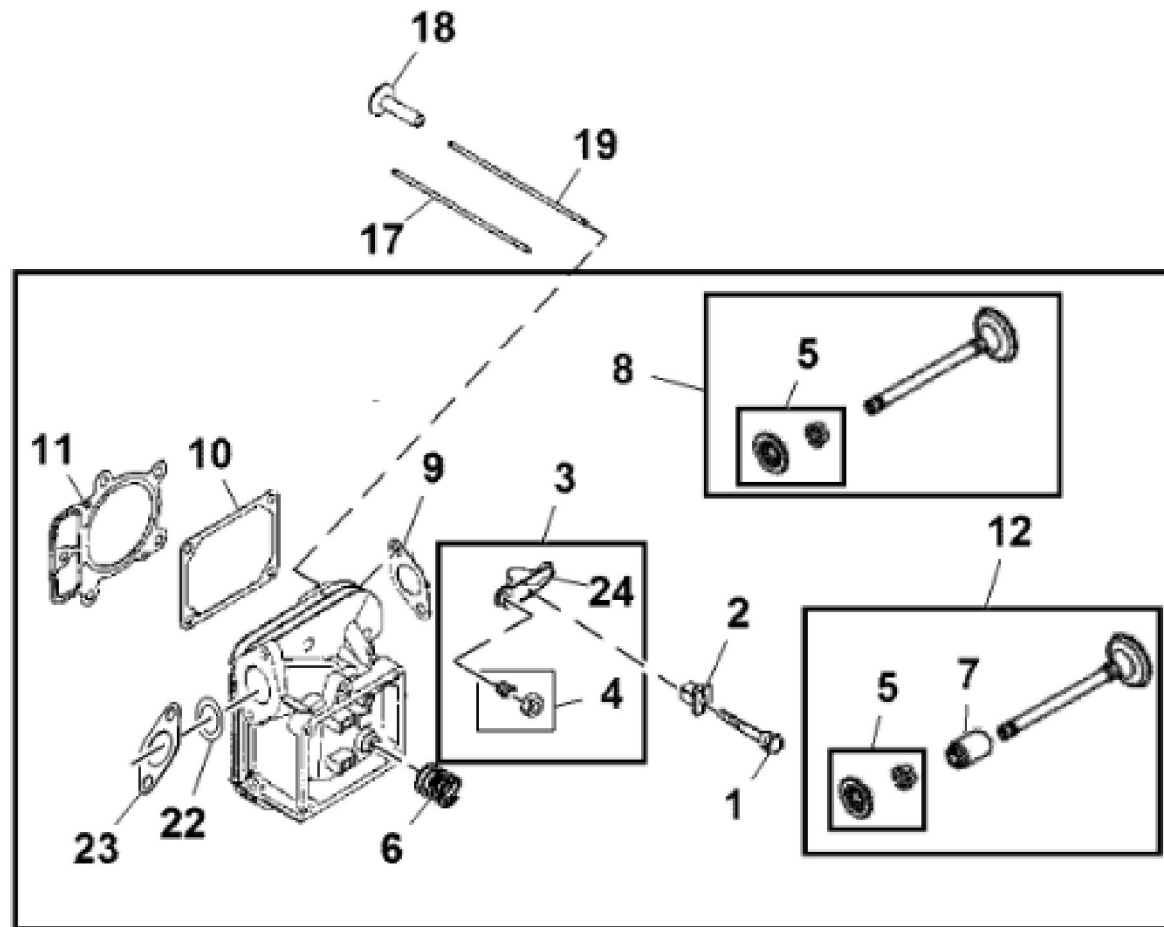
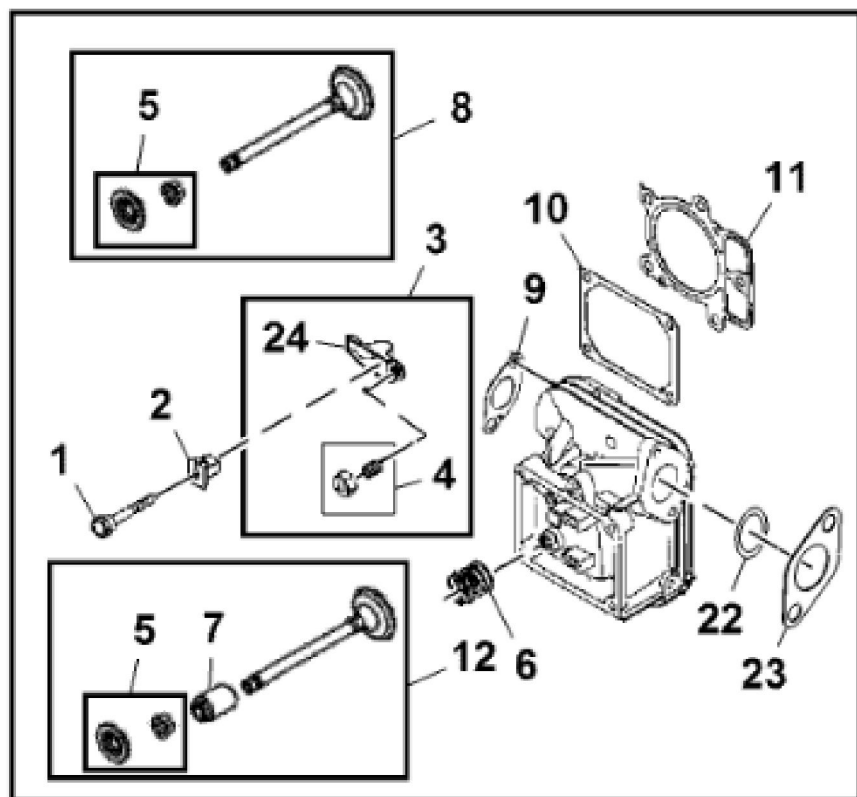
KEY	PART NO.	PART NAME	QTY	Serial No.	REMARKS
29	MIU12153	SEAL	1		
30	MIA11464	COVER	1		
31	MIU12142	SCREW	3		
32	MIU12143	OIL PUMP	1		
33	MIU12140	SCREEN	1		
34	MIU11284	SEAL	1		Governor Shaft
35	MIU12503	BUSHING	1		
36	M142280	WASHER	1		
37	M142286	RETAINER	2		
38	M142282	BUSHING	2		
39	LG691045	CRANK	1		Governor
40	MIA13077	PLATE	1		
41	MIU14444	COVER	1		Breather
42	MIU14445	VALVE	1		Breather
43	MIU14464	SCREW	1		
44	MIU14448	SCREW	1		
45	PM37469	LIQUID GASKET	AR		
46	UC12131	PIN	1		USE WITH MIA13208
47	LG692125	CAP SCREW	1		(Not Illustrated)



GX295671

John Deere > Turf And Utility >TRACTOR, LAWN AND GARDEN >X135R - TRACTOR, LAWN AND GARDEN >X135R 100 Series Tractor >20 ENGINE ETN161951 >ST730034 - CRANKSHAFT, CONNECTING RODS AND PISTONS

KEY	PART NO.	PART NAME	QTY	REMARKS
1	MIA11346	PISTON	2	STD
1	MIA11102	PISTON	2	.020" (.50 MM), OS
2	MIU12013	PISTON RING KIT	2	STD
2	MIU12161	RING	2	.020" (.50 MM), OS
3	LG690975	LOCK	2	
4	LG222698S	SHAFT KEY	1	Flywheel
5	MIA11457	CRANKSHAFT	1	
6	26H4	SHAFT KEY	1	1/8" X 3/8"
7	LG690980	GEAR	1	Timing
8	MIA10916	CAMSHAFT	1	USE WITH MIA12373
8	M151221	CAMSHAFT	1	USE WITH MIA12851, MIA13103 OR AUC10153
9	LG690977	TAPPET	4	
10	LG690976	SCREW	4	USE WITH MIA12373, MIA13103 OR AUC10153
10	M151158	SCREW	4	USE WITH MIA12851
11	MIA11459	CONNECTING ROD	2	
12	MIA11458	PISTON PIN	2	



GX309413

Thank you so much for reading.
Please click the “Buy Now!”
button below to download the
complete manual.



After you pay.

You can download the most
perfect and complete manual in
the world immediately.

Our support email:

ebooklibonline@outlook.com