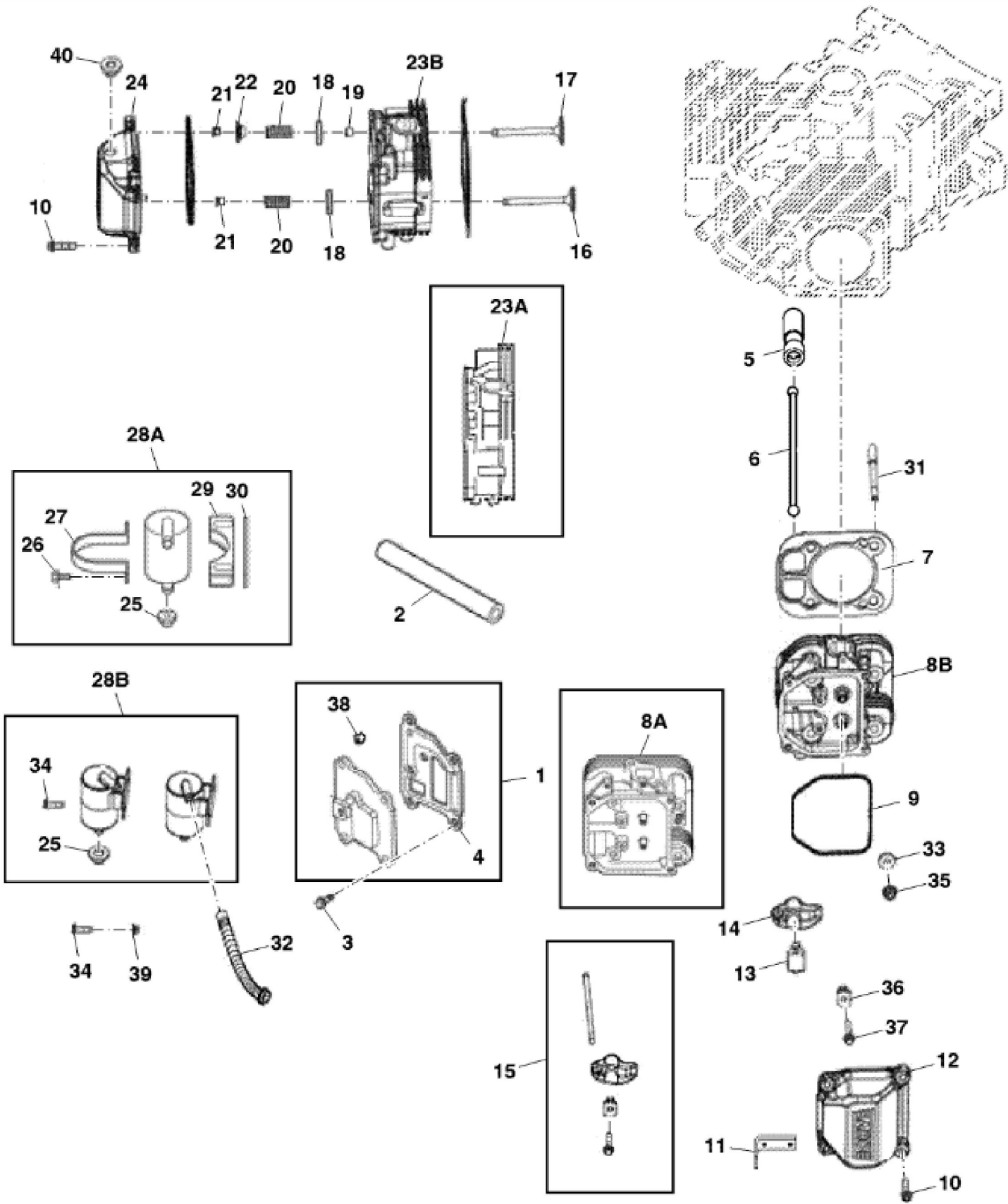


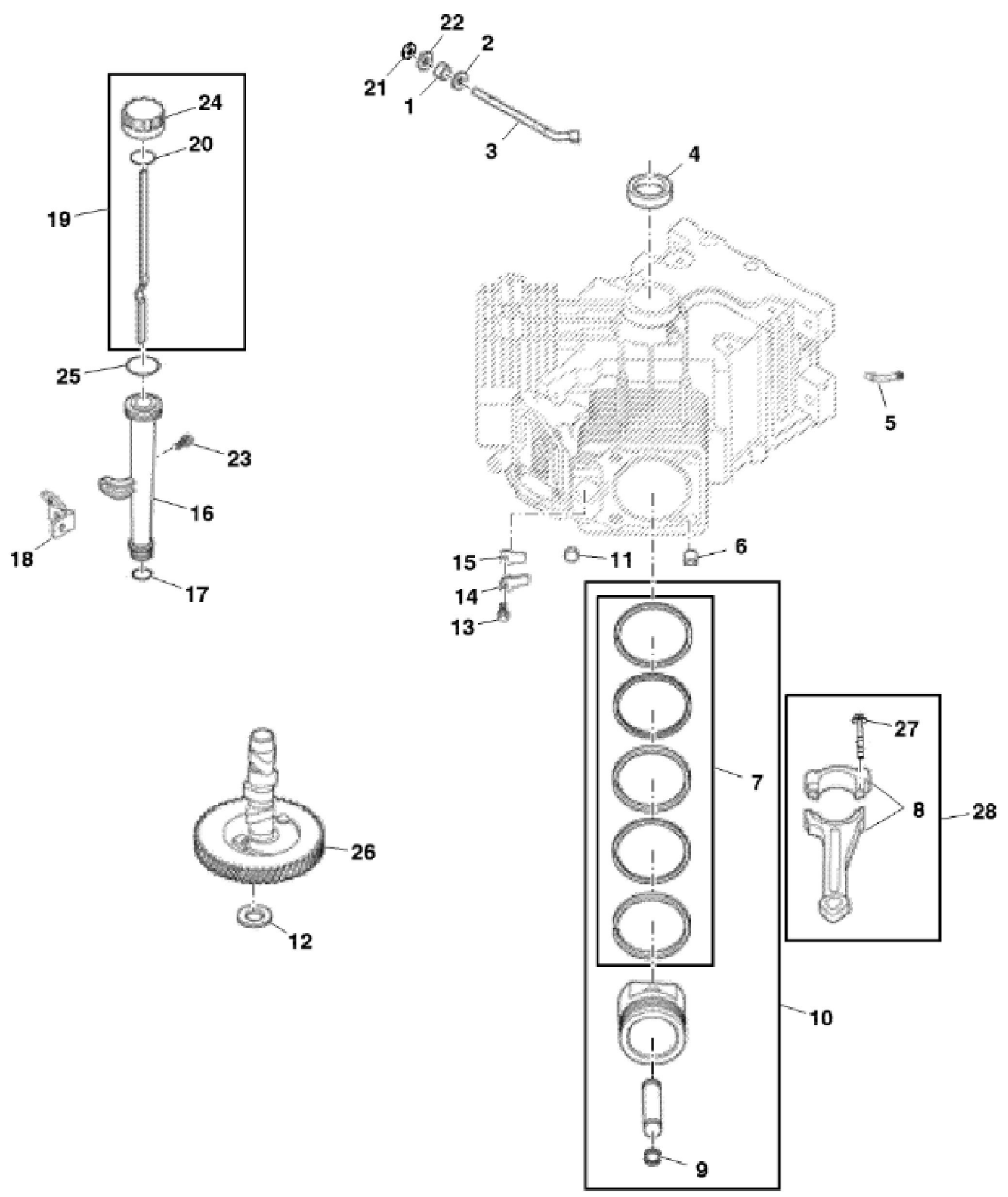
PU14247

KEY	PART NO.	PART NAME	QTY	Serial No.	REMARKS
1	MIA12251	GASOLINE ENGINE	1	____-020000	MARKED ECV740EFI
1	MIA12649	GASOLINE ENGINE	1	020001-____	MARKED CV742
2	TCU34835	SCREW	4		SUB FOR APPL GC00331 AND GX24210
3	R97021	CLAMP	1		
4	TCU27100	HOSE	1		
5	24M7178	WASHER	3		10.500 X 30 X 2.500 mm
6	TCA22834	CABLE	1		MARKED ECV740EFI; Throttle
7	AUC10901	CHOKE	1		SUB FOR TCA19132
8	AH96317	CLIP	1		
9	HOSE	1		CTL 1230 mm, MF M175324
10	N194814	HOSE CLAMP	2		
11	H77698	TIE BAND	1		



KEY	PART NO.	PART NAME	QTY	REMARKS
1	MIU13510	COVER	1	Breather
2	T57822	BULK HOSE	1	
3	MIU14036	SCREW	4	
4	MIU12491	GASKET	1	Breather
5	MIU13278	VALVE LIFTER	4	
6	M132357	PUSH ROD	4	
7	MIU13276	ENGINE CYLINDER HEAD GASKET	2	
8A	MIU12996	CYLINDER KIT	1	MARKED CV740
8B	MIA12798	CYLINDER HEAD	1	MARKED CV742
9	MIU11443	GASKET	2	
10	M132402	SCREW	8	
11	MIU12948	STRAP	1	
12	AM134290	COVER KIT	1	
13	MIU11263	PIVOT	4	
14	M131133	ROCKER ARM	4	
15	AM125389	VALVE TRAIN KIT	4	
16	M132355	EXHAUST VALVE	2	STD
16	M132356	EXHAUST VALVE	2	0.25
17	M132353	INTAKE VALVE	2	STD
17	M132354	INTAKE VALVE	2	0.25
18	M43123	RETAINER	4	
19	M146775	SEAL	2	ORDER MIU14137
19	MIU14137	SEAL	2	SUB FOR M92202
20	M132352	SPRING	2	Valve
21	AM107043	RETAINER	8	
22	M92203	CAP	4	
23A	MIU12997	CYLINDER KIT	1	MARKED CV740
23B	MIA12797	CYLINDER HEAD	1	MARKED CV742
24	AM134352	VALVE COVER	1	Breather
25	MIU13209	GROMMET	2	
26	MIU14033	SCREW	2	
26	MIU12950	SCREW	2	USE WITH MIA12725
27	M134912	STRAP	1	
28A	AM126265	SEPARATOR KIT	1	ORDER MIA12725; Breather
28B	MIA12725	SEPARATOR KIT	1	Breather

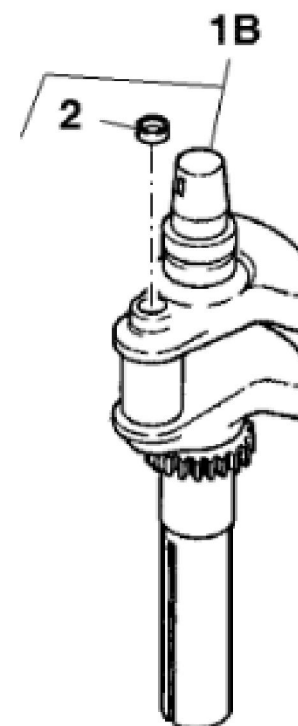
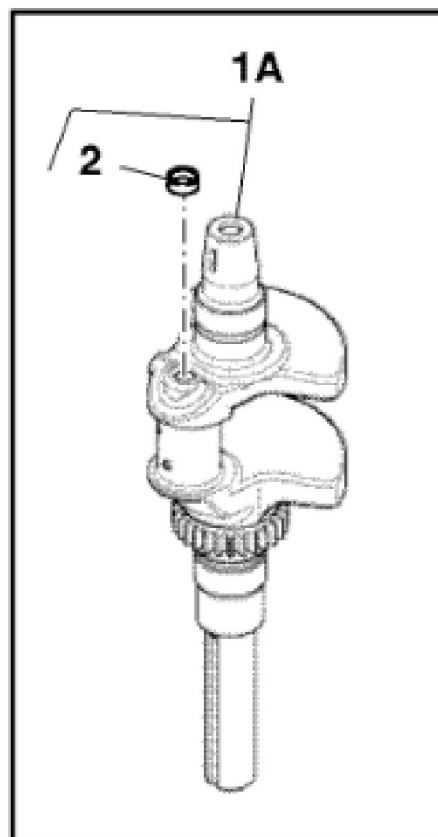
KEY	PART NO.	PART NAME	QTY	REMARKS	
29	M134913	BRACKET	1		
30	M134914	SPACER	1		
31	M143942	STUD	8		
32	MIU14258	HOSE	1	MARKED CV742	
33	M143943	WASHER	8	MARKED CV742	
34	MIU12590	BOLT	2		
35	14M7298	FLANGE NUT	8	M8	
36	MIU11263	PIVOT	4	MARKED CV742	
37	M120564	SCREW	4		
38	15H558	PIPE PLUG	1	1/8", MARKED CV742	
39	M132381	NUT	2		
40	M148338	GROMMET	2		



John Deere > Turf And Utility >TRACTOR, LAWN AND GARDEN >Z915B - TRACTOR, LAWN AND GARDEN >Z915B ZTrak B Series Mower >20 ENGINE TCM12721 >ST744554 - CONNECTING ROD AND PISTONS

KEY	PART NO.	PART NAME	QTY	REMARKS
1	M143970	SEAL	1	Governor Cross Shaft
2	M143939	WASHER	1	
3	M148328	SHAFT	1	Governor Cross
4	MIU11539	SEAL	1	Front Oil
5	M134898	FITTING	1	
6	MIU11251	DOWEL PIN	6	Locating
7	MIA11129	PISTON RING	2	STD, MARKED CV740
7	MIA11127	PISTON RING	2	0.25, USE WITH MIA11276
7	MIU13203	PISTON RING	2	0.50, MARKED CV740
7	MIU14302	PISTON RING	2	STD, MARKED CV742
7	MIU14303	PISTON RING	2	0.08, MARKED CV742
7	MIU14304	PISTON RING	2	0.25, MARKED CV742
7	MIU14305	PISTON RING	2	0.50, MARKED CV742
8	MIU13923	CONNECTING ROD	2	ORDER MIA12812
9	M132341	RETAINER	4	Piston Pin
10	MIA11128	PISTON RING KIT	2	MARKED CV740
10	MIA12587	PISTON RING KIT	2	0.08, MARKED CV740
10	MIA11276	PISTON RING KIT	2	MARKED CV740; ORDER MIA12920
10	MIA12588	PISTON RING KIT	2	0.50, MARKED CV740; ORDER MIA12639
10	MIA12639	PISTON RING KIT	2	0.50, MARKED CV740; ORDER MIA12921
10	MIA12921	PISTON KIT	1	
10	MIA12800	PISTON RING KIT	2	STD, MARKED CV742
10	MIA12823	PISTON RING KIT	2	0.08, MARKED CV742
10	MIA12824	PISTON RING KIT	2	0.25, MARKED CV742
10	MIA12825	PISTON RING KIT	2	0.50, MARKED CV742
10	MIA12920	PISTON KIT	1	
11	M76215	PLUG	1	
12	M93955	SOLID SHIM	1	MARKED CV742; Camshaft
13	37M7466	SCREW	2	M5 X 10, MARKED CV742
13	M93483	SCREW	2	MARKED CV740
14	M134899	RETAINER	2	Breather Reed
15	M134900	BREATHER	2	
16	MIU11957	TUBE	1	
17	M92193	O-RING	1	Lower Oil Fill Tube

KEY	PART NO.	PART NAME	QTY	REMARKS	
18	M134901	BRACKET	1	Oil Fill Tube	
19	AM126257	DIPSTICK	1		
20	M148124	O-RING	1	MARKED CV740	
20	M92194	O-RING	1	MARKED CV742	
21	M143941	SNAP RING	1		
22	M143936	WASHER	1		
23	MIU11902	SCREW	1		
24	AM124450	CAP KIT	1		
25	M92194	O-RING	2	MARKED CV742	
26	MIA12196	CAMSHAFT	1	MARKED CV742	
27	MIA12826	BOLT	4	MARKED CV742	
28	MIA12812	CONNECTING ROD	2		



PU11344

Thank you so much for reading.
Please click the “Buy Now!”
button below to download the
complete manual.



After you pay.

You can download the most
perfect and complete manual in
the world immediately.

Our support email:

ebooklibonline@outlook.com