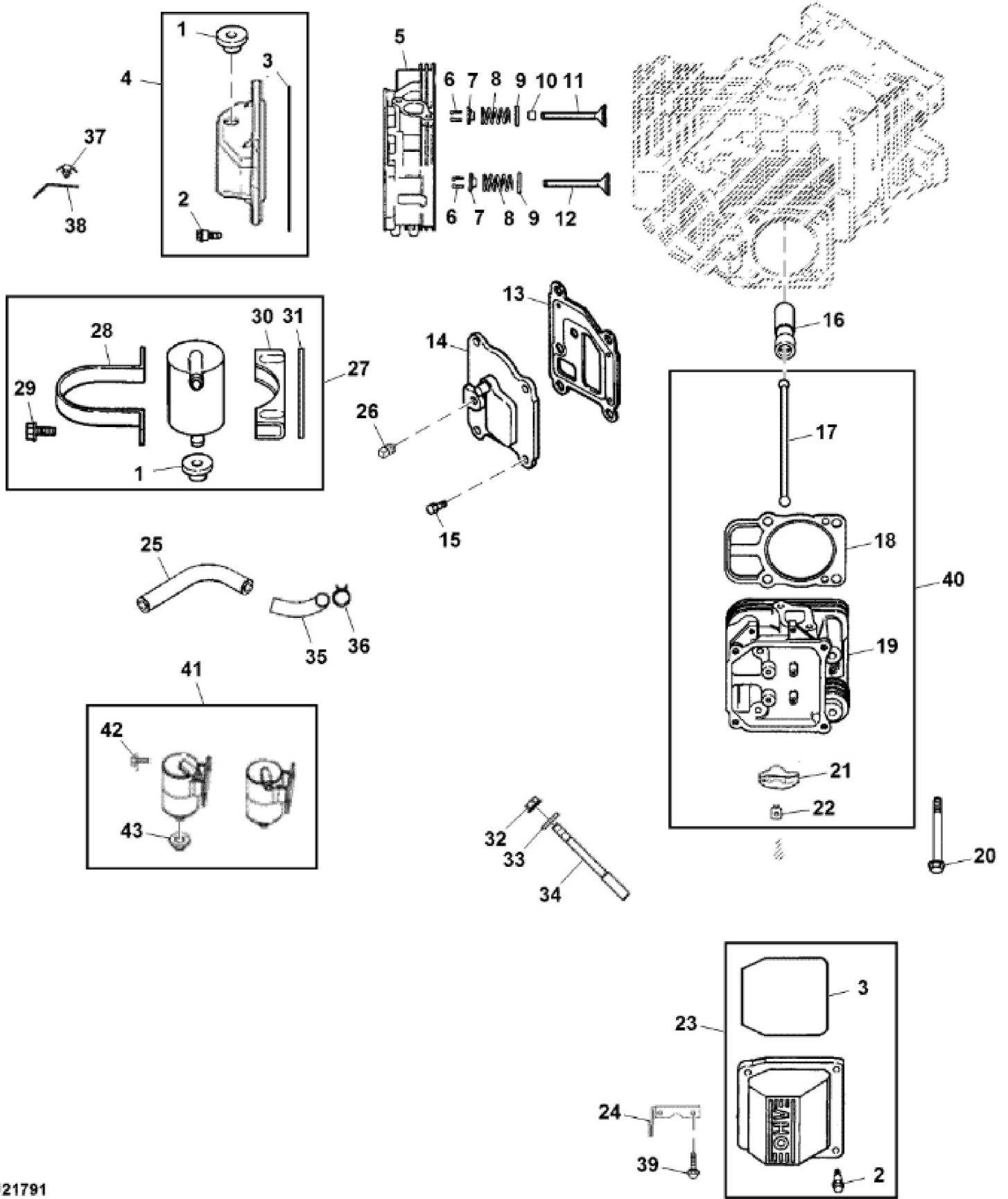
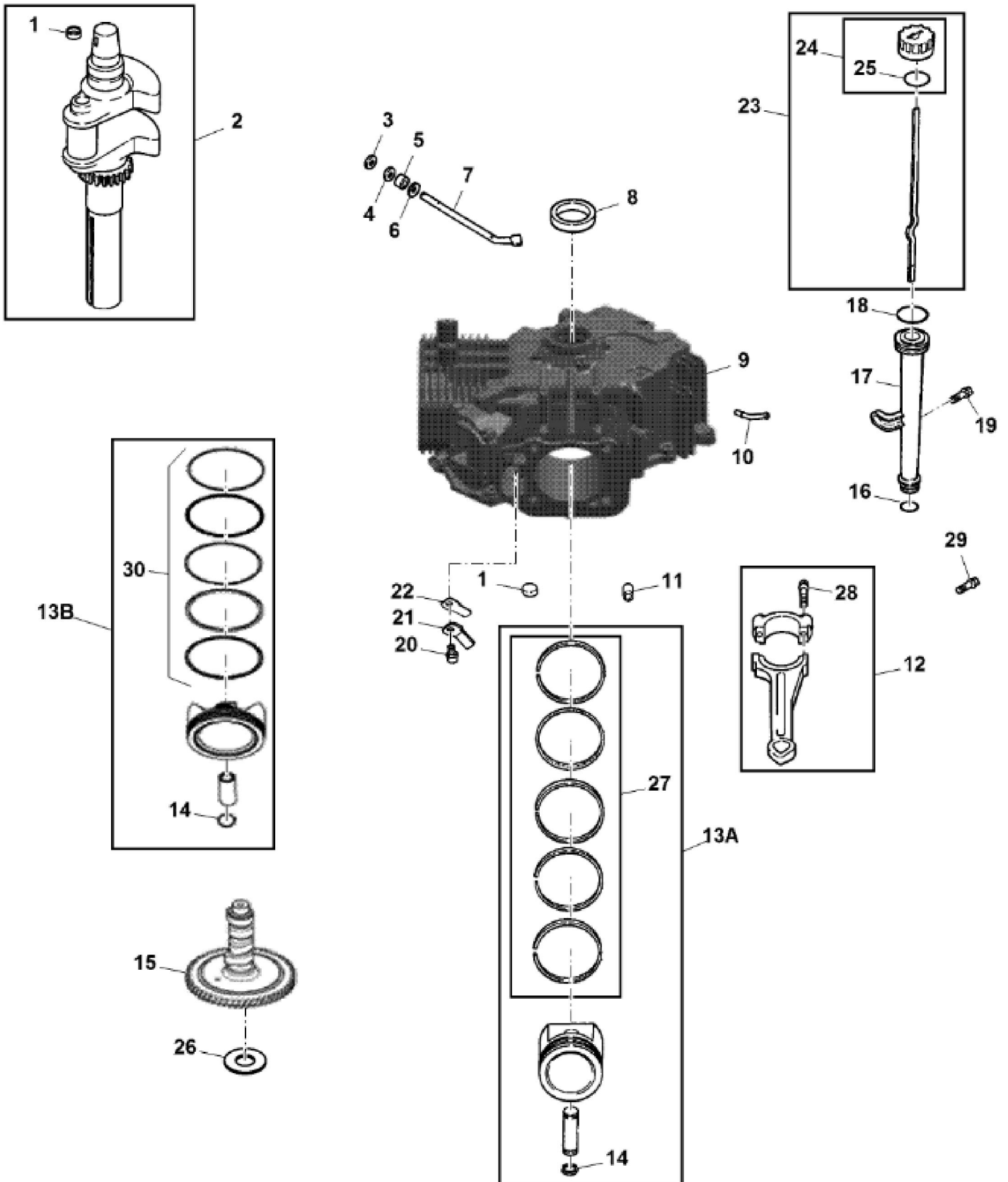


KEY	PART NO.	PART NAME	QTY	REMARKS	
1	MIA12254	GASOLINE ENGINE	1	MARKED PS-CV749-3020; ORDER MIA12651	
1	MIA12651	GASOLINE ENGINE	1	MARKED PS-ECV749-3028; ORDER MIA13022	
1	MIA13022	GASOLINE ENGINE	1	MARKED PS-ECV749-3048	
2	19H3693	SCREW	4	3/8" X 1-1/4"	
3	TCU33154	LABEL	1		
4	24M7178	WASHER	3	10.500 X 30 X 2.500 mm	



KEY	PART NO.	PART NAME	QTY	REMARKS
1	M148338	GROMMET	1	
2	M132350	SCREW	4	SUB FOR M132402
3	MIU11443	O-RING	1	
4	AM134352	O-RING KIT	1	W/ Breather, RH
5	MIA12198	CYLINDER HEAD	1	USE WITH MIA12254
5	MIA12797	CYLINDER HEAD	1	USE WITH MIA13022
6	AM107043	RETAINER	8	2 Per Set
7	M92203	CAP	4	
8	M132352	SPRING	4	
9	M43123	RETAINER	4	
10	M146775	SEAL	4	ORDER MIU14137
10	MIU14137	SEAL	2	SUB FOR M92202
11	M132353	INTAKE VALVE	2	(STD)
11	M132354	INTAKE VALVE	1	.25 MM (.010") , OS
12	M132355	EXHAUST VALVE	2	(STD)
12	M132356	EXHAUST VALVE	1	.25 MM (.010") , OS
13	MIU12491	GASKET	1	
14	MIU13277	COVER	1	
15	37M7131	SCREW	4	M6 X 20
15	MIU14036	SCREW	4	
16	MIU13278	VALVE LIFTER	4	USE WITH MIA12254 OR MIA12651
16	MIU14140	VALVE LIFTER	4	USE WITH MIA13022; Hydraulic
17	M132357	PUSH ROD	4	
18	MIU13276	GASKET	2	Cylinder Head
19	MIA12199	CYLINDER HEAD	1	USE WITH MIA12254
19	MIA12798	CYLINDER HEAD	1	USE WITH MIA12651 OR MIA13022
20	19M7811	SCREW	8	M10 X 90
21	M131133	ROCKER ARM	4	
22	MIU11263	PIVOT	4	
23	AM134290	COVER KIT	1	(LH)
24	MIU12948	STRAP	1	
25	MIU13212	BREATHER	1	
26	15H558	PIPE PLUG	1	1/8"
27	AM126265	SEPARATOR KIT	1	ORDER MIA12725; Breather Separator
28	M134912	STRAP	1	ORDER MIA12725

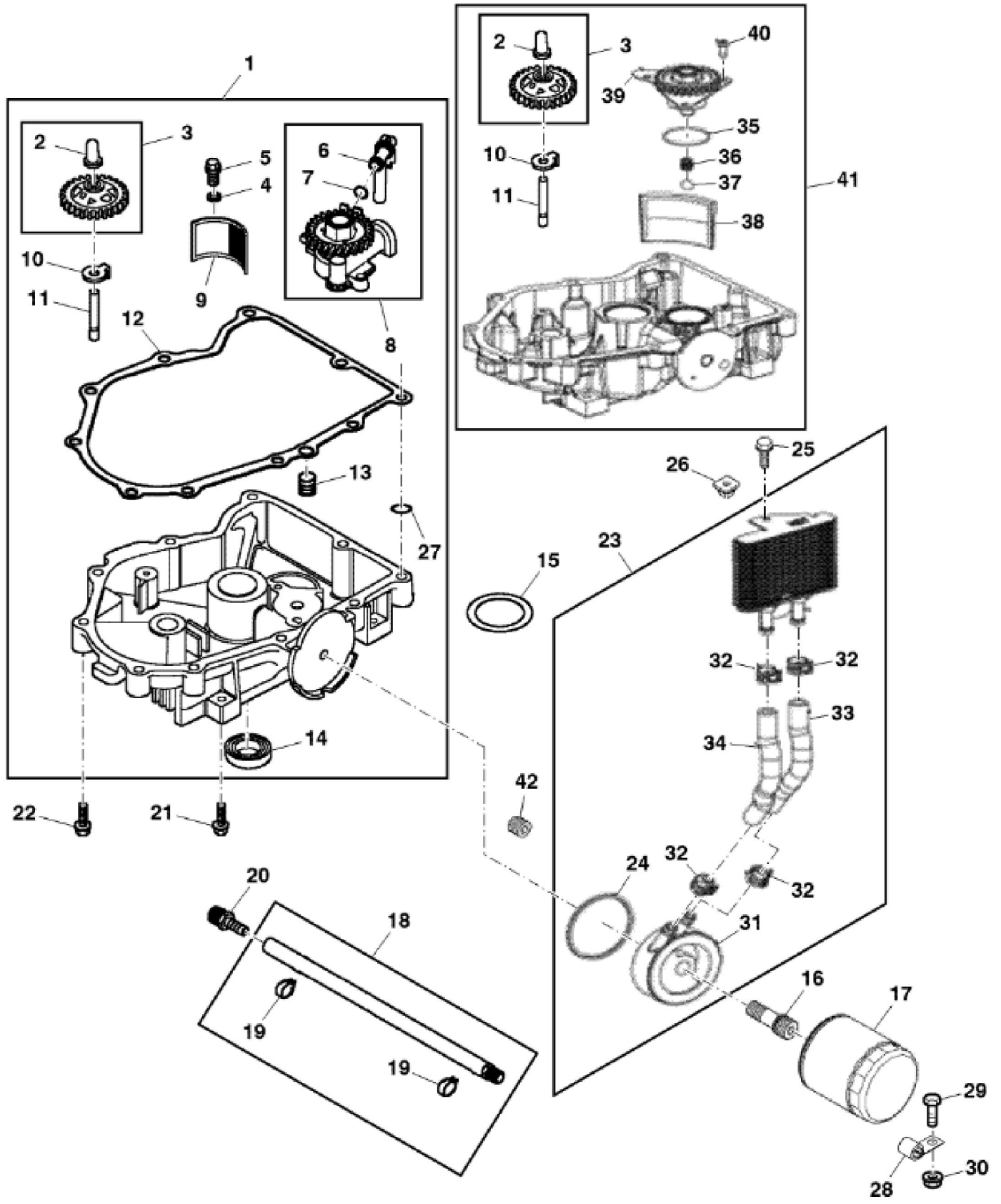
KEY	PART NO.	PART NAME	QTY	REMARKS
29	MIU14033	SCREW	2	
30	M134913	BRACKET	1	
31	M134914	SPACER	1	
32	14M7298	FLANGE NUT	8	M8
33	M143943	WASHER	8	
34	M143942	STUD	8	
35	MIU11933	SLEEVE	1	
36	MIU13214	HOSE CLAMP	1	
37	MIU13213	CLIP	1	
38	MIU13211	BRACKET	1	Oxygen Sensor
39	37M7091	SCREW	3	M6 X 25
39	MIU14027	SCREW	1	
40	AM125389	VALVE TRAIN KIT	4	Valve Train
41	MIA12725	SEPARATOR KIT	1	Breather Separator
42	MIU12950	SCREW	2	
43	MIU13209	GROMMET	1	
44	MIA10892	CYLINDER KIT	1	(Not Illustrated)
45	GC00331	SCREW	4	(Not Illustrated)
46	MIU14032	SCREW	1	(Not Illustrated)
47	MIU11303	LABEL	2	(Not Illustrated)
48	19M8290	SCREW	1	(Not Illustrated) M6 X 35



John Deere > Turf And Utility >TRACTOR, LAWN AND GARDEN >Z930M - TRACTOR, LAWN AND GARDEN >Z930M EFI ZTrak M Series Mower >20 ENGINE TCM12723 >ST794321 - CRANKSHAFT AND PISTONS

KEY	PART NO.	PART NAME	QTY	REMARKS
1	M76215	PLUG	2	
2	MIA12190	CRANKSHAFT	1	
3	M143941	SNAP RING	1	
4	M143936	WASHER	1	
5	M143970	SEAL	1	
6	M143939	WASHER	1	
7	M148328	SHAFT	1	Governor Cross
8	MIU11539	SEAL	1	
9	.....	CRANKCASE	1	ORDER MIA12254
10	M134898	FITTING	1	
11	MIU11251	DOWEL PIN	6	
12	MIU13923	CONNECTING ROD	2	ORDER MIA12812
12	MIA12812	CONNECTING ROD	2	
13A	MIA12800	PISTON REPLACEMENT KIT	2	SUB FOR MIA12582; STD
13A	MIA12583	PISTON KIT	2	0.08, USE WITH MIA12254
13A	MIA12584	PISTON KIT	2	0.25, USE WITH MIA12254 OR MIA13022
13A	MIA12585	PISTON KIT	1	0.50, USE WITH MIA12254
13A	MIA12192	PISTON KIT	1	STD, USE WITH MIA13022
13A	MIA12193	PISTON KIT	2	0.08, USE WITH MIA13022
13A	MIA12195	PISTON KIT	2	0.5, USE WITH MIA13022
13B	MIA12823	PISTON KIT	2	0.08, USE WITH MIA12651 OR MIA13022
13B	MIA12824	PISTON KIT	2	0.25, USE WITH MIA12651 OR MIA13022
13B	MIA12825	PISTON KIT	2	0.50, USE WITH MIA12651 OR MIA13022
14	M132341	RETAINER	4	
15	MIA12196	CAMSHAFT	1	
16	M92193	O-RING	1	
17	MIU11957	TUBE	1	
18	M92194	O-RING	1	
19	MIU11902	SCREW	1	
20	M138311	SCREW	2	USE WITH MIA12651 OR MIA13022
20	M93483	SCREW	2	USE WITH MIA12254
21	M134899	RETAINER	2	
22	M134900	BREATHER	2	
23	AM126257	DIPSTICK	1	

KEY	PART NO.	PART NAME	QTY	REMARKS	
24	AM124450	CAP KIT	1		
25	M148124	O-RING	1		
26	M93955	SOLID SHIM	1	.028", White	
27	MIA11277	PISTON RING KIT	2	STD	
27	MIA11127	RING	2	0.08	
27	MIA11129	RING	2	STD	
27	MIU13203	RING	2	0.5	
28	MIA12826	BOLT	4		
29	MIU14033	SCREW	1		
30	MIU14302	PISTON RING	2	STD	
30	MIU14303	PISTON RING	2	0.08	
30	MIU14304	PISTON RING	2	0.25	
30	MIU14305	PISTON RING	1	0.5	



Thank you so much for reading.  
Please click the “Buy Now!”  
button below to download the  
complete manual.



After you pay.

You can download the most  
perfect and complete manual in  
the world immediately.

Our support email:

[ebooklibonline@outlook.com](mailto:ebooklibonline@outlook.com)