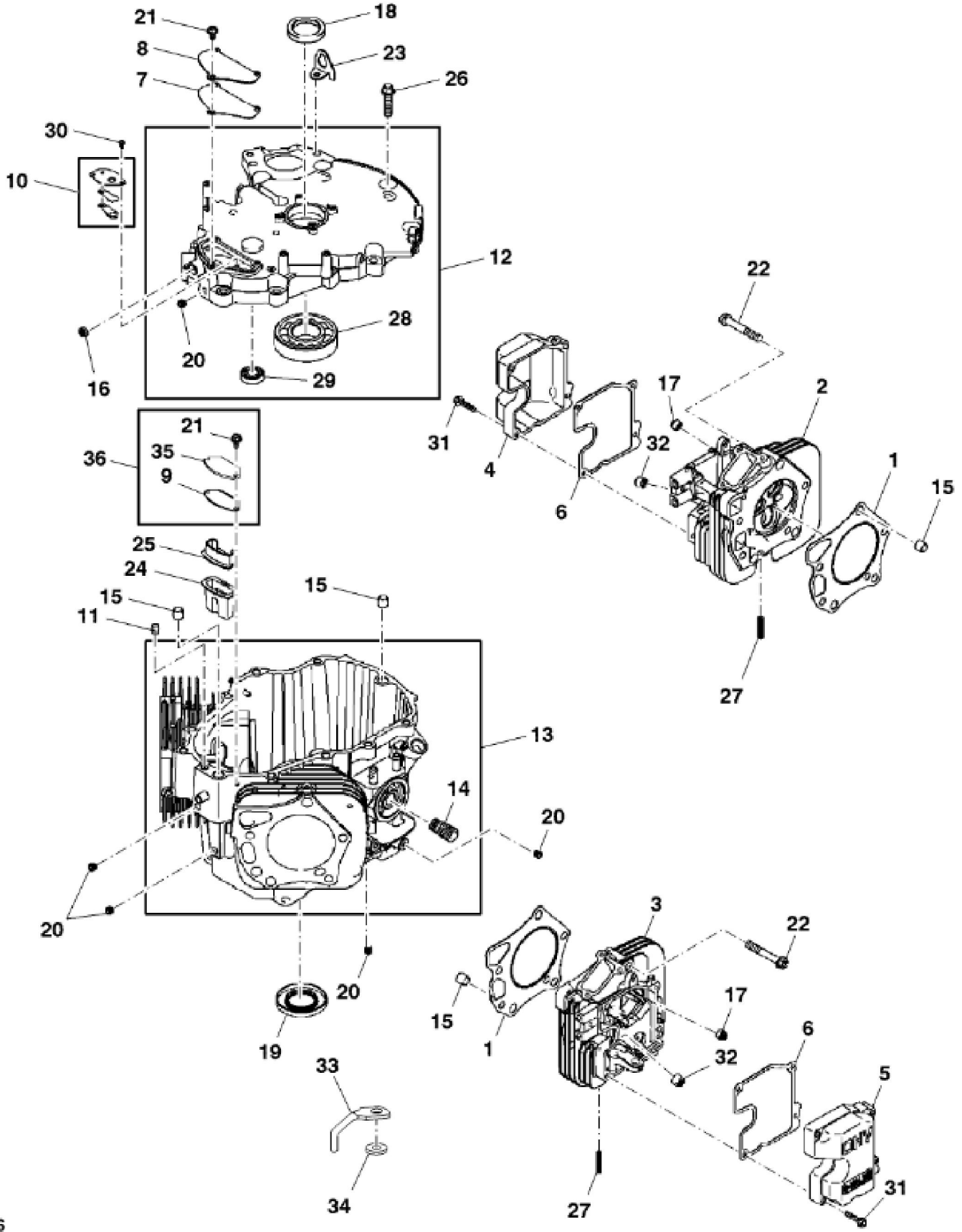


**MP42392**

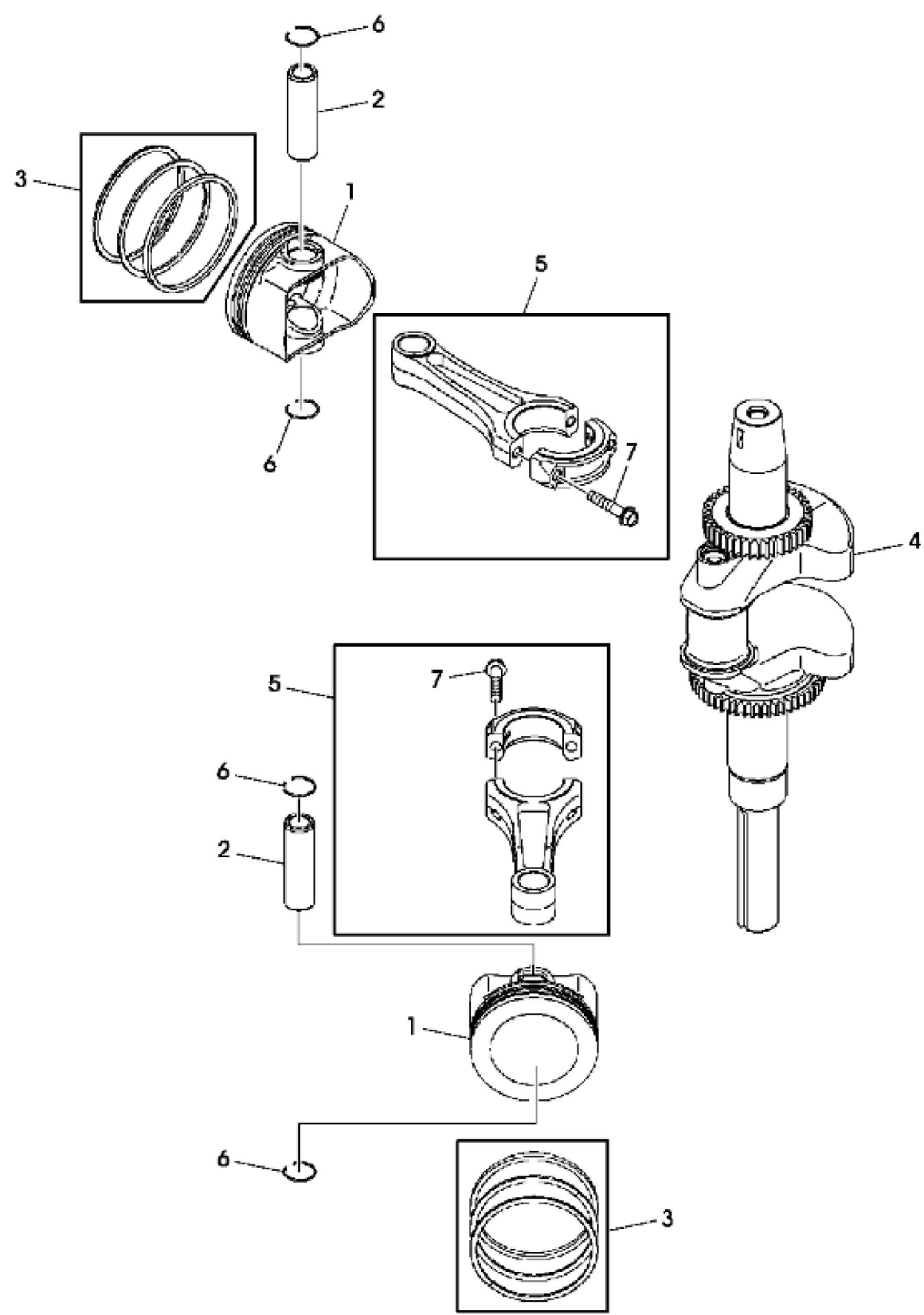
KEY	PART NO.	PART NAME	QTY	REMARKS	
1	MIA12352	GASOLINE ENGINE	1	MARKED FXT00V-AS12	
2	19H3693	SCREW	4	3/8" X 1-1/4"	



John Deere > Turf And Utility >TRACTOR, LAWN AND GARDEN >Z970R - TRACTOR, LAWN AND GARDEN >Z970R ZTrak R Series Mower >20 ENGINE TCM12343 >ST744528 - CYLINDER HEAD AND CRANKCASE

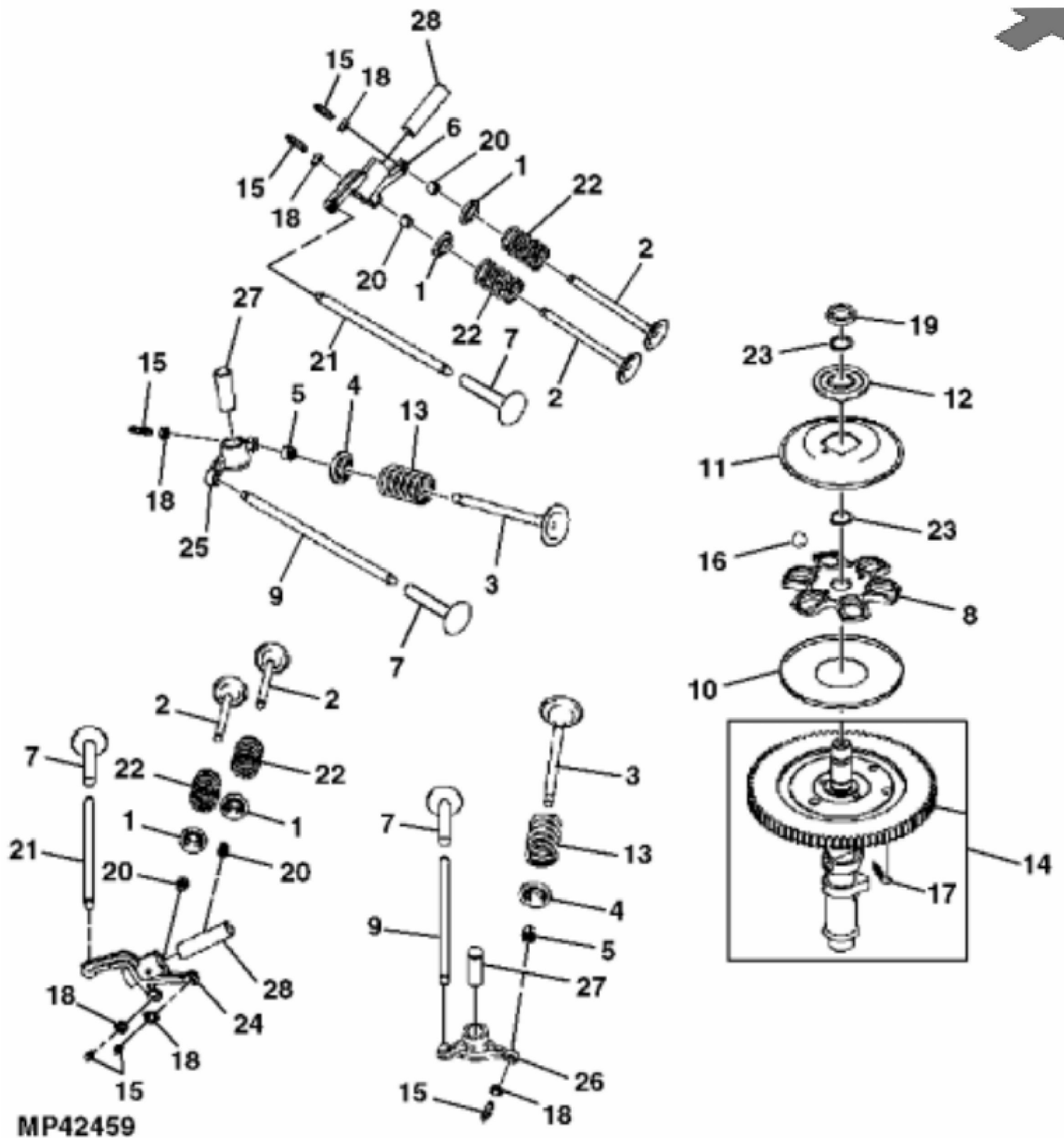
KEY	PART NO.	PART NAME	QTY	REMARKS
1	MIU12194	GASKET	2	
2	MIU13774	CYLINDER HEAD	1	No. 1
3	MIU13775	CYLINDER HEAD	1	No. 2
4	MIU13312	CASE	1	
5	MIU13313	CASE	1	
6	MIU12199	GASKET	2	Rocker Case
7	MIU12200	GASKET	1	Breather
8	MIU12202	PLATE	1	Breather
9	MIU13860	GASKET	1	Breather
10	MIU12201	BREATHER	1	
11	MIU14507	PIPE	3	SUB FORMIU11770
12	MIA11505	COVER	1	Crankcase
13	MIA11506	CRANKCASE	1	NLA; ORDER MIA12733
13	MIA12733	CRANKCASE	1	
14	M127431	ADAPTER FITTING	1	
14	MIU13767	ADAPTER FITTING	1	USE WITH MIA12352
15	M74163	PIN	6	
16	M151774	SEAL	1	
17	M138389	SEAL	4	
18	MIU11773	SEAL	1	
19	MIU12207	SEAL	1	
20	MIU14001	PLUG	5	
21	MIU11325	BOLT	5	M6 X 12
22	MIU12209	BOLT	10	
23	MIU12477	HOOK	1	
24	MIU12205	PIPE	1	
25	MIU12206	PIPE	1	
26	19M7804	SCREW	11	M10 X 40
27	M138395	STUD	4	NLA; ORDER MIU11736
27	MIU11736	BOLT	4	NLA; ORDER MIU12726
27	MIU12726	STUD	4	
28	MIU13981	BALL BEARING	1	
29	MIU12193	BALL BEARING	1	
30	21M7244	SCREW	2	M4 X 8

KEY	PART NO.	PART NAME	QTY	REMARKS	
31	19M7796	SCREW	8	M6 X 30	
32	M152964	SEAL	2		
33	TCU26943	GUIDE	1	NLA; ORDER TCU33513; Belt	
33	TCU33513	GUIDE	1		
34	24M7178	WASHER	1	10.500 X 30 X 2.500 mm	
35	MIU13926	COVER	1		
36	MIA12511	COVER KIT	1		
37	24M7178	WASHER	3	(Not Illustrated) 10.500 X 30 X 2.500 mm	



PU01330

KEY	PART NO.	PART NAME	QTY	REMARKS	
1	MIU13013	PISTON	2		
1	MIU13912	PISTON	2	0.5 mm, OS	
2	MIU12211	PISTON PIN	2		
3	MIU13014	PISTON RING	2		
3	MIU13910	PISTON RING	2	0.5 mm, OS	
4	MIU12215	CRANKSHAFT	1		
5	MIA12686	CONNECTING ROD	2	SUB FOR MIA11507	
6	MIU13982	SNAP RING	4		
7	M147310	BOLT	4		



Thank you so much for reading.  
Please click the “Buy Now!”  
button below to download the  
complete manual.



After you pay.

You can download the most  
perfect and complete manual in  
the world immediately.

Our support email:

[ebooklibonline@outlook.com](mailto:ebooklibonline@outlook.com)