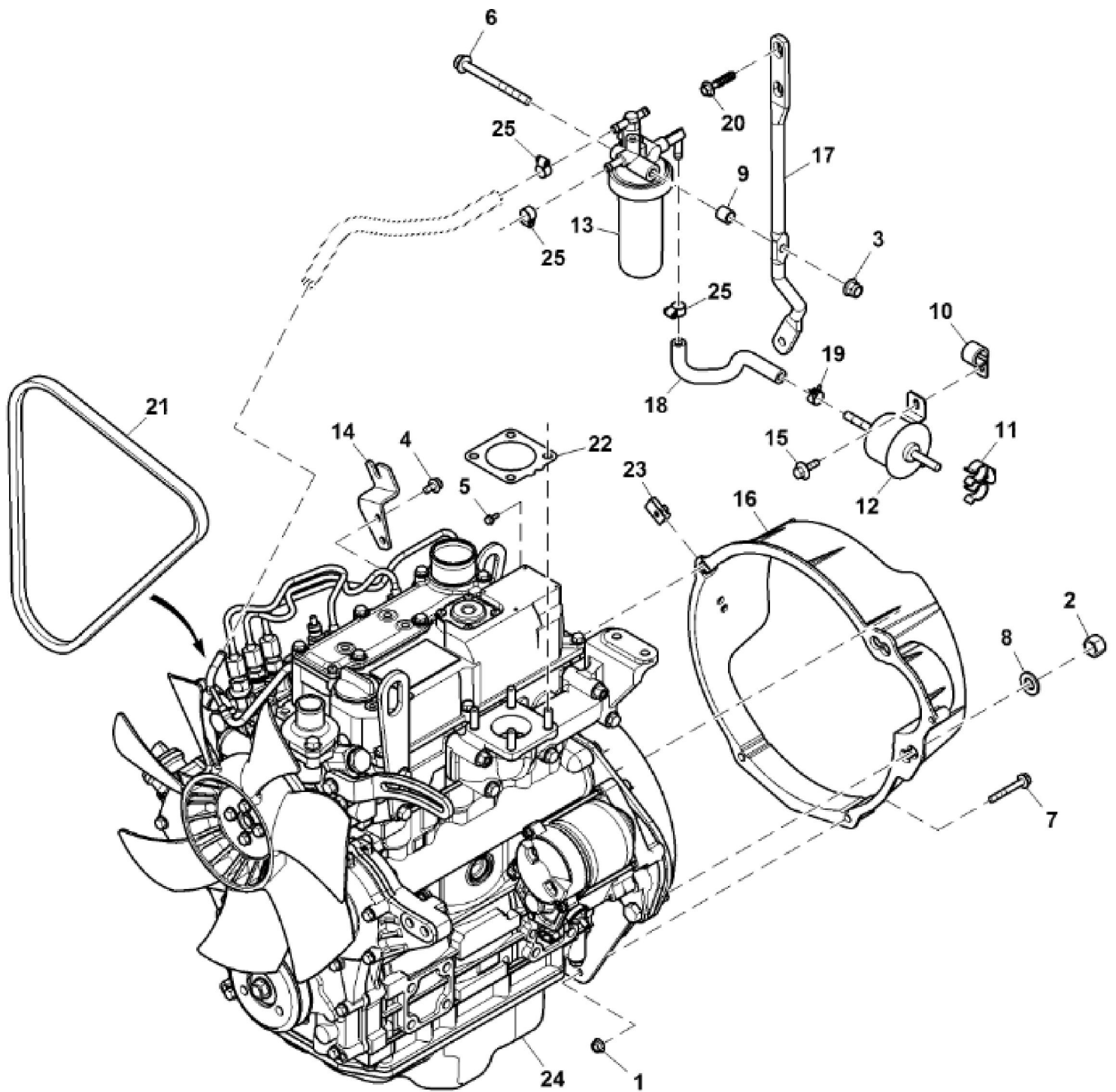


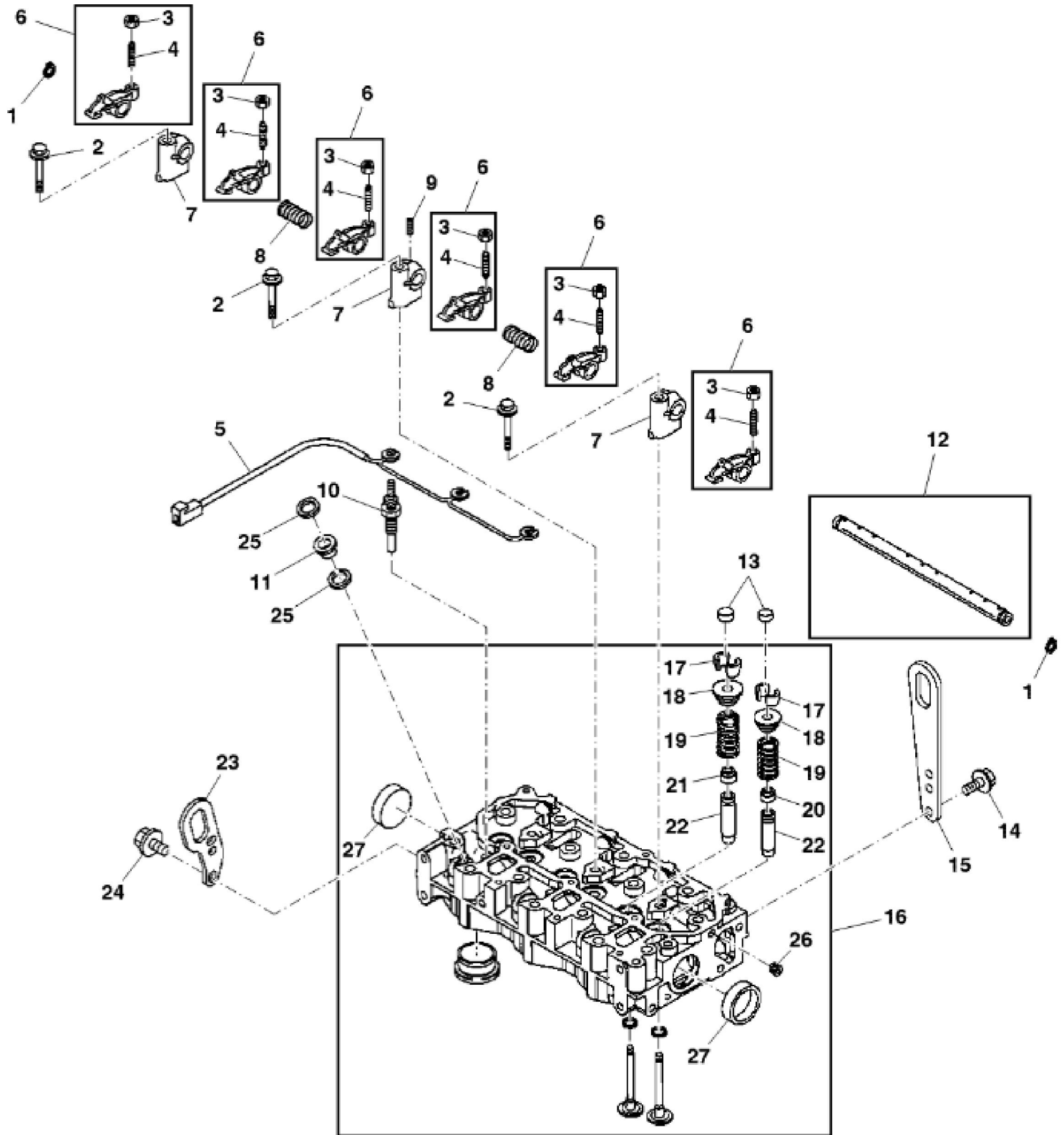
John Deere > Turf And Utility >TRACTOR, COMPACT UTILITY >60D - TRACTOR, COMPACT UTILITY >1025R Compact Utility Tractor (with 54D, 60D Mower Deck and 260 Backhoe) >20 ENGINE  
 >ST745564 - CYLINDER BLOCK

KEY	PART NO.	PART NAME	QTY	REMARKS
1	M800970	BOLT	14	
2	MIA882331	GASKET KIT	1	
3	M809593	PLUG	1	D45
4	M811805	PLUG	4	30
5	CH10335	PLUG	1	
6	M802255	PIN	2	
7	CH18079	SPRING PIN	2	
8	CH10314	PLUG	1	
9	AM882419	THRUST BEARING	2	STD
9	MIA880557	THRUST BEARING	2	Over Sized = 0.25 MM (0.010 IN)
10	MIA880551	BEARING	4	Main, (STD)
10	AM882418	BEARING	4	Under Sized = 0.25 MM (0.010 IN) Main
11	M87879	BOLT	8	
12	M800006	DOWEL PIN	2	
13	M87801	PLUG	1	12
14	M87871	BOLT	3	
15	M811882	SHAFT	1	
16	MIU800572	CAMSHAFT	1	
17	M811807	PLUG	3	25
18	MIA12147	DIESEL ENGINE	1	Diesel, 3TNV80F, TIERIV; Not Illustrated

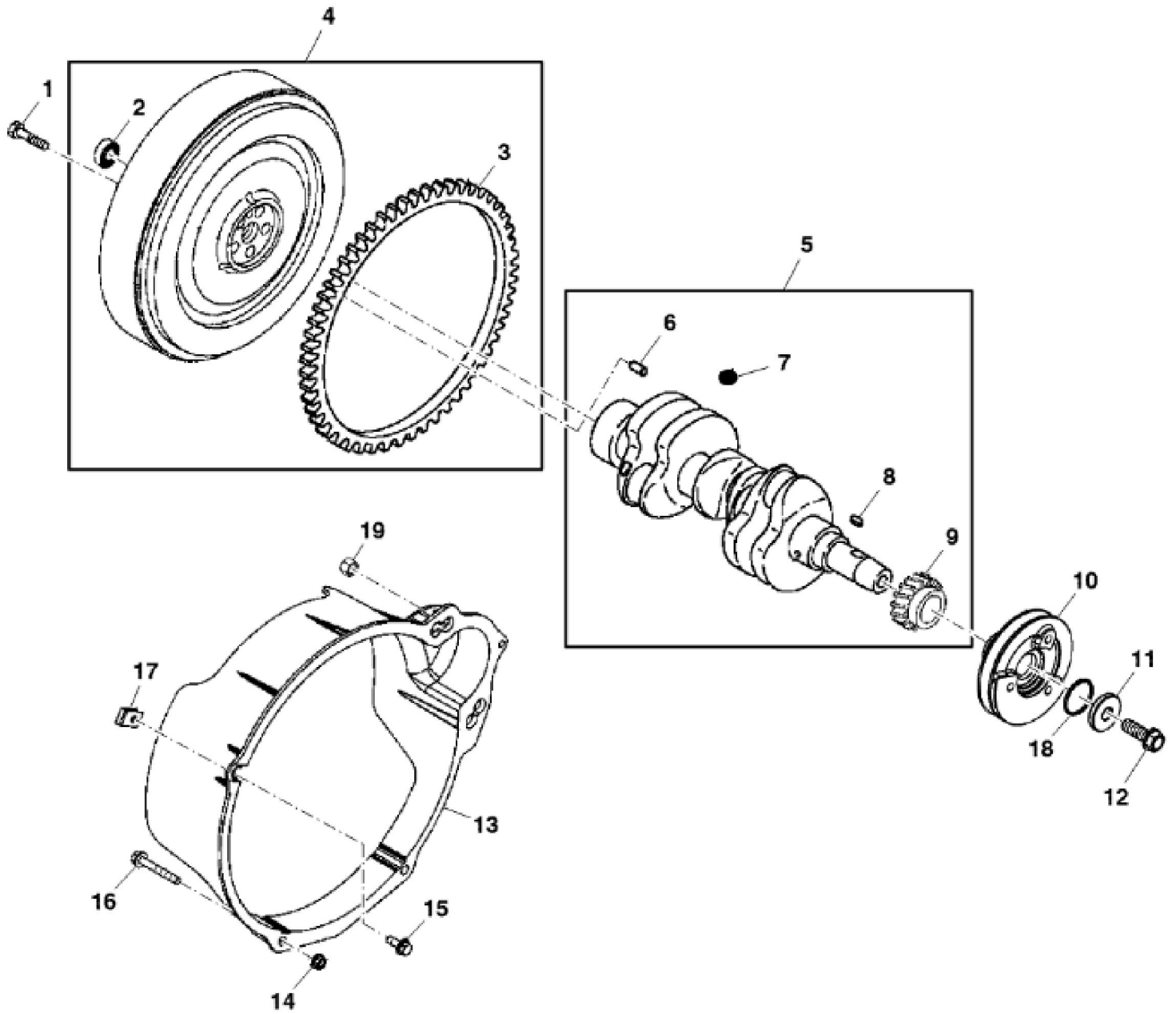


LV253345

KEY	PART NO.	PART NAME	QTY	REMARKS
1	14M7303	FLANGE NUT	2	M6
2	14M7367	LOCK NUT	2	M12
3	14M7396	LOCK NUT	1	M8
4	19M7774	SCREW	2	M6 X 12
5	19M7775	SCREW	1	M6 X 16
6	19M7913	SCREW	1	M8 X 90
7	19M8321	SCREW	2	M6 X 45
8	24M7047	WASHER	2	13 X 24 X 2.500 mm
9	28H3450	SPACER	1	0.364" X 0.540" X 1/2"
10	AH77724	CLIP	1	
11	AL157115	CLIP	1	
12	AM876266	FUEL PUMP	1	
13	MIA883607	FUEL FILTER	1	SUB FOR AM882413
14	LVU22124	SUPPORT	1	
15	LVU22419	BOLT	2	
16	LVU33746	COVER	1	(Pump To Filter) SUB FOR LVU26806
17	LVU28439	ROD	1	
18	LVU28736	HOSE	1	
19	M131032	CLAMP	3	
20	M146384	SCREW	3	
21	M805011	V-BELT	1	
22	M811089	GASKET	1	
23	M84972	NUT	1	
24	MIA12147	DIESEL ENGINE	1	
25	TY22462	CLAMP	3	



KEY	PART NO.	PART NAME	QTY	REMARKS
1	M87818	SNAP RING	2	
2	19M8317	SCREW	3	M8 X 40, SUB FOR M89128
3	M801028	NUT	6	
4	M801027	SCREW	1	
5	M811938	ELEC. CONNECTOR TERMINAL	1	
6	AM882423	ROCKER ARM	6	
7	M811846	SUPPORT	3	Rocker Arm
8	M87892	SPRING	2	
9	M87893	SCREW	1	
10	MIU802457	GLOW PLUG	3	
11	M811967	SHIELD	3	
12	AM882421	ROCKER ARM SHAFT	1	
13	M811804	CAP	6	
14	CH18390	BOLT	2	
15	AT211695	HANGER	1	
16	MIA882333	CYLINDER HEAD	1	
17	M811844	RETAINER	12	Cotter, Valve
18	M811966	RETAINER	6	Retainer, Spring
19	M811842	SPRING	6	
20	M811850	SEAL	3	Valve Stem, In
21	M811851	SEAL	3	Valve Stem, Exit
22	M811855	GUIDE	6	
23	MIU800461	BRACKET	1	Lifter, Engine
24	CH19780	BOLT	2	
25	M89135	GASKET	6	
26	M808706	PLUG	1	R1/16
27	M811808	PLUG	2	35



Thank you so much for reading.  
Please click the “Buy Now!”  
button below to download the  
complete manual.



After you pay.

You can download the most  
perfect and complete manual in  
the world immediately.

Our support email:

[ebooklibonline@outlook.com](mailto:ebooklibonline@outlook.com)