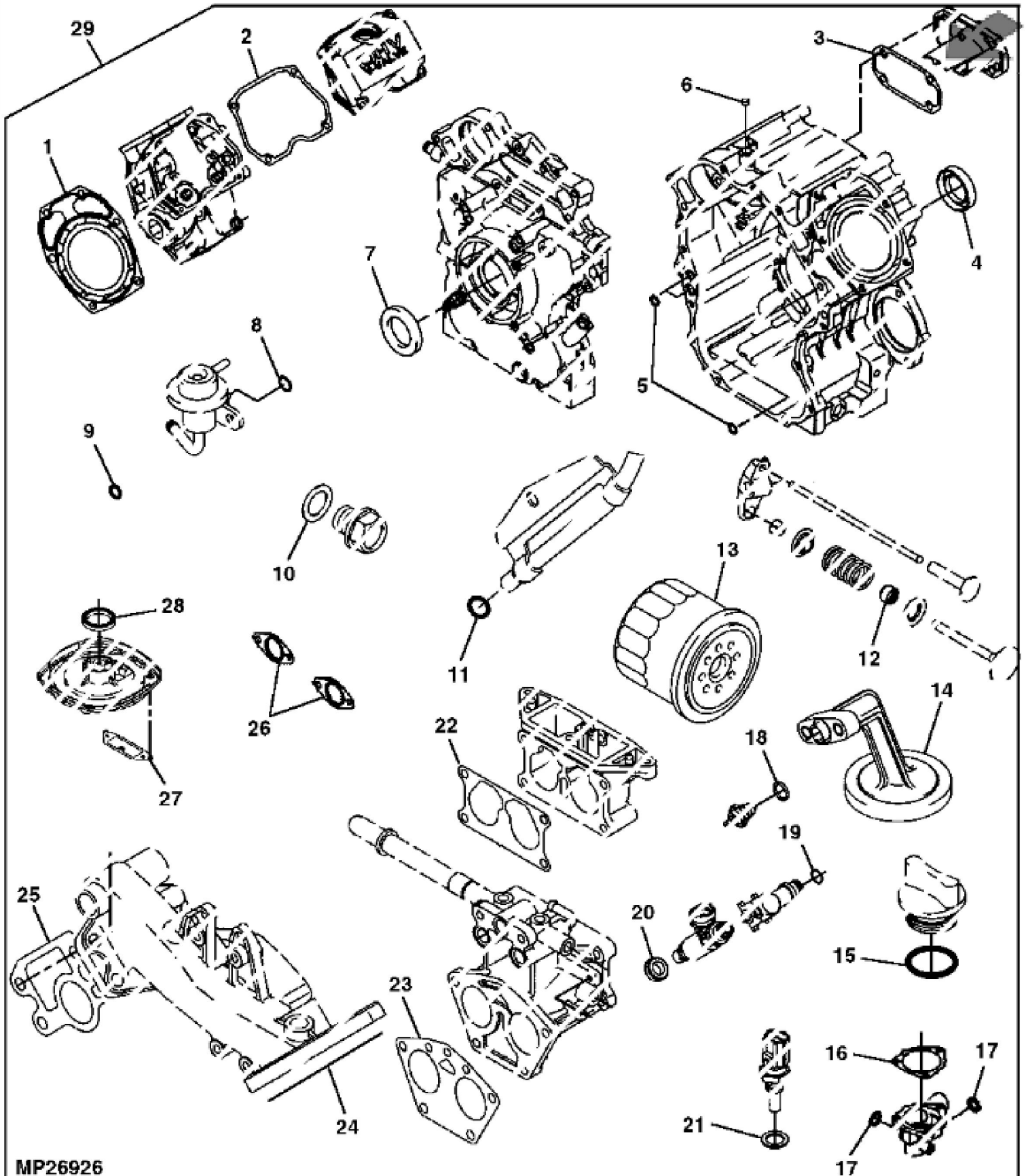


PU12405

KEY	PART NO.	PART NAME	QTY	REMARKS
1	M147294	VALVE COVER	1	RH
2	19M8903	SCREW	11	M6 X 30
3	MIU11493	BOLT	8	
4	M147297	GASKET	2	
5	MIU11492	BOLT	4	
6	M68144	STUD	4	MARKED FD750D-JS12; ORDER MIU11949
6	MIU11949	BOLT	1	
7	AM132281	CYLINDER HEAD	1	ORDER MIU14324; RH
7	MIU14324	CYLINDER HEAD	1	MARKED FD750D-NS12; RH
8	M147293	ENGINE CYLINDER HEAD GASKET	2	
9	MIU14325	CYLINDER HEAD	1	SUB FOR AM132282
10	M147295	VALVE COVER	1	LH
11	M77734	CLAMP	2	
12	M147307	TUBE	1	
13	19M7868	SCREW	4	M8 X 30
14	M147299	COVER	1	
15	M95848	SCREW	2	
16	M147298	PLATE	2	
17	M147300	VALVE	2	Breather
18	M147296	GASKET	1	
19	M147302	SEAL	1	
20	MIU12134	BEARING	1	
21	M127431	ADAPTER FITTING	3	USE WITH AM132283
21	MIU13767	ADAPTER FITTING	1	MARKED FD750D-NS12
22	MIA12868	CRANKCASE	1	SUB FOR AM132283
22	MIA12868	CRANKCASE	1	MARKED FD750D-NS12
23	M70227	PIN	6	
24	M76104	O-RING	3	
25	MIU10833	SEAL	1	
26	19M8318	SCREW	6	M8 X 45
27	M139490	BOLT	4	MARKED FD750D-JS12
27	MIU11385	BOLT	1	MARKED FD750D-NS12
28	MIA12867	CRANKCASE	1	SUB FOR M147763; Cover
29	M147303	SEAL	1	

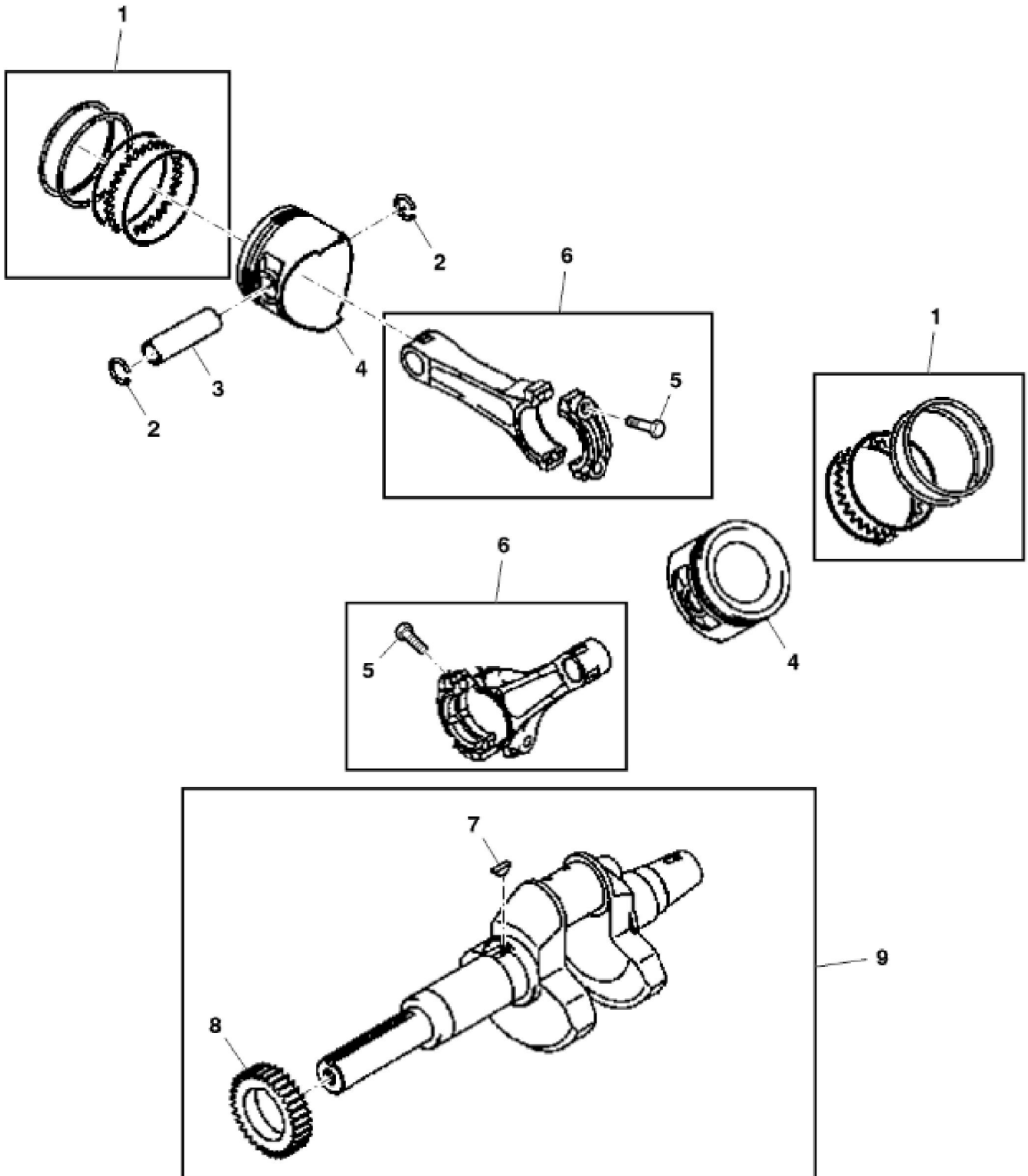
KEY	PART NO.	PART NAME	QTY	REMARKS
30	24M7095	WASHER	12	8.400 X 15 X 1.600 mm, Head Bolt
31	MIU14326	BEARING	1	USE WITH MIA12867
32	M70227	PIN	6	
33	M94242	BOLT	8	(Not Illustrated)
34	MIA12032	GASOLINE ENGINE	1	(Not Illustrated) MARKED FD750D-HS12; ORDER MIA12550
34	MIA12550	GASOLINE ENGINE	1	(Not Illustrated) MARKED FD750D-JS12; ORDER MIA12563
34	MIA12563	GASOLINE ENGINE	1	(Not Illustrated) MARKED FD750D-KS12; ORDER MIA12669
34	MIA12669	GASOLINE ENGINE	1	(Not Illustrated) MARKED FD750D-MS12; ORDER MIA12821
34	MIA12821	GASOLINE ENGINE	1	(Not Illustrated) MARKED FD750D-NS12
35	MIA12917	SHORT BLOCK ASSEMBLY	1	(Not Illustrated) SUB FOR MIA11876



MP26926

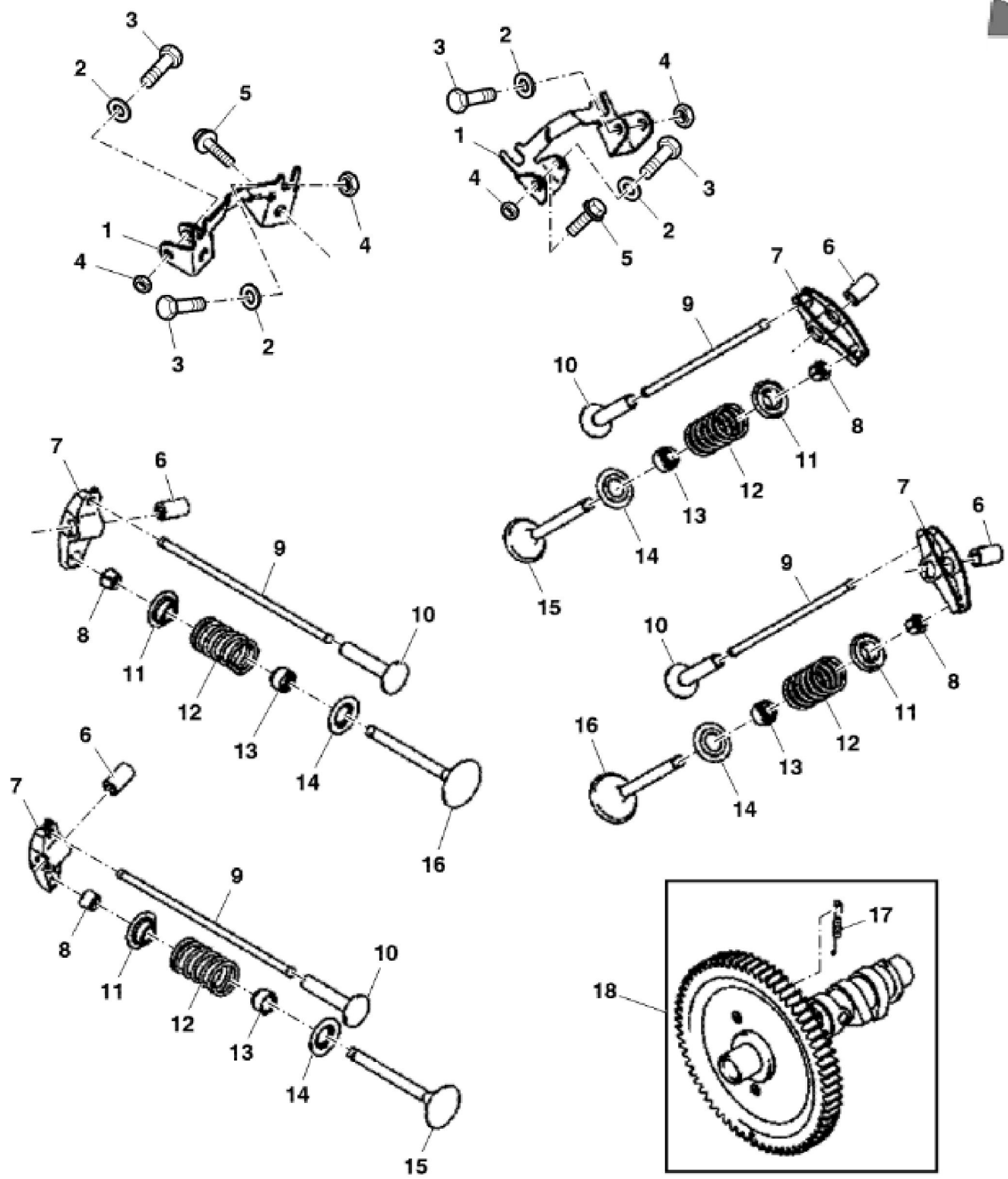
John Deere > Turf And Utility >TRACTOR, LAWN AND GARDEN >X739 - TRACTOR, LAWN AND GARDEN >X739 Signature Series Tractor >20 ENGINE MM16177 >ST747652 - CYLINDER BLOCK GASKET KIT

KEY	PART NO.	PART NAME	QTY	REMARKS
1	M147293	ENGINE CYLINDER HEAD GASKET	2	
2	M147297	GASKET	2	Valve Cover
3	M147296	GASKET	1	Breather
4	M147302	SEAL	1	
5	M76104	O-RING	5	
6	MIU10833	SEAL	1	
7	M147303	SEAL	1	
8	TH102542	O-RING	1	Drain Valve Tube
9	M94391	O-RING	2	Drain Valve Plug
10	M76158	GASKET	3	
11	M117034	O-RING	1	
12	M70034	SEAL	4	
13	AM107423	OIL FILTER	1	
14	M147328	ADAPTER FITTING	2	
15	M147334	O-RING	1	
16	M147335	GASKET	1	Thermostat
17	MIU14495	GASKET	2	SUB FOR M76150
18	M77746	GASKET	2	
19	M147383	GASKET	2	Intake Pipe
20	M147320	WASHER	1	
21	M147791	SEAL	1	
22	M147384	GASKET	1	Air Intake
23	M147784	GASKET	2	Throttle
24	M147381	GASKET	2	Intake Manifold
25	M147382	GASKET	1	Intake Manifold
26	M147400	GASKET	2	Exhaust
27	M147401	GASKET	1	Air Filter Housing
28	M149540	SEAL	1	
29	MIA10747	GASKET KIT	1	
30	M165621	PLATE	2	(Not Illustrated)
31	19M7874	CAP SCREW	11	(Not Illustrated) M6 X 30



John Deere > Turf And Utility >TRACTOR, LAWN AND GARDEN >X739 - TRACTOR, LAWN AND GARDEN >X739 Signature Series Tractor >20 ENGINE MM16177 >ST747646 - CRANKSHAFT AND PISTON ASSEMBLY

KEY	PART NO.	PART NAME	QTY	REMARKS
1	AM102610	PISTON RING KIT	2	
1	AM102612	PISTON RING KIT	2	0.50 mm, OS
2	M70220	SNAP RING	4	
3	M70219	PISTON PIN	2	
4	MIU14328	PISTON	2	SUB FOR M119153; STD
4	M119174	PISTON	2	0.50 mm, OS
5	M147310	BOLT	2	
6	MIA11872	CONNECTING ROD	2	
7	M77843	SHAFT KEY	1	
8	M147309	SPUR GEAR	1	USE WITH MIA10555 AND MIA11873
8	MIU14329	SPUR GEAR	1	MARKED FD750D-NS12
9	MIA11873	CRANKSHAFT	1	ORDER MIA12869
9	MIA12869	CRANKSHAFT	1	



Thank you so much for reading.
Please click the “Buy Now!”
button below to download the
complete manual.



After you pay.

You can download the most
perfect and complete manual in
the world immediately.

Our support email:

ebooklibonline@outlook.com