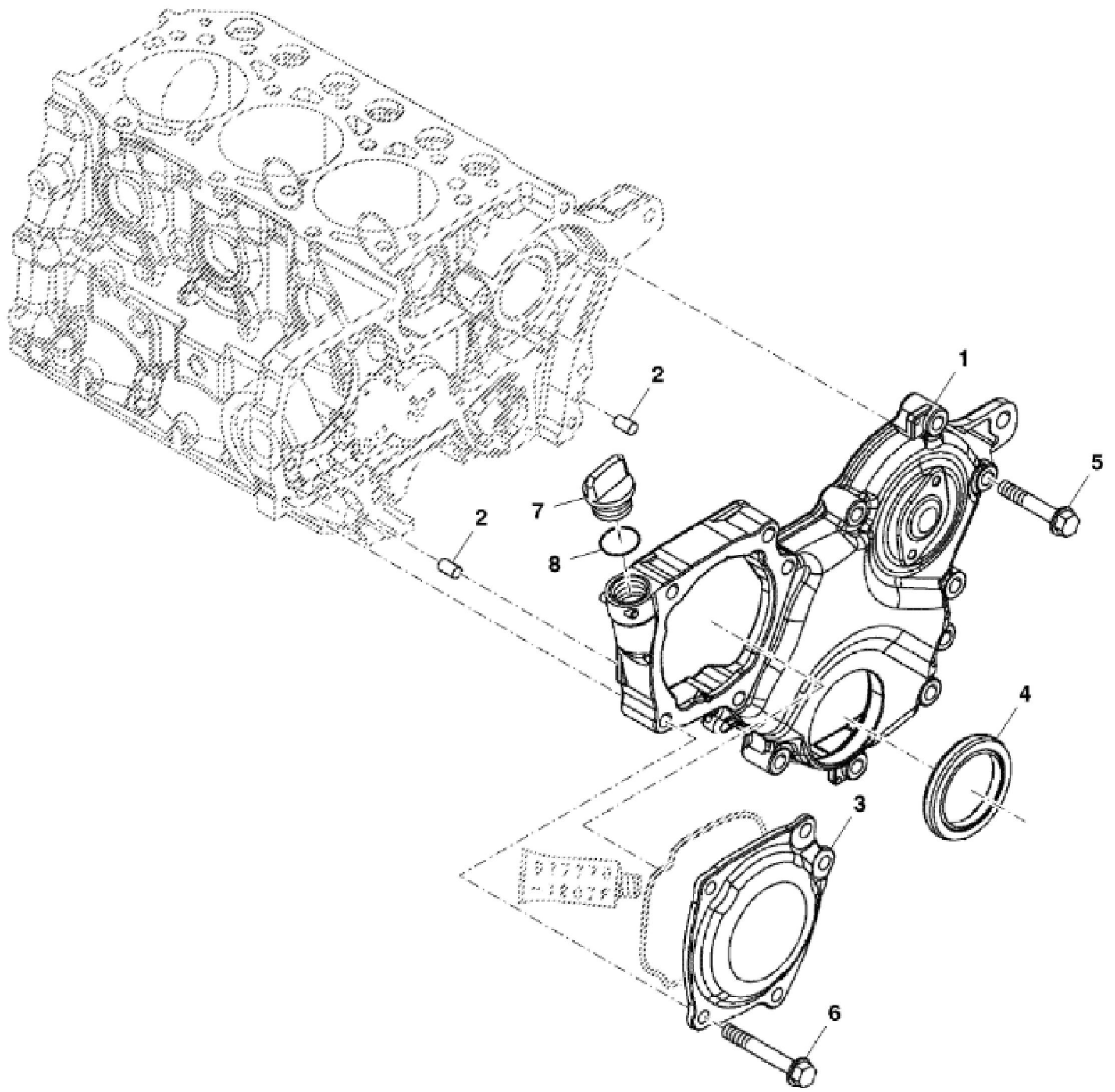
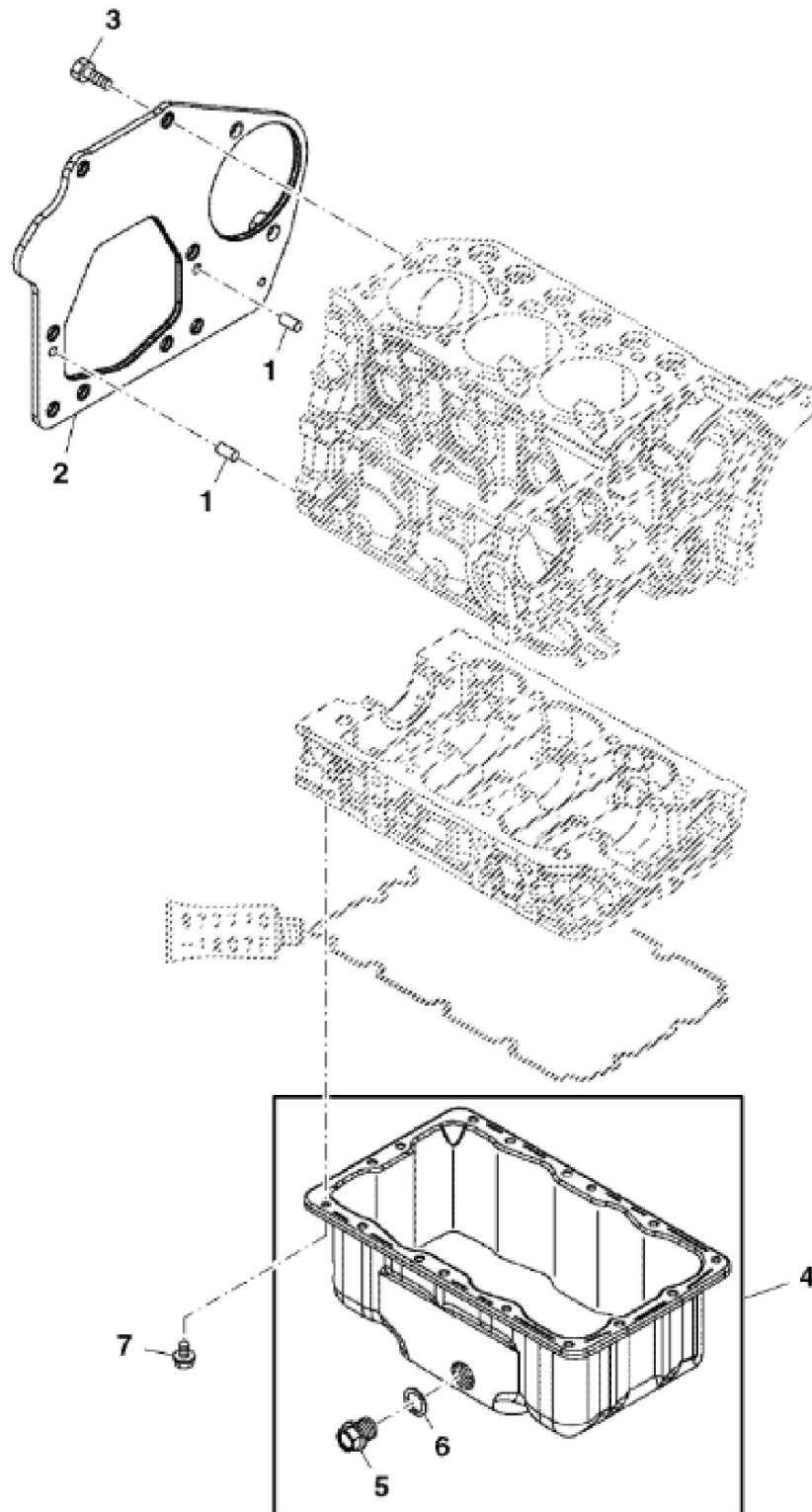


KEY	PART NO.	PART NAME	QTY	Serial No.	REMARKS
1	CH10314	PLUG	3		
2	MIU801572	PLUG	3		
3	MIU801571	PIPE	2		
4	MIU801573	BOLT	16		
5	M808706	PLUG	1		
6	30M7023	PLUG	4		Cap, Metal
7	MIA881538	BEARING	4		Main
7	MIA881539	BEARING	4		0.25, US
8	MIA881540	THRUST BEARING	2		STD
8	MIA881541	BEARING	2		0.25, OS Main
9	M800970	BOLT	14		
10	MIA882277	GASKET KIT	1		Head
11	MIU801570	GASKET	1		
12	MIU802524	BOLT	4		M8 X 1.25
13	MIU800347	SEAL	1		
14	AT211671	O-RING	1		
15	MIU801615	GASKET	1		Pump
16	E63525	NUT	1		
17	MIU804312	LIFTER KIT	1	040001-_____	SUB FOR APPL MIU803028
18	CH19780	BOLT	2	040001-_____	
19	MIA882682	SHORT BLOCK ASSEMBLY	1		Not Illustrated SUB FOR MIA881533
19	MIA884538	SHORT BLOCK ASSEMBLY	1		Not Illustrated



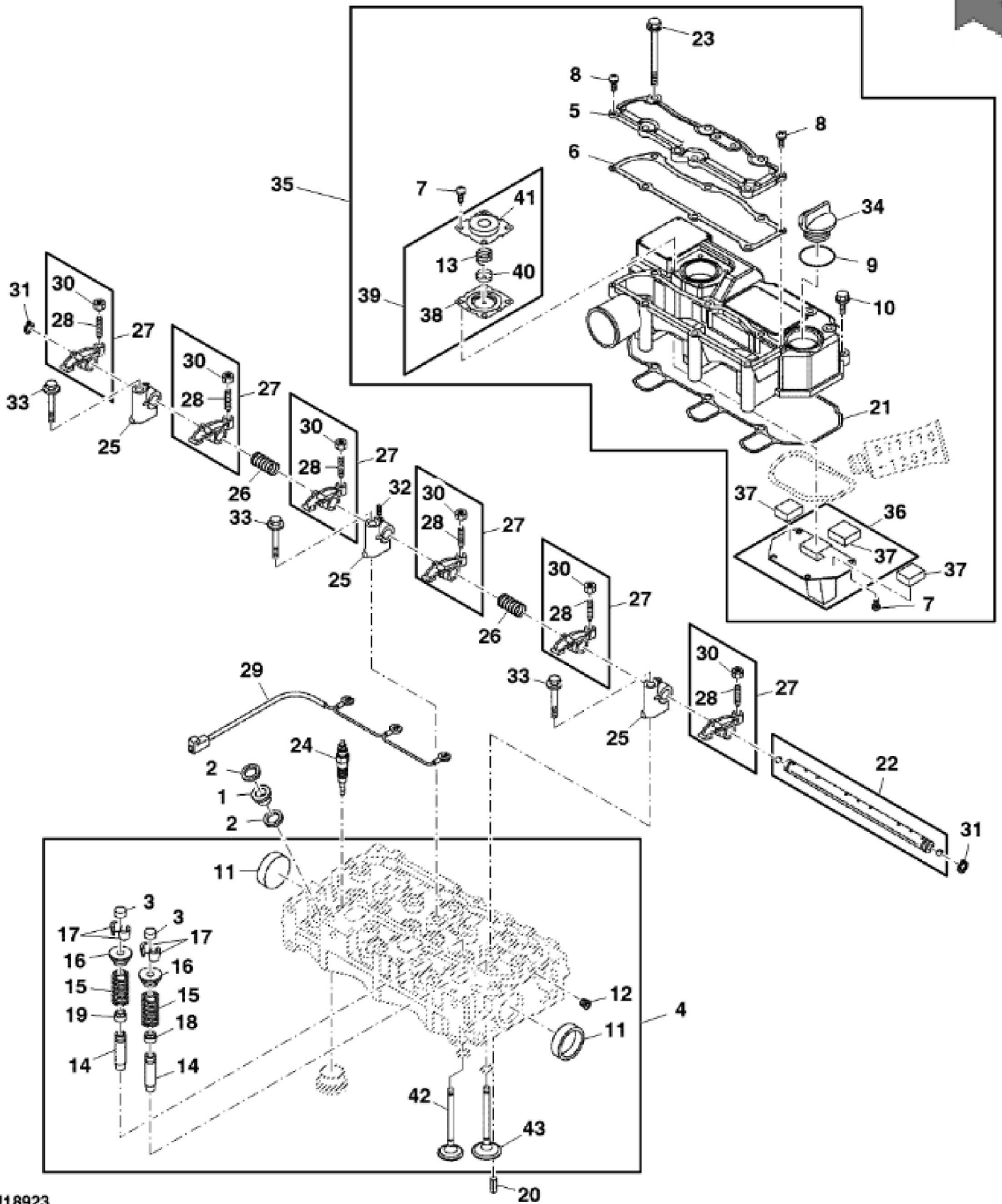
PU06654

KEY	PART NO.	PART NAME	QTY	REMARKS	
1	MIU801540	GEAR CASE	1		
2	M802254	PIN	2		
3	MIU801568	COVER	1	Pump Timing	
4	M811563	SEAL	1		
5	19M7897	SCREW	8	M8 X 35	
6	CH19101	BOLT	5		
7	MIU801536	CAP	1		
8	CH14634	O-RING	1		



John Deere > Turf And Utility > TRACTOR, LAWN AND GARDEN > X758 - TRACTOR, LAWN AND GARDEN > X758 Signature Series Tractor > 20 ENGINE 3TNM74F-NBJLT ETN171094 > ST743530 - MOUNTING FLANGE AND OIL SUMP

KEY	PART NO.	PART NAME	QTY	REMARKS	
1	M802255	PIN	2		
2	MIU802564	FLANGE FITTING	1		
3	M800011	BOLT	8		
4	MIA881596	RESERVOIR	1		
5	T111565	PLUG	1		
6	M806433	WASHER	1	SUB FOR M811568	
7	MIU801569	BOLT	16		



Thank you so much for reading.  
Please click the “Buy Now!”  
button below to download the  
complete manual.



After you pay.

You can download the most  
perfect and complete manual in  
the world immediately.

Our support email:

[ebooklibonline@outlook.com](mailto:ebooklibonline@outlook.com)