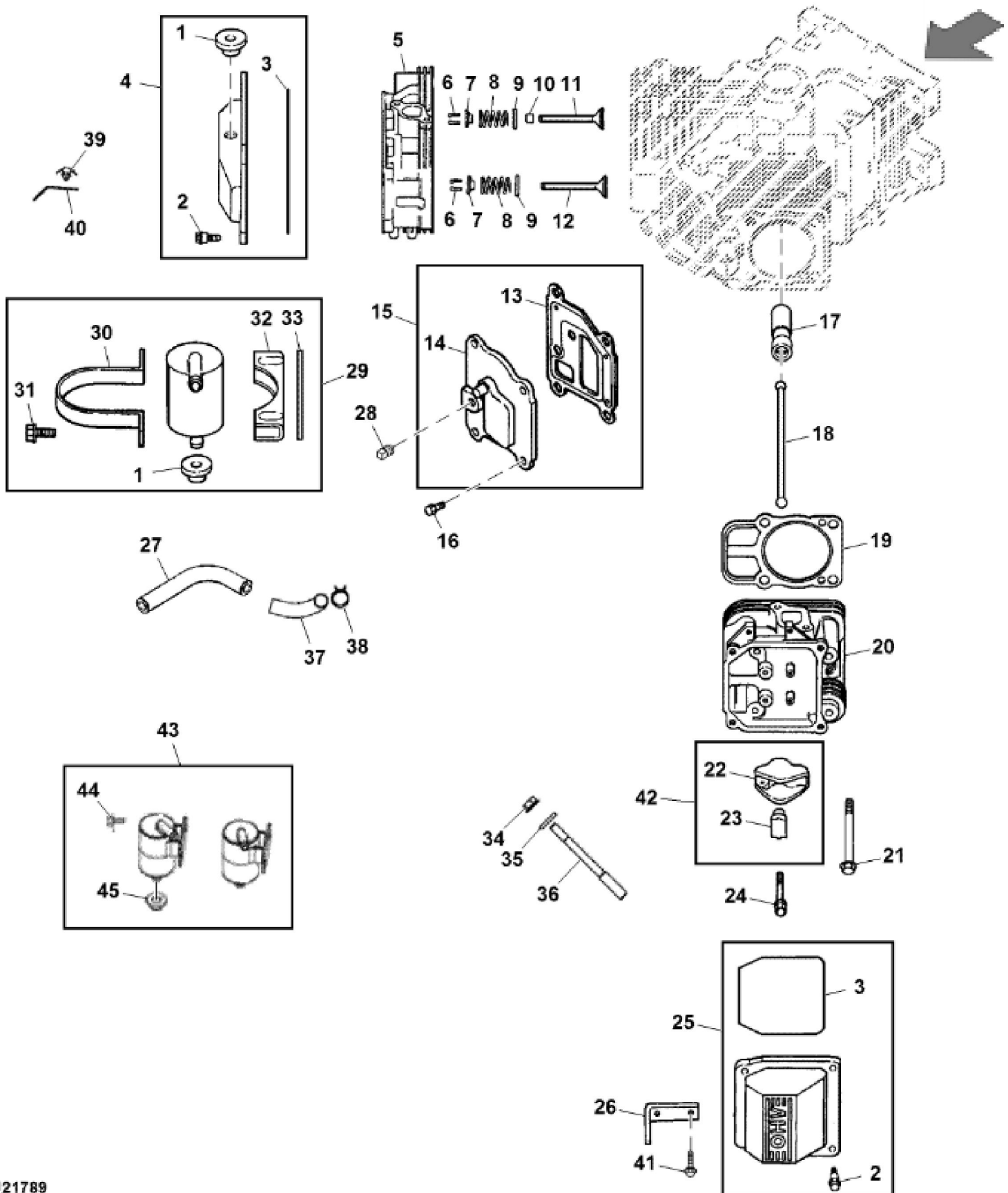


PU18948

KEY	PART NO.	PART NAME	QTY	REMARKS	
1	MIA12253	GASOLINE ENGINE	1	MARKED PS-ECV740-3019: ORDER MIA13021	
1	MIA13021	GASOLINE ENGINE	1	MARKED PS-ECV-740-3042	



KEY	PART NO.	PART NAME	QTY	REMARKS
1	M148338	GROMMET	1	
2	M132402	SCREW	4	
3	MIU11443	O-RING	1	
4	AM134352	COVER KIT	1	Valve
5	MIA12198	CYLINDER HEAD	1	MARKED PS-ECV740-3019; No -1
5	MIA12797	CYLINDER HEAD	1	MARKED PS-ECV-740-3042; No -1
6	AM107043	RETAINER	4	
7	M92203	CAP	4	
8	M132352	SPRING	4	
9	M43123	RETAINER	4	
10	M146775	SEAL	2	ORDER MIU14137; SUB FOR M92202
10	MIU14137	SEAL	2	
11	M132353	INTAKE VALVE	2	
11	M132354	INTAKE VALVE	2	OS
12	M132355	EXHAUST VALVE	2	STD
12	M132356	EXHAUST VALVE	2	OS
13	MIU12491	GASKET	1	
14	MIU13277	COVER	1	
15	AM126260	BREATHER KIT	1	
16	37M7131	SCREW	4	M6 X 20
16	MIU14036	SCREW	4	USE WITH MIA12253
17	MIU13278	VALVE LIFTER	4	USE WITH MIA12253
17	MIU14140	VALVE LIFTER	1	USE WITH MIA13021
18	M132357	PUSH ROD	4	
19	MIU13276	GASKET	2	Cylinder Head
20	MIA12199	CYLINDER HEAD	1	MARKED PS-ECV740-3019; No -2
20	MIA12798	CYLINDER HEAD	1	MARKED PS-ECV-740-3042; No -2
21	19M7811	SCREW	8	M10 X 90
22	M131133	ROCKER ARM	4	
23	MIU11263	PIVOT	4	
24	M120564	SCREW	4	
25	AM134290	COVER KIT	1	LH
26	MIU12948	STRAP	1	
27	MIU13212	BREATHER	1	
28	15H558	PIPE PLUG	1	1/8"

KEY	PART NO.	PART NAME	QTY	REMARKS
29	AM126265	SEPARATOR KIT	1	ORDER MIA12725; Breather Separator
30	M134912	STRAP	1	ORDER MIA12725
31	MIU14033	SCREW	2	
32	M134913	BRACKET	1	
33	M134914	SPACER	1	
34	M143944	NUT	4	
35	M143943	WASHER	8	
36	M143942	STUD	8	
37	MIU11933	SLEEVE	1	
38	MIU13214	HOSE CLAMP	1	
39	MIU13213	CLIP	1	
40	MIU13211	BRACKET	1	
41	37M7091	SCREW	1	M6 X 25
42	AM125389	VALVE TRAIN KIT	1	INCLUDES M132357
43	MIA12725	SEPARATOR KIT	1	Breather Separator
44	MIU12950	SCREW	2	
45	MIU13209	GROMMET	1	
46	MIU14027	SCREW	1	(Not Illustrated)
47	MIA10892	CYLINDER KIT	1	(Not Illustrated) INCLUDES MIU14137, M132353, M132355, (2) M92203, (2) M132352, (2) M43123, (2) M132357, (4) AM107043, (4) M131133, (4) MIU11263 AND (4) M120564
48	MIU14032	SCREW	1	(Not Illustrated)
49	MIU11545	LUBRICANT	1	(Not Illustrated)



Thank you so much for reading.  
Please click the “Buy Now!”  
button below to download the  
complete manual.



After you pay.

You can download the most  
perfect and complete manual in  
the world immediately.

Our support email:

[ebooklibonline@outlook.com](mailto:ebooklibonline@outlook.com)