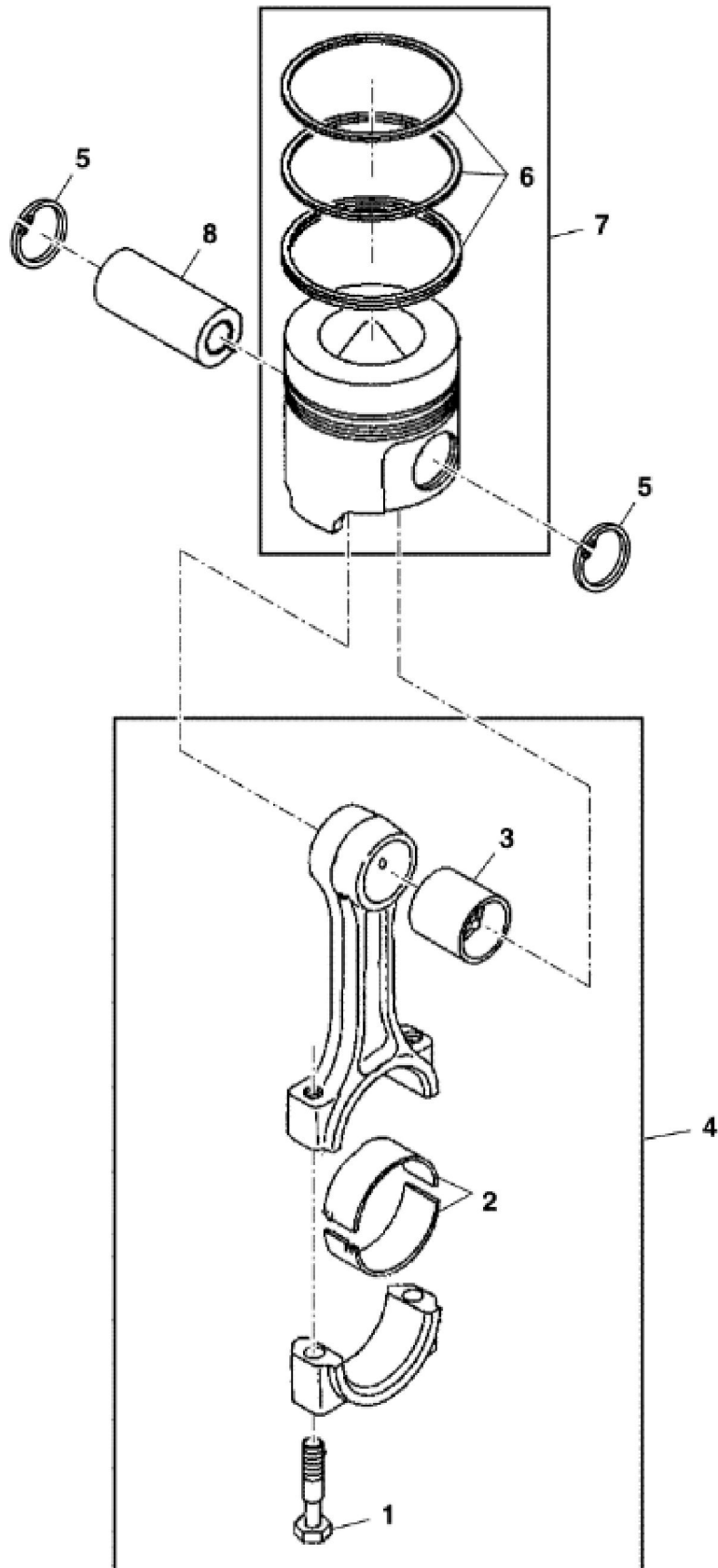


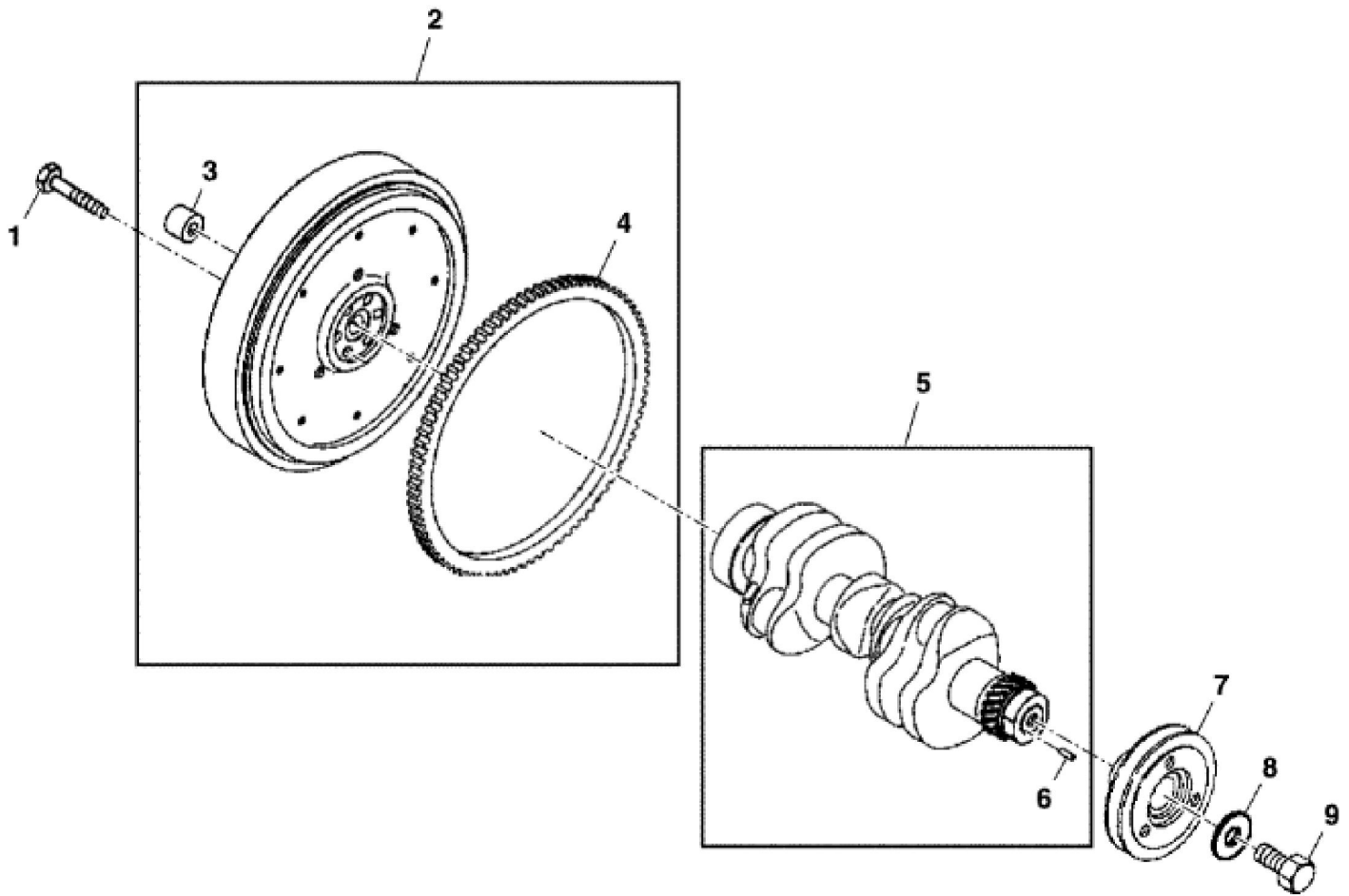
PULV103807

KEY	PART NO.	PART NAME	QTY	REMARKS	
1	M800970	BOLT	14	Cylinder Head	
2	M810048	ENGINE CYLINDER HEAD GASKET	1		
3	AM881997	CYLINDER BLOCK	1	Assy	
4	CH10335	PLUG	3		
5	CH10314	PLUG	1		
6	M802255	PIN	4	8 X 16	
7	M809565	DRAIN PLUG	1		
8	CH18079	SPRING PIN	2		
9	30M7023	PLUG	6	Cap, Metal	
10	15H562	PIPE PLUG	1	1"	
11	M800977	BUSHING	1	Camshaft	
12	M811055	SHAFT	1	Idler	
13	19M8317	BOLT	3	M8x1.25x40-10.9	
14	M87801	PLUG	2		
15	M800974	PIPE	2	Gear Case	
16	MIA880559	BEARING	4	Main Assy	
17	M87879	BOLT	8	Main Bearing Cap	
18	M811352	SPACER	1		
19	MIA882679	SHORT BLOCK ASSEMBLY	1	MARKED 3TNV82A-MJKE1; Not Illustrated	



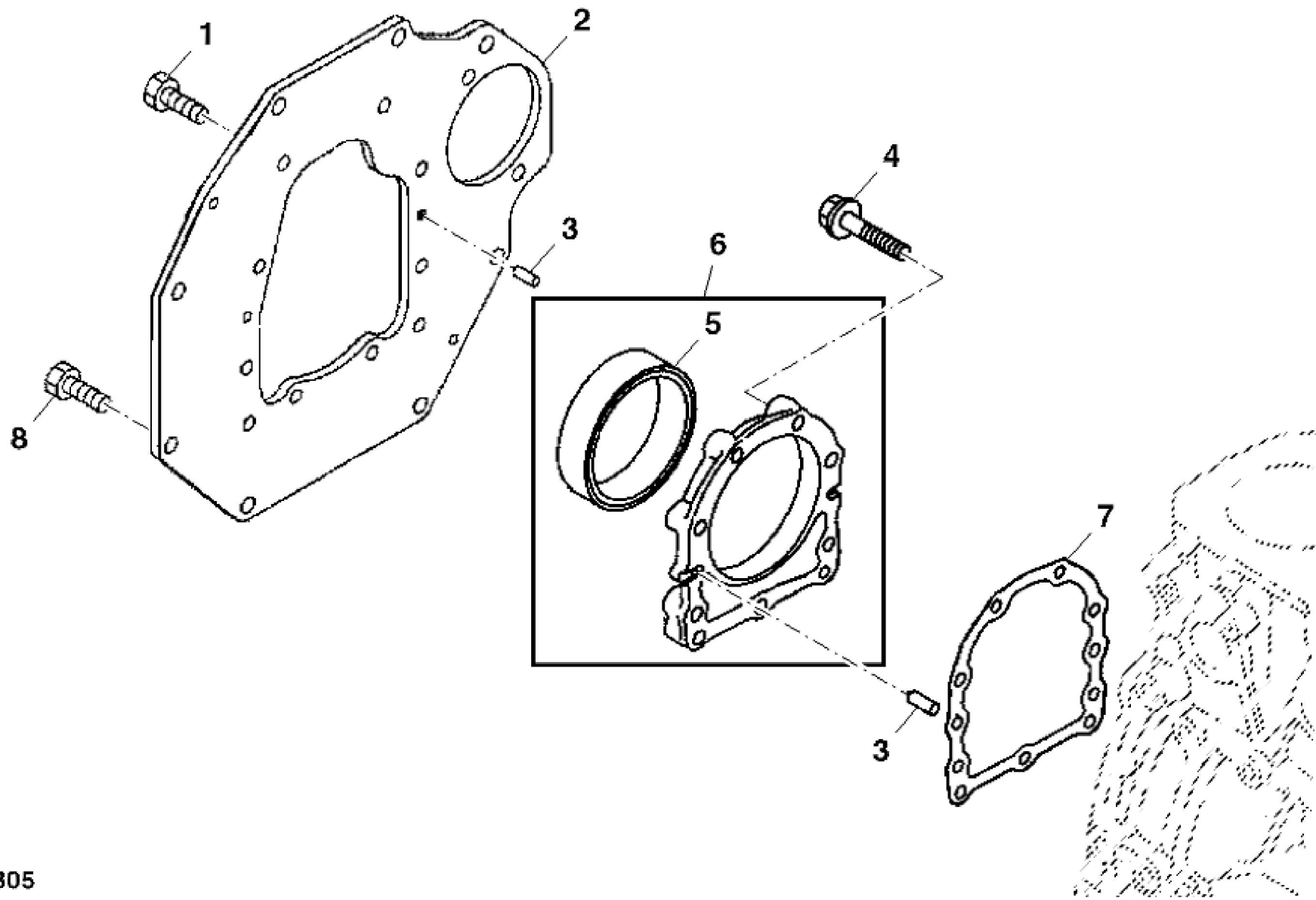
PULV103634

KEY	PART NO.	PART NAME	QTY	REMARKS	
1	M801068	BOLT	2	Rod	
2	MIA880562	BEARING	1	Crank	
2	MIA880567	BEARING	1	.25 mm	
3	M801075	BEARING	1	Piston Pin	
4	AM875320	CONNECTING ROD	3	Rod Assembly	
5	RG60161	SNAP RING	6		
6	AM881986	PISTON RING KIT	1	STD	
6	AM881988	PISTON RING KIT	1	.25 mm, OS	
7	AM881985	PISTON REPLACEMENT KIT	3	STD	
7	AM881987	PISTON REPLACEMENT KIT	3	.25 mm, OS	
8	M806430	PISTON PIN	3		



PULV103635

KEY	PART NO.	PART NAME	QTY	REMARKS	
1	CH19291	BOLT	6		
2	MIA880120	FLYWHEEL	1		
3	M807344	BEARING	1		
4	.....	RING GEAR	1		
5	AM882531	CRANKSHAFT	1		
6	CH15575	PIN	1		
7	M811533	PULLEY	1		
8	M801055	WASHER	1		
9	CH16798	BOLT	1		



PULV103805

Thank you so much for reading.  
Please click the “Buy Now!”  
button below to download the  
complete manual.



After you pay.

You can download the most  
perfect and complete manual in  
the world immediately.

Our support email:

[ebooklibonline@outlook.com](mailto:ebooklibonline@outlook.com)