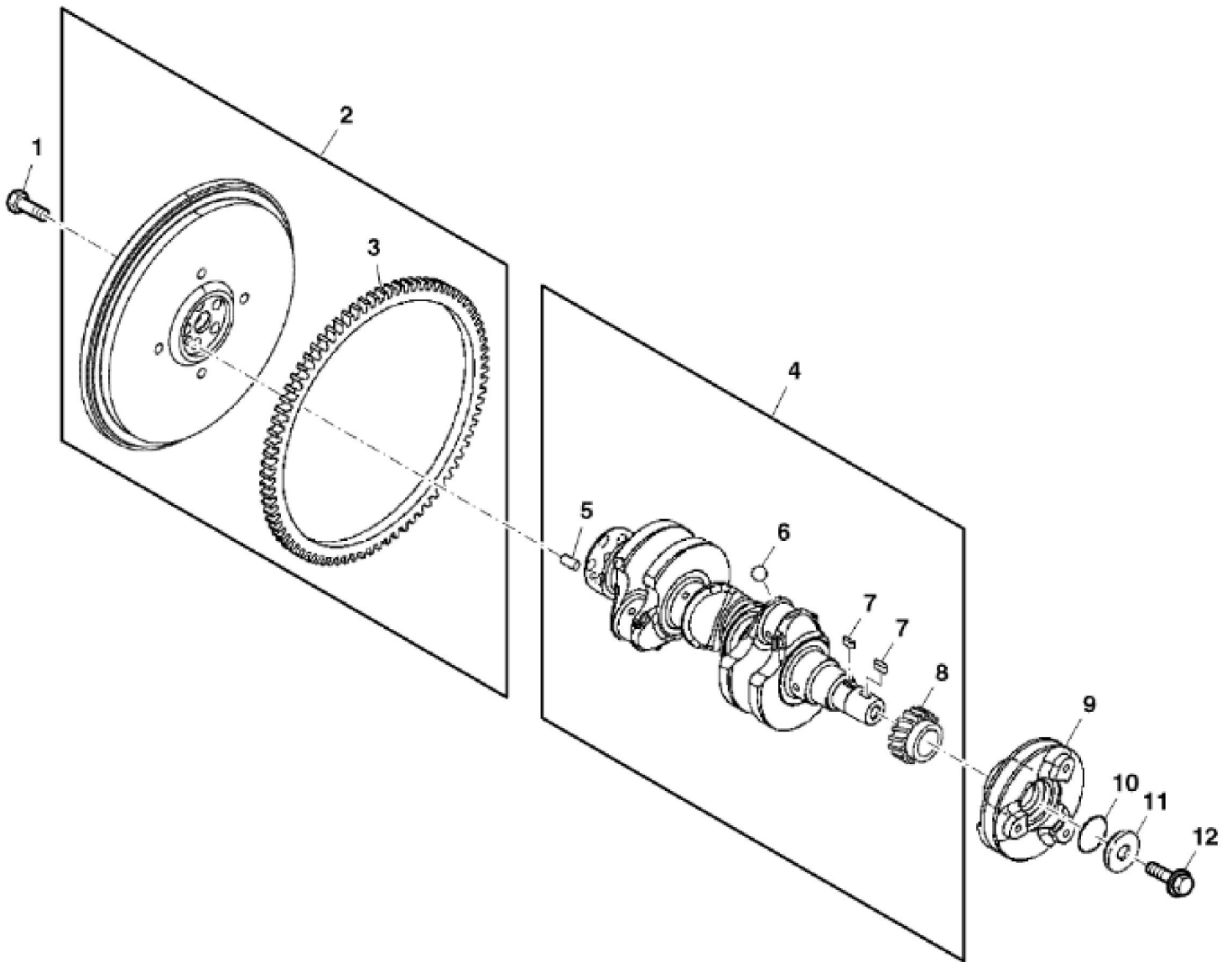
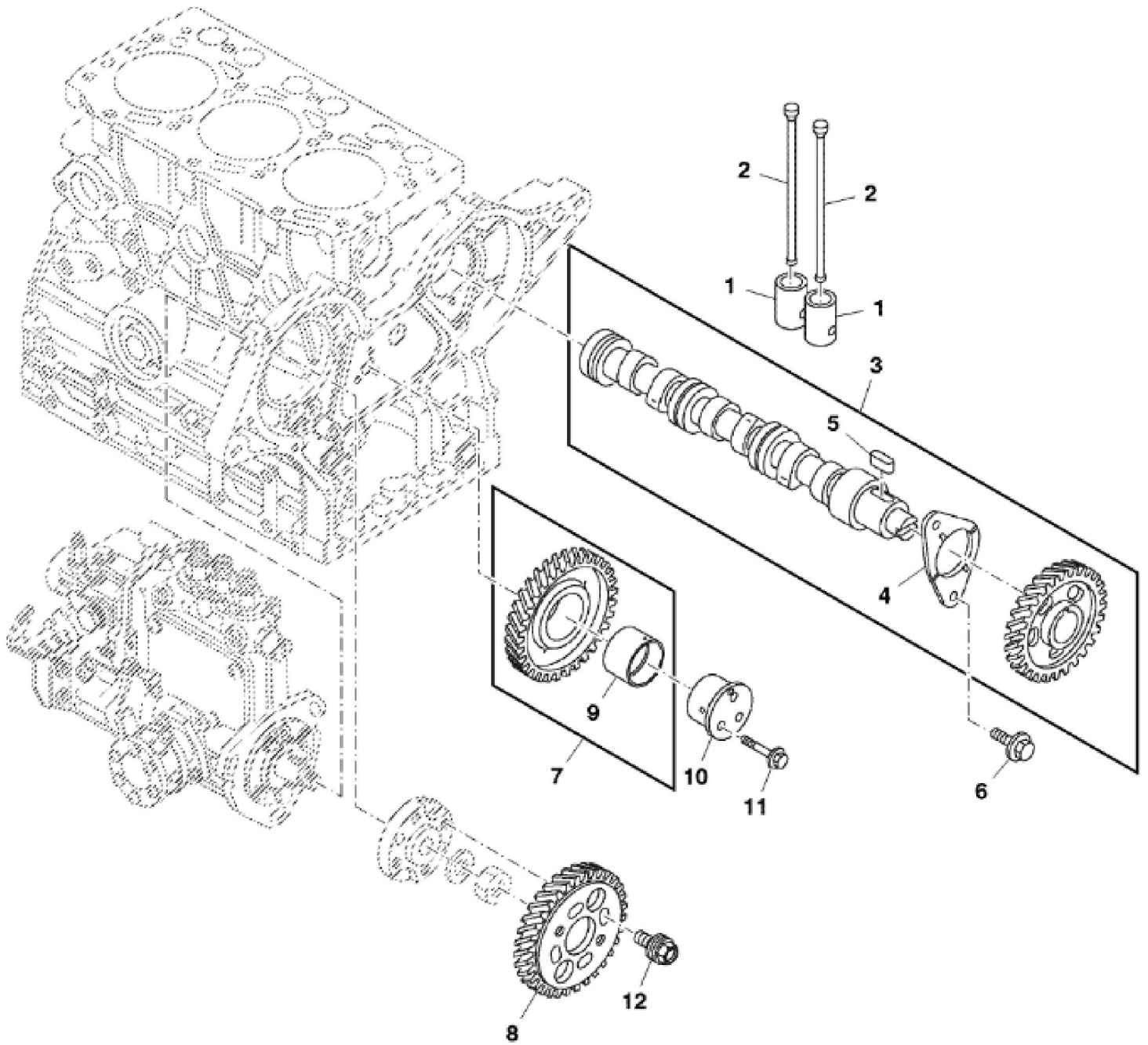


KEY	PART NO.	PART NAME	QTY	REMARKS
1	MIA880096	CYLINDER BLOCK	1	
2	CH10314	PLUG	1	
3	M811805	PLUG	4	
4	M809593	PLUG	1	
5	CH10335	PLUG	1	
6	M811807	PLUG	3	
7	M87879	BOLT	8	
8	MIU800572	CAMSHAFT	1	
9	M87801	PLUG	1	
10	M802255	PIN	2	
11	M800006	DOWEL PIN	2	
12	MIA880551	BEARING	4	
12	AM882418	BEARING	4	
13	AM882419	THRUST BEARING	2	
13	MIA880557	BEARING	2	
14	M811882	SHAFT	1	Idler Gear
15	CH18079	SPRING PIN	2	
16	M87871	BOLT	3	
17	M800970	BOLT	14	
18	MIU802007	GASKET	1	

KEY	PART NO.	PART NAME	QTY	REMARKS	
1	AM882431	CONNECTING ROD	3		
2	M811877	BOLT	2		
3	MIA880561	BEARING	1		
3	MIA880566	BEARING	1		
4	M811880	BUSHING	1		
5	AM882426	PISTON	3		
5	AM882430	PISTON	3		
6	AM882428	PISTON RING KIT	1		
6	AM882429	PISTON RING KIT	1		
7	CH11486	RING	6		
8	M811869	PISTON PIN	3		



KEY	PART NO.	PART NAME	QTY	REMARKS	
1	M87887	BOLT	5		
2	AM875090	FLYWHEEL	1		
3	M88025	RING GEAR	1		
4	AM882425	CRANKSHAFT	1		
5	M802255	PIN	4		
6	400R	BALL	1		
7	M87812	SHAFT KEY	2		
8	M811864	GEAR	1		
9	M811947	PULLEY	1		
10	CH17827	O-RING	1	ORDER MIU802534	
10	MIU802534	WASHER	1	(Not Illustrated)	
11	M811865	WASHER	1	ORDER MIU802535	
11	MIU802535	WASHER	1		
12	MIU801499	BOLT	1		



Thank you so much for reading.
Please click the “Buy Now!”
button below to download the
complete manual.



After you pay.

You can download the most
perfect and complete manual in
the world immediately.

Our support email:

ebooklibonline@outlook.com