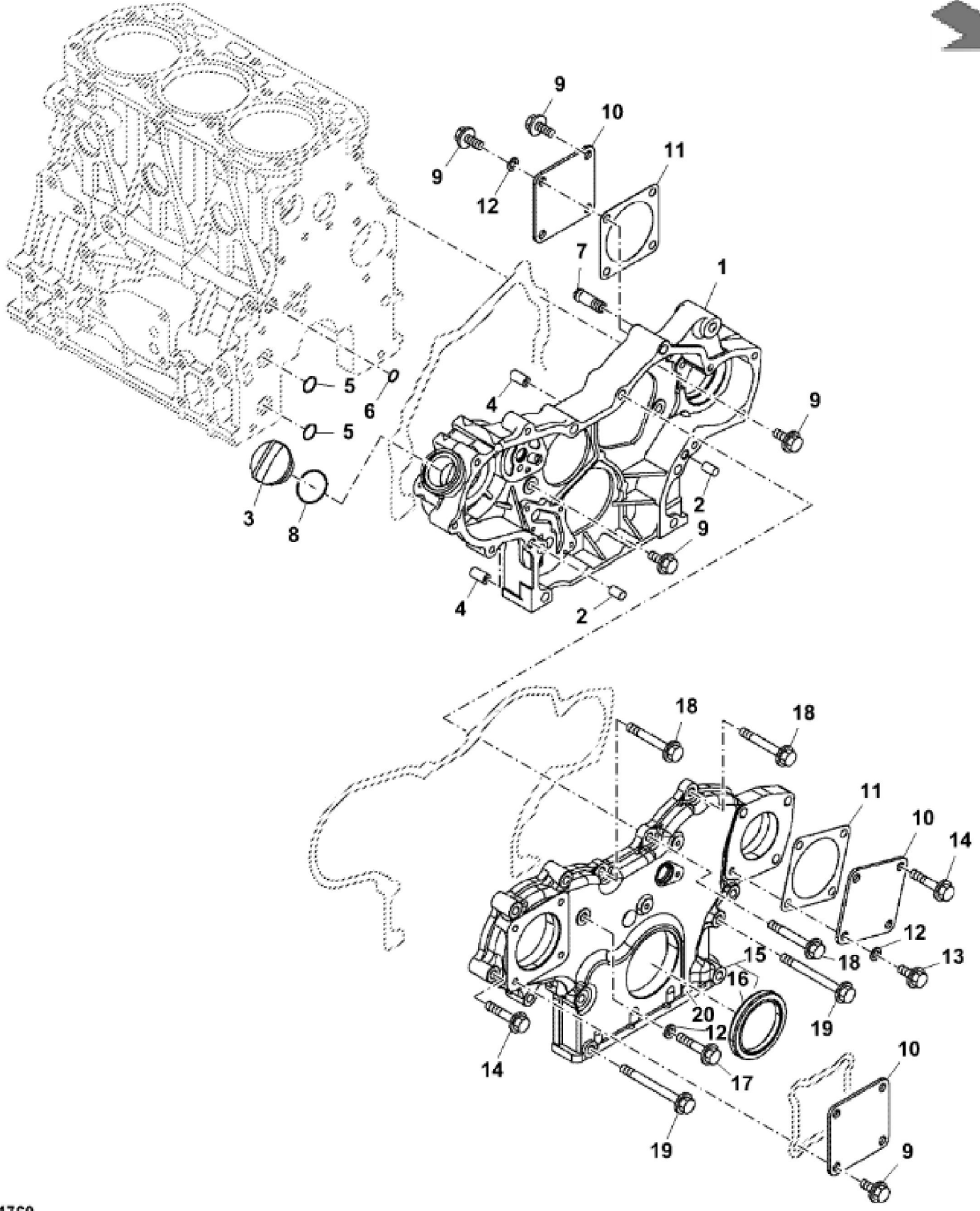


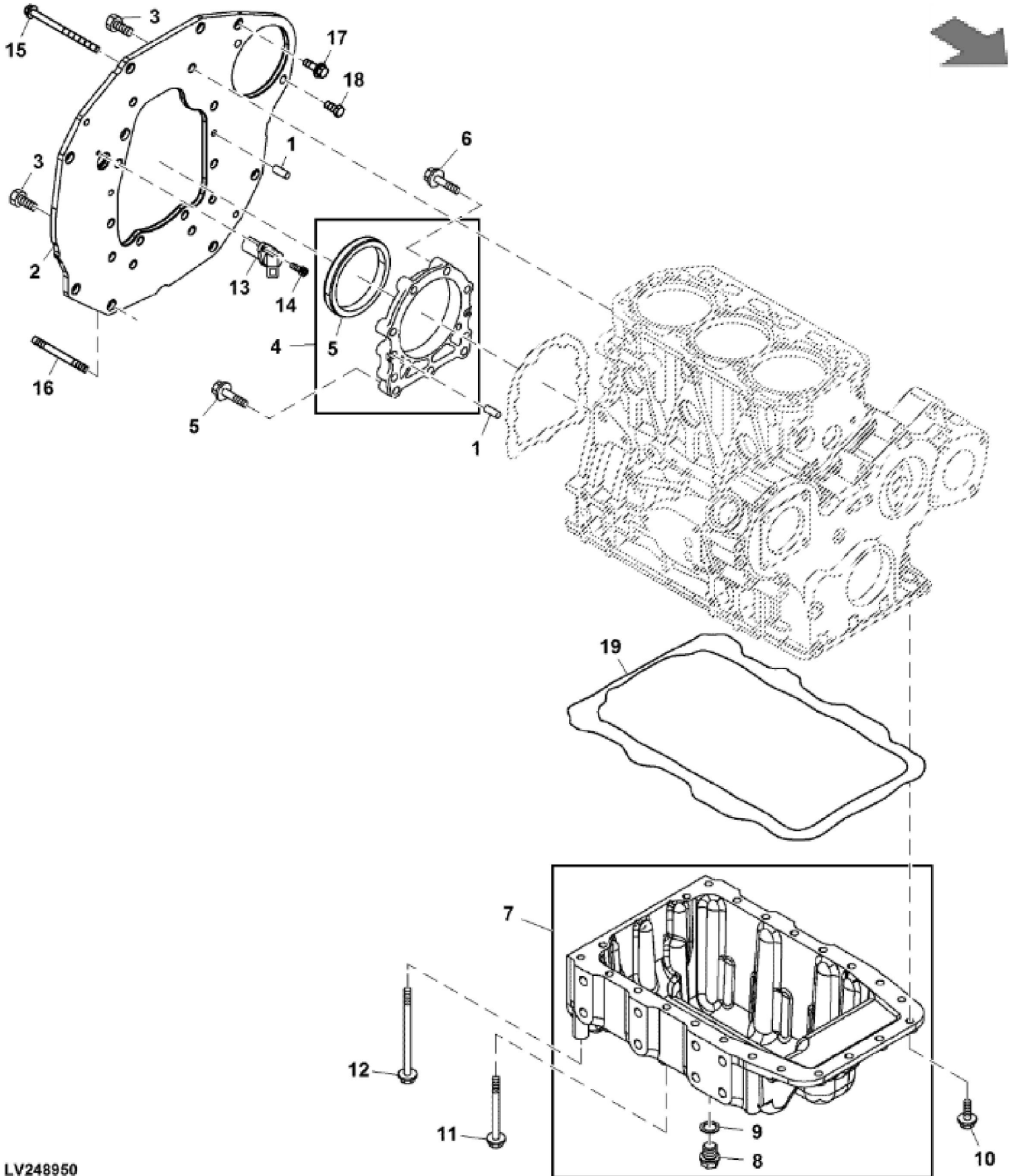
LV291785

KEY	PART NO.	PART NAME	QTY	REMARKS	
1	MIA882899	CYLINDER BLOCK	1		
2	M809565	DRAIN PLUG	1		
3	15H562	PIPE PLUG	1	1"	
4	M801189	BOLT	8		
5	MIA882898	GASKET KIT	1		
6	MIA880554	BEARING	4	(Spare Part)	
6	MIA880550	BEARING	4	(Under Sized (U.S=0.25) Part)	
7	MIU800573	CAMSHAFT	1		
8	30M7023	PLUG	6		
9	CH10314	PLUG	1		
10	CH10335	PLUG	3		
11	M87801	PLUG	1		
12	MIA880555	BEARING	2		
12	MIA882809	BEARING KIT	1	(Over Sized (O.S=0.25) Part)	
13	M801186	BOLT	14		
14	MIA13159	DIESEL ENGINE	1	Not Illustrated MARKED 3TNV88C-MJT; SUB FOR MIA12013	



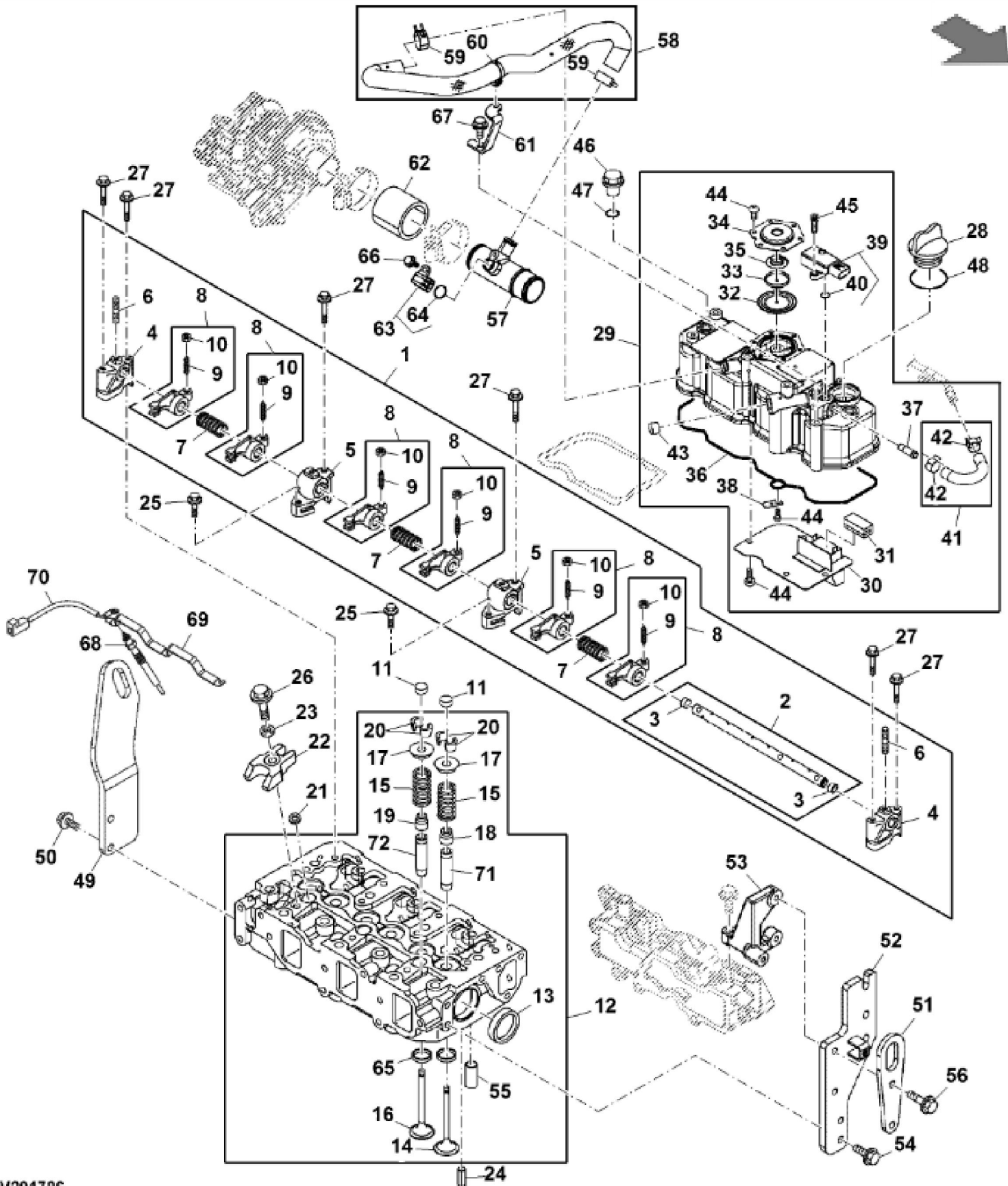
LV291760

KEY	PART NO.	PART NAME	QTY	REMARKS	
1	MIU803239	GEAR CASE	1		
2	M802255	PIN	2		
3	M805710	CAP	1		
4	M800974	PIPE	2		
5	M810185	O-RING	2		
6	M809204	O-RING	1		
7	T110730	UNIVERSAL JOINT	1		
8	M805711	PACKING	1		
9	19M7865	SCREW	11	M8 X 16	
10	CH18096	COVER	3		
11	MIU802578	GASKET	2		
12	M803523	WASHER	3		
13	CH19780	BOLT	1		
14	19M7897	SCREW	8	M8 X 35	
15	MIA882962	COVER KIT	1		
16	M811078	SEAL	1		
17	19M7979	SCREW	1	M8 X 55	
18	19M7801	SCREW	3	M8 X 60	
19	CH19136	BOLT	4		
20	MIU803224	COVER	1		



LV248950

KEY	PART NO.	PART NAME	QTY	REMARKS	
1	M802255	PIN	4		
2	MIU803208	FLANGE	1		
3	M800011	BOLT	8		
4	AM875375	CASE	1		
5	M805278	SEAL	1		
6	M808308	BOLT	9		
7	AM880870	OIL PAN	1		
8	T111565	PLUG	1		
9	M811568	WASHER	1		
10	CH19085	BOLT	6		
11	CH19136	BOLT	12		
12	T111562	BOLT	4		
13	MIU802138	SENSOR	1		
14	19M8553	SCREW	1	M6 X 16	
15	H170071	SCREW	2		
16	LVU16856	STUD	2		
17	W51614	SELF-LOCKING SCREW	4		
18	19M7872	CAP SCREW	2	M12 X 25	
19	M64850	SEALANT	1		



LV291786

Thank you so much for reading.
Please click the “Buy Now!”
button below to download the
complete manual.



After you pay.

You can download the most
perfect and complete manual in
the world immediately.

Our support email:

ebooklibonline@outlook.com