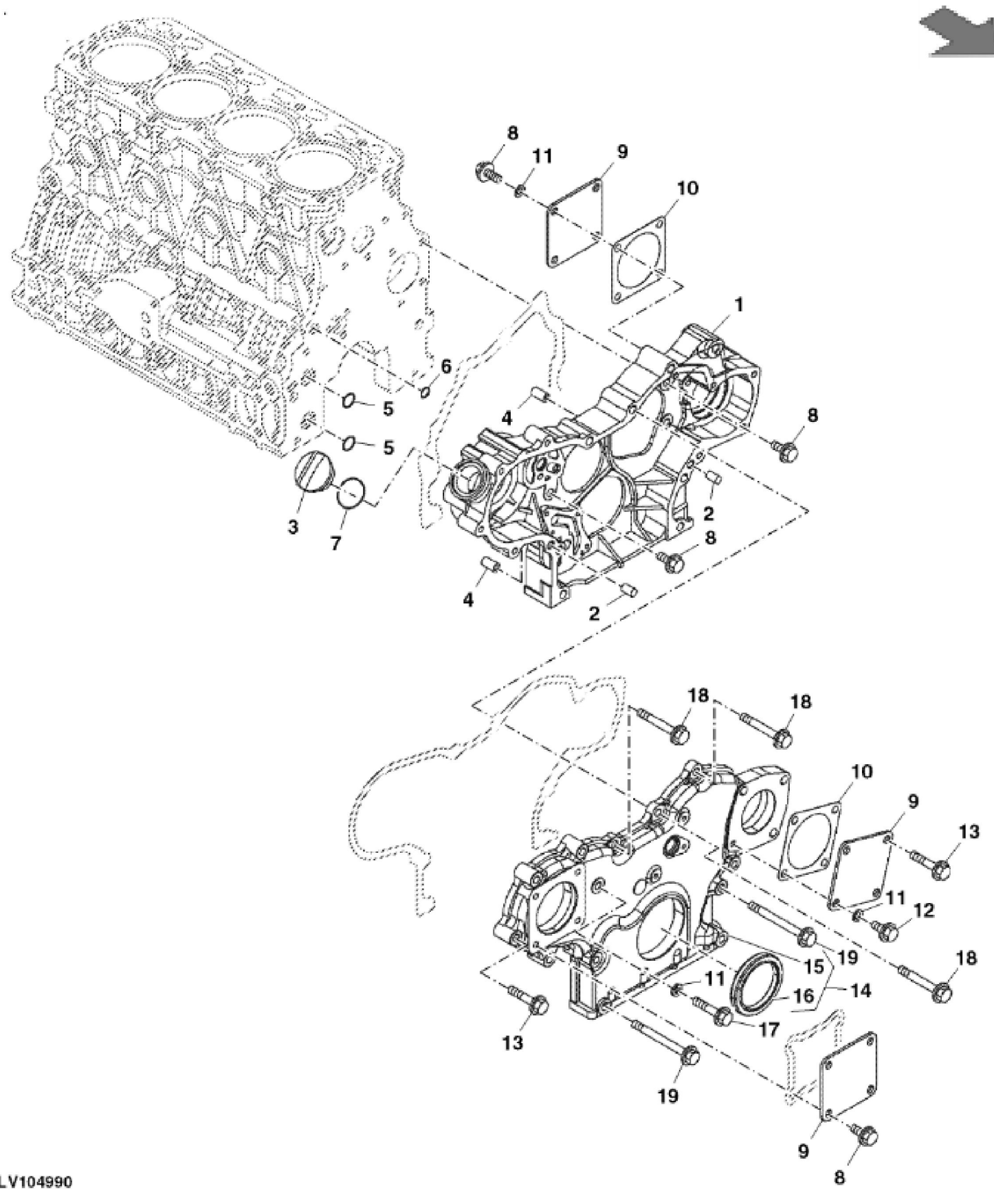


PULV104989

| KEY | PART NO. | PART NAME | QTY | REMARKS | |
|-----|-----------|----------------|-----|--|--|
| 1 | MIA883060 | CYLINDER BLOCK | 1 | | |
| 2 | M809565 | DRAIN PLUG | 1 | | |
| 3 | 15H562 | PIPE PLUG | 1 | 1" | |
| 4 | M801189 | BOLT | 10 | | |
| 5 | MIU800573 | CAMSHAFT | 1 | | |
| 6 | 30M7023 | PLUG | 8 | | |
| 7 | CH10314 | PLUG | 1 | | |
| 8 | CH10335 | PLUG | 3 | | |
| 9 | MIA880555 | BEARING | 2 | | |
| 9 | MIA882809 | BEARING KIT | 1 | OS | |
| 10 | M87801 | PLUG | 1 | | |
| 11 | M801186 | BOLT | 18 | | |
| 12 | MIA882027 | GASKET KIT | 1 | | |
| 13 | M811307 | PLUG | 1 | | |
| 14 | MIA880554 | BEARING | 5 | Spare Part | |
| 14 | MIA880550 | BEARING | 5 | US | |
| 14 | AM875371 | BEARING KIT | 5 | | |
| .. | MIA13149 | DIESEL ENGINE | 1 | MARKED 4TNV86CHT-MJT; SUB FOR MIA13034 | |

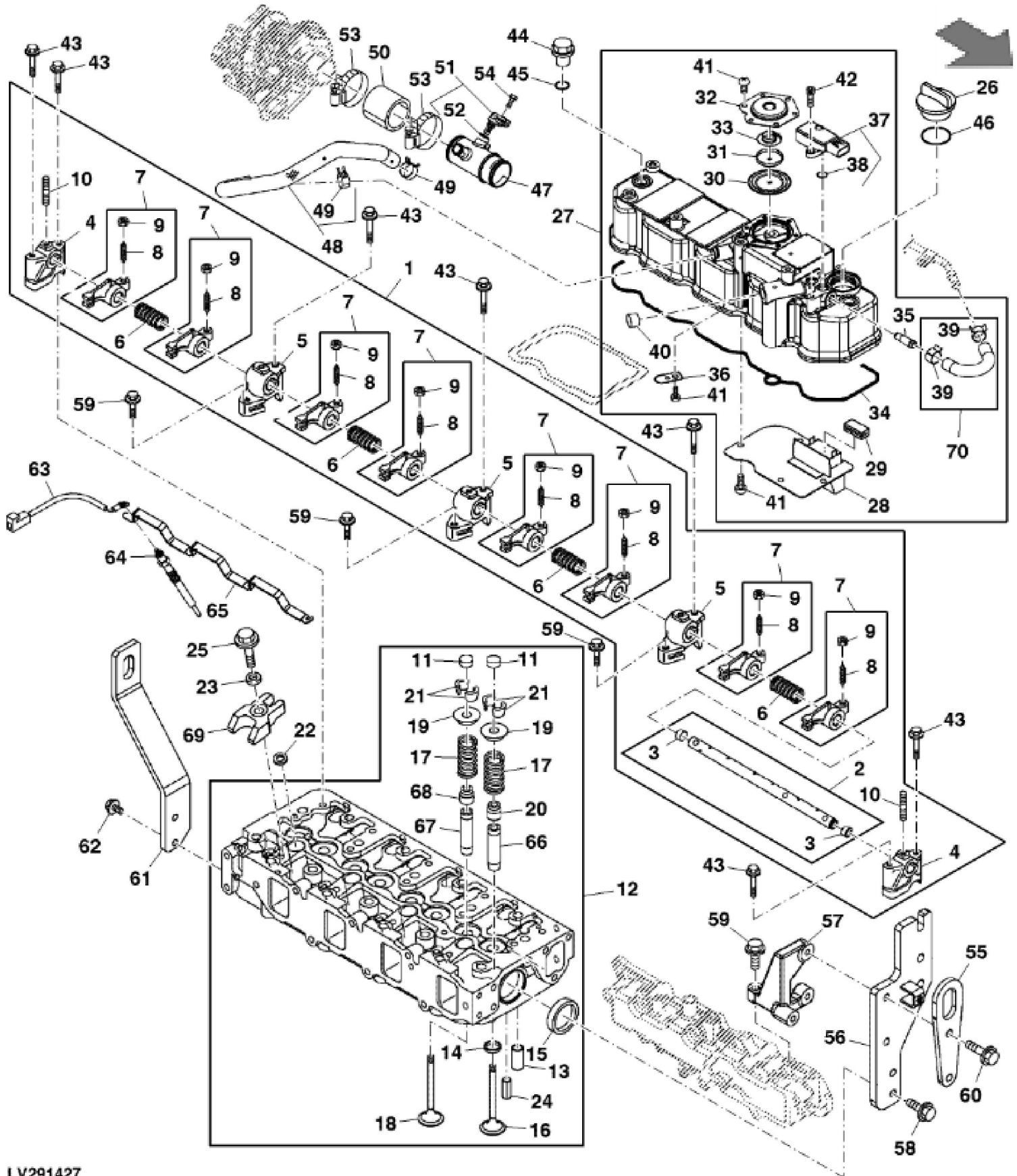


PULV104990

| KEY | PART NO. | PART NAME | QTY | REMARKS | |
|-----|-----------|-----------|-----|-----------------|--|
| 1 | MIU803207 | GEAR CASE | 1 | | |
| 2 | M802255 | PIN | 2 | | |
| 3 | M805710 | CAP | 1 | | |
| 4 | M800974 | PIPE | 2 | | |
| 5 | M810185 | O-RING | 2 | | |
| 6 | M809204 | O-RING | 1 | | |
| 7 | M805711 | PACKING | 1 | | |
| 8 | 19M7865 | SCREW | 11 | M8 X 16 | |
| 9 | CH18096 | COVER | 3 | | |
| 10 | MIU802578 | GASKET | 2 | | |
| 11 | M803523 | WASHER | 3 | | |
| 12 | CH19780 | BOLT | 1 | | |
| 13 | 19M8317 | SCREW | 8 | M8 X 40 | |
| 14 | MIA882962 | COVER KIT | 1 | | |
| 15 | MIU803224 | COVER | 1 | | |
| 16 | M811078 | SEAL | 1 | | |
| 17 | CH19090 | BOLT | 1 | SUB FOR 19M7897 | |
| 18 | 19M7801 | SCREW | 3 | M8 X 60 | |
| 19 | CH19136 | BOLT | 4 | | |

John Deere > Turf And Utility >TRACTOR, COMPACT UTILITY >4TNV86CHT - TRACTOR, COMPACT UTILITY >4066R Compact Utility Tractor >20 ENGINE >ST771060 - FLYWHEEL HOUSING AND OIL SUMP

| KEY | PART NO. | PART NAME | QTY | REMARKS |
|-----|-----------|------------|-----|----------|
| 1 | M802255 | PIN | 4 | |
| 2 | MIU803279 | FLYWHEEL | 1 | |
| 3 | 19M7402 | CAP SCREW | 8 | M10 X 25 |
| 4 | MIU803597 | OIL PAN | 1 | |
| 5 | AM881955 | COVER | 1 | |
| 6 | T111565 | PLUG | 1 | Drain |
| 7 | M811568 | WASHER | 1 | |
| 8 | T110645 | PIPE | 1 | |
| 9 | 19M7864 | SCREW | 20 | M8 X 12 |
| 10 | CH19136 | BOLT | 8 | |
| 11 | CH19093 | BOLT | 14 | |
| 12 | T111562 | BOLT | 4 | |
| 13 | M808308 | BOLT | 9 | |
| 14 | 19M8553 | SCREW | 1 | M6 X 16 |
| 15 | 44M7131 | DOWEL PIN | 2 | |
| 16 | 19M7815 | SCREW | 5 | M12 X 60 |
| 17 | LVU25337 | SCREW | 2 | |
| 18 | M132855 | PLATE | 1 | |
| 19 | LVU26821 | ROD | 2 | |
| 20 | 14M7299 | FLANGE NUT | 2 | M12 |
| 21 | MIU802138 | SENSOR | 1 | |
| 22 | M64850 | SEALANT | 1 | |
| 23 | AM875375 | CASE | 1 | |
| 24 | M805278 | SEAL | 1 | |



Thank you so much for reading.
Please click the “Buy Now!”
button below to download the
complete manual.



After you pay.

You can download the most
perfect and complete manual in
the world immediately.

Our support email:

ebooklibonline@outlook.com