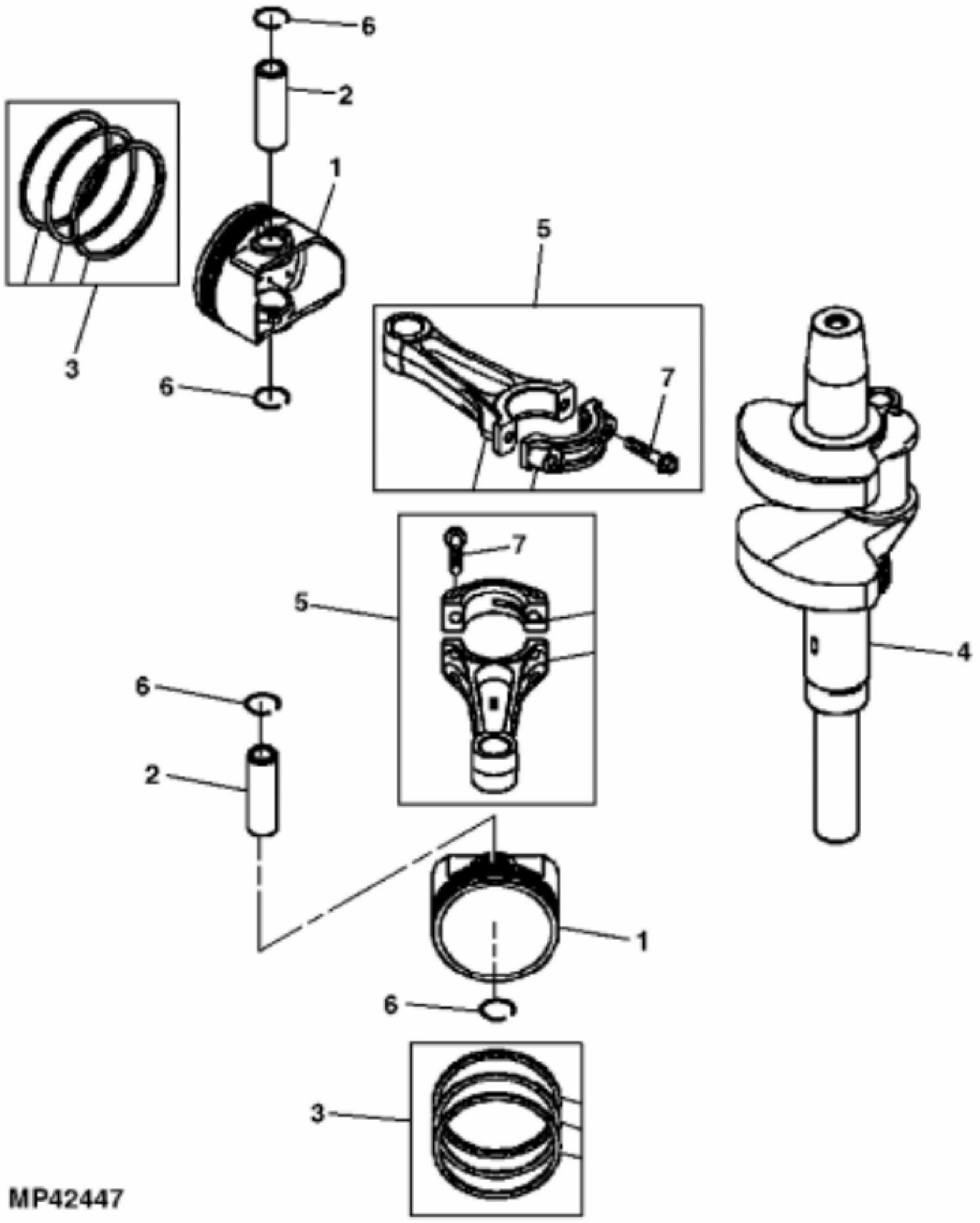


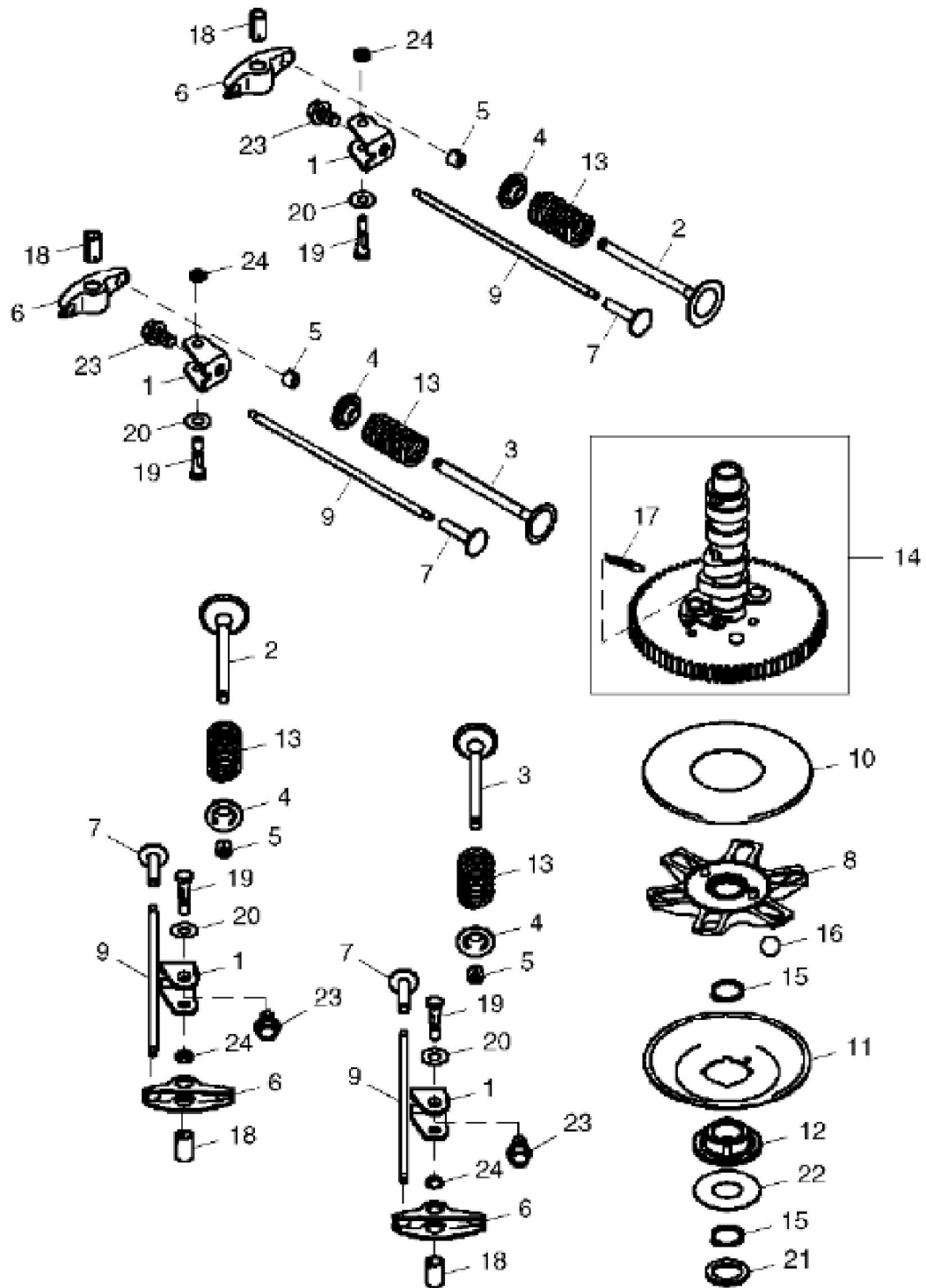
PU20040

KEY	PART NO.	PART NAME	QTY	Serial No.	REMARKS	
1	MIA12252	GASOLINE ENGINE	1		Gas, MARKED FX730V-AS2	
2	19H3693	SCREW	4		3/8" X 1-1/4", SUB FOR TCU39256	
3	21H1316	SCREW	2	____-045000	0.190" X 1/2"	
3	TCU24263	CAP SCREW	1	045001-____		
4	24M7178	WASHER	4		10.500 X 30 X 2.500 mm	



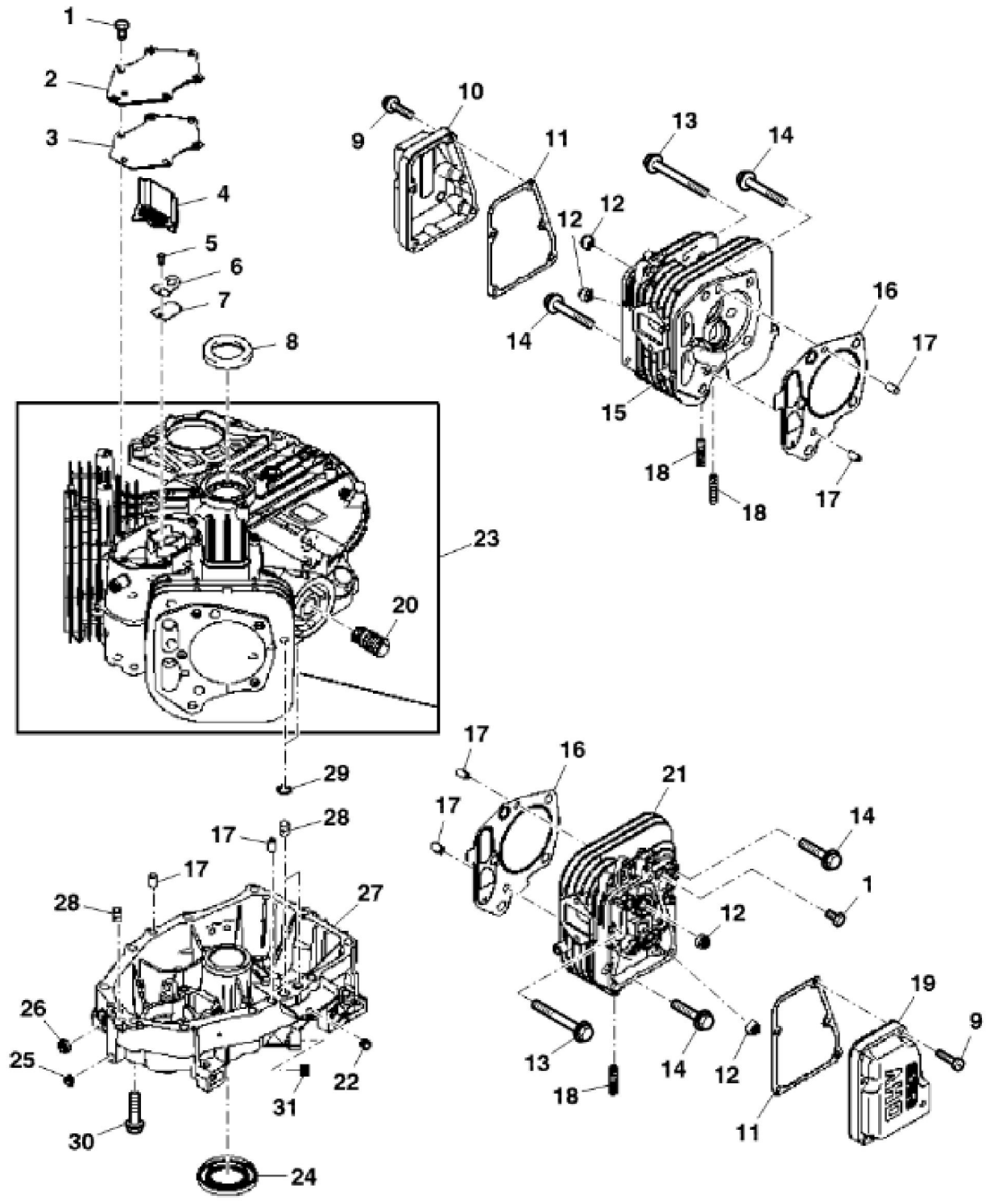
MP42447

KEY	PART NO.	PART NAME	QTY	REMARKS	
1	MIU12403	PISTON	2	Standard	
1	MIU12407	PISTON	2	0.50 mm (.010 Inch) OS	
2	MIU13270	PISTON PIN	2		
3	MIU12405	PISTON RING KIT	2	Standard	
3	MIU12406	PISTON RING KIT	2	0.50 mm (.010 Inch) OS	
4	MIU12492	CRANKSHAFT	1		
5	MIA11615	CONNECTING ROD	2		
6	MIU12408	SNAP RING	4		
7	M146763	BOLT	2		



MP64526

KEY	PART NO.	PART NAME	QTY	REMARKS
1	MIU11783	BRACKET	4	
2	MIU14406	INTAKE VALVE	2	SUB FOR MIU14003
3	MIU14407	EXHAUST VALVE	2	SUB FOR MIU13995
4	M138401	RETAINER	4	Valve Spring
5	M118845	RETAINER	8	
6	MIU14434	ROCKER ARM	4	SUB FOR M147314
7	M138403	TAPPET	4	
8	MIU12411	GUIDE	1	
9	MIU14485	PUSH ROD	4	SUB FOR MIU12412
10	M140240	PLATE	1	
11	M146880	PLATE	1	Governor
12	MIU13044	SLEEVE	1	
13	M140241	SPRING	4	Engine Valve
14	MIA11616	CAMSHAFT	1	
15	MIU14000	SNAP RING	3	
16	MIU10971	BALL BEARING	6	
17	M138413	EXTENSION SPRING	1	
18	MIU13989	SHIFT COLLAR	4	
19	MIU11795	BOLT	4	M6 X 29.5
20	M147320	WASHER	4	8.1 X 18 X 0.5
21	MIU12413	WASHER	1	16.3 X 30 X 2.28
22	M146882	WASHER	1	16 X 42 X 0.91
23	MIU11744	BOLT	4	M8 X 14, Flanged
24	14M7272	NUT	4	M6



Thank you so much for reading.
Please click the “Buy Now!”
button below to download the
complete manual.



After you pay.

You can download the most
perfect and complete manual in
the world immediately.

Our support email:

ebooklibonline@outlook.com